



Hydraulic Remote Controllers Build Program

Joysticks PCL401

Stackables PCL402

Foot Pedals PCL402

Bulletin HY14-1800/US



Introduction 3

PCL401 Joysticks 4

PCL402 Stackables 4 - 5

PCL402 Foot Pedals 5

Product Drawings 6 - 7

 PCL401 6

 PCL402 7

Forestry



Material Handling



Construction



⚠ WARNING – USER RESPONSIBILITY

FAILURE OR IMPROPER SELECTION OR IMPROPER USE OF THE PRODUCTS DESCRIBED HEREIN OR RELATED ITEMS CAN CAUSE DEATH, PERSONAL INJURY AND PROPERTY DAMAGE.

- This document and other information from Parker-Hannifin Corporation, its subsidiaries and authorized distributors provide product or system options for further investigation by users having technical expertise.
- The user, through its own analysis and testing, is solely responsible for making the final selection of the system and components and assuring that all performance, endurance, maintenance, safety and warning requirements of the application are met. The user must analyze all aspects of the application, follow applicable industry standards, and follow the information concerning the product in the current product catalog and in any other materials provided from Parker or its subsidiaries or authorized distributors.
- To the extent that Parker or its subsidiaries or authorized distributors provide component or system options based upon data or specifications provided by the user, the user is responsible for determining that such data and specifications are suitable and sufficient for all applications and reasonably foreseeable uses of the components or systems.

OFFER OF SALE

The items described in this document are hereby offered for sale by Parker-Hannifin Corporation, its subsidiaries or its authorized distributors. This offer and its acceptance are governed by the provisions stated in the detailed "Offer of Sale" elsewhere in this document or available at www.parker.com/hydraulicvalve.

SAFETY GUIDE

For safety information, see Safety Guide SG HY14-1000 at www.parker.com/safety or call 1-800-CParker.

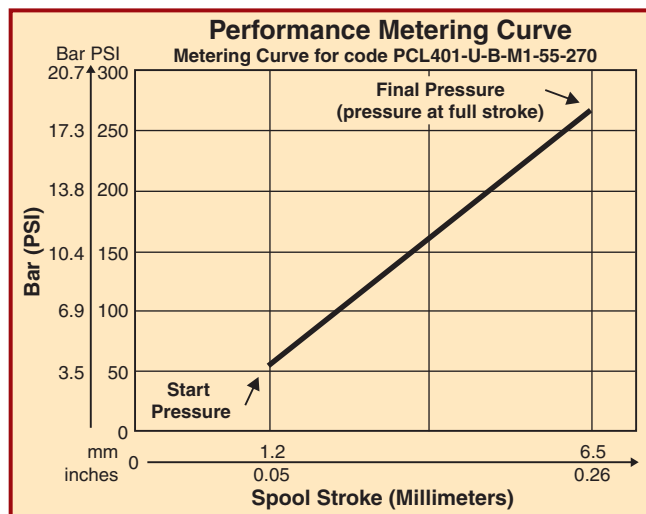
© Copyright 2012, Parker Hannifin Corporation, All Rights Reserved

Parker PCL Build Program

The PCL Build Program is designed to help a stocking distributor increase the value and services offered to their customers. This is accomplished by having the in-house capability of being responsive to your customer's needs. A wide variety of kits facilitate the conversion and customization of these controllers with a minimum amount of inventory.

Joysticks and stackable controllers have custom spring packs that are matched to our control valves and optimize controllability and machine performance.

The type of curve selected for the controllers in the program is referred to as "straight-line metering". This means that the "start pressure" and "final pressure" of the controller is linear. Here is a sample of this type of curve.



Here is a list of documentation available to support this product:

- PCL4 Catalog HY17-8357/UK
- Catalog CD HY14-1800/US – includes the bulletin, the catalog, spare parts list, service and assembly documentation, PowerPoint sales presentation, and DXF engineering drawings.



The basic kits for the program are:

- Joysticks and stackables with no handle.
- Handle kits.
- Detent kits.
- Footpedal conversion kits.
- Stud kits.
- Spring pack kits.
- Service kits.

Reference information:

Joysticks

- All ports are SAE 6.
- All ports (P,T,1,2,3,4) are located on the bottom of the housing.
- Mounting plate is code M1.
- Boots are included in the handle kits.

Stackables

- All ports are SAE 6.
- Pump and tank ports are located on the side of the housing. Ports A&B are located on the bottom of the housing.
- Mounting plate is code M3.
- Boots are included in the handle kits.

PCL401 Joystick and PCL402 Stackable Controllers

PCL401	Control Valve Match	Pressure Range (psi)		Part Number
		Start	Final	
Joystick	V10,V11,V20,V26,V42,V50,V56,V70,V86,V90	55	328	PCL401-U-B-M1-55-328
Joystick	VA/VG20, VA/VG35 & VO40	100	330	PCL401-U-B-M1-100-330
Joystick	PC25 & PC55	100	410	PCL401-U-B-M1-100-400
Joystick	F130CF, L90, P70 & VP/VPO/VPL	75	260	PCL401-U-B-M1-75-260
Joystick	F130CP	90	390	PCL401-U-B-M1-90-390
Joystick	K170 & K220	80	310	PCL401-U-B-M1-80-310
Joystick	CI & Gresen controllers metered with Forced Open	50	220	PCL401-U-B-M1-50-220-FO
Joystick	CI & Gresen controllers metered with Forced Open	100	300	PCL401-U-B-M1-100-300-FO

PCL402	Control Valve Match	Pressure Range (psi)		Part Number
		Start	Final	
Stackable	V10,V11,V20,V26,V42,V50,V56,V70,V86,V90	55	328	PCL402-U-S-M3-55-328
Stackable	VA/VG20, VA/VG35 & VO40	100	330	PCL402-U-S-M3-100-330
Stackable	PC25 & PC55	100	400	PCL402-U-S-M3-100-400
Stackable	F130CF, L90, P70 & VP/VPO/VPL	75	260	PCL402-U-S-M3-75-260
Stackable	F130CP	90	390	PCL402-U-S-M3-90-390
Stackable	K170 & K220	80	310	PCL402-U-S-M3-80-310
Stackable	CI & Gresen controllers metered with Forced Open	50	220	PCL402-U-S-M3-50-220-FO
Stackable	CI & Gresen controllers metered with Forced Open	100	300	PCL402-U-S-M3-100-300-FO
Stackable	None specific. Has bottom P&T ports	55	278	PCL402-U-B-M4-55-275

PCL401 Joystick Handle Kits

- Includes standard round boot & loose lead wires for electric switch handles

Description	Part Number
PCL401-H1B, Straight ball handle	9120059052
PCL401-H1W, Straight handle with knob and removable plastic window	9120089358
PCL401-E0, Electric switch handle with no switches	9120089507
PCL401-E1, Electric (on/off) switch handle with 2 position thumb switch	9120059053
PCL401-E2, Electric (on/off) switch handle with 3 position toggle switch	9120059054
PCL401-N0, Electric ergonomic straight handle with no switches	9120089606
PCL401-N2T, Electric (on/off) ergonomic straight handle with 2 thumb switches & 1 finger switch	9120089667
PCL401-N4T, Electric (on/off) ergonomic straight handle with 4 thumb switches & 1 finger switch	9120089613

PCL401 Handle Conversion Kits

From/To	Part Number
Tilt lt/rt stem, PCL401-TLSTEM	PCL401-TLSTEM
Straight, PCL401-STSTEM	PCL401-STSTEM

PCL402 Handle Kits

- Includes standard boot and loose leads for electric switch handles

Description	Part Number
PCL402-H3-B, Straight ball handle	9120089362
PCL402-H4-B, Bent handle with ball knob - .59" offset	9120089363
PCL402-H5B, Bent handle with ball knob - 1.18" offset	9120089364
PCL402-H6B, Bent handle with ball handle - 1.77" offset	9120089365
PCL402-H3-W, Straight handle with knob and removable plastic window	9120089367
PCL402-H4-W, Bent handle with knob and removable plastic window - .59" offset	9120089368
PCL402-H5-W, Bent handle with knob and removable plastic window - 1.18" offset	9120089369
PCL402-H6-W, Bent handle with knob and removable plastic window - 1.77" offset	9120089370
PCL402-E0, Electric switch handle with no switches	9120089538
PCL402-E1, Electric (on/off) switch handle with 2 position thumb switch	9120089372
PCL402-E2, Electric (on/off) switch handle with 3 position thumb switch	9120089373

PCL402 Stackable Controllers

PCL402 Detent Kits (use PCL402 handle kits)

Description	Part Number
PCL402-MD2, Mechanical detent for ports A&B	9120089614
PCL402-S2, Friction detent. (Note: 35mm spacer req'd if another section stacked adjacently)	9120089352
PCL402-S2-H, Lever bracket kit for code H type handle	9120089377
PCL402-S2-E, Lever bracket kit for code E type handle	9120089378

PCL402 Marine Handle Parts

Description	Part Number
PCL402-M3-SS, Mounting plate - Code M3 out of stainless steel	9120089712
PCL402-B-SS, Hand Lever - Code B out of stainless steel	9120089713

Spacer Block

35mm wide. Same as PCL402 section width. Does not include section seals.	91262411
--	----------

Footpedal Kits - converts a standard PCL402

Code F. Steel stamped footpedal with required hardware. Includes M5 mounting plate.

Description	Part Number
- PCL402-F-PK, Pedal Kit	9120089309
- PCL402-F-MBK, Mounting/Bearing Plate Assembly	9120089310
- PCL402-C6-PPS, C6 spring push pin set	9120089398

Code A36. Cast aluminum footpedal with required hardware. Includes M5 mounting plate.

Description	Part Number
- PCL402-A36-PK, Pedal Kit	9120089659
- PCL402-A36-MBK, Mounting/Bearing Plate Assembly	9120089660
- PCL402-C6-PPS, C6 spring push pin set	9120089398

Stud Kits (includes seals)

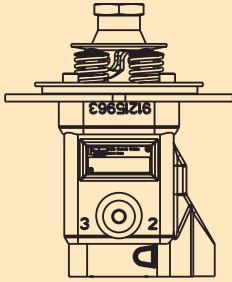
Description	Part Number
PCL402-2-SK, 2 sections	9120089359
PCL402-3-SK, 3 sections	9120089303
PCL402-4-SK, 4 sections	9120089304
PCL402-5-SK, 5 sections	9120089305
PCL402-6-SK, 6 sections	9120089306

Spring Packs

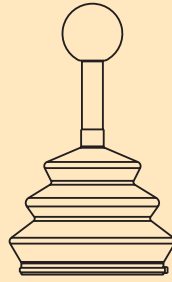
Description	Start	Final	Part Number
SP-55-328-SL, V10, V11, V20, V26, V42, V50, V56, V70, V86, V90	55	328	9126181859
SP-100-330-SL, VA/VG20, VA/VG35 & VO40	100	330	9126181824
SP-100-410-SL, PC25, PC55	100	410	9126181825
SP-75-260-SL, F130CF, L90, P70	75	260	9126181826
SP-90-400-SL, F130CP	75	400	9126181827
SP-80-310-SL, K170, K220	80	310	9126181828
Matches curve for former CI & Gresen controllers	50	220	9126181830-FO
Matches curve for former CI controllers	100	300	9126181815-FO

Service Kits

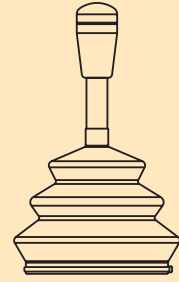
Description	Part Number
- Push pin seal kit (1 kit needed for each push pin)	9120089332
- PCL402 section seal (2 needed per section)	06636127
- PCL402 plug kit (needed to plug side P&T UNF ports)	9120089329
- PCL402 pin/bushing kit for A36 footpedal	9120089661
- Cable 3/0.34/650 MM, for code E handles, no connector	9120089681
- Cable assembly N2T, no connector	9120089683
- Cable assembly N2, no connector	9120089684
- Cable assembly N4, no connector	9120089685
- Cable assembly N4T, no connector	9120089686
- Cable assembly N4T, Deutch/640 MM	9120089687
- Cable assembly N4T, Deutch/900 MM	9120089688
- Shim Kit (4000 total pieces)	20016558



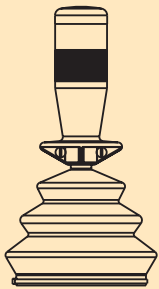
PCL401-M1



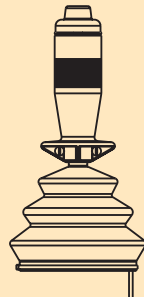
PCL401-H1B



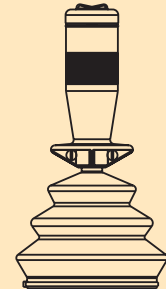
PCL401-H1W



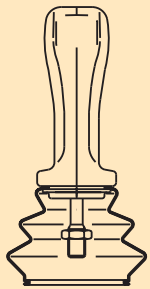
PCL401-E0



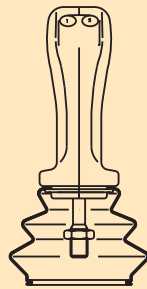
PCL401-E1



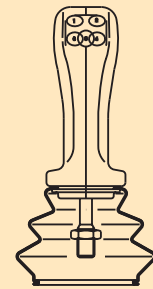
PCL401-E2



PCL401-N0



PCL401-N2T

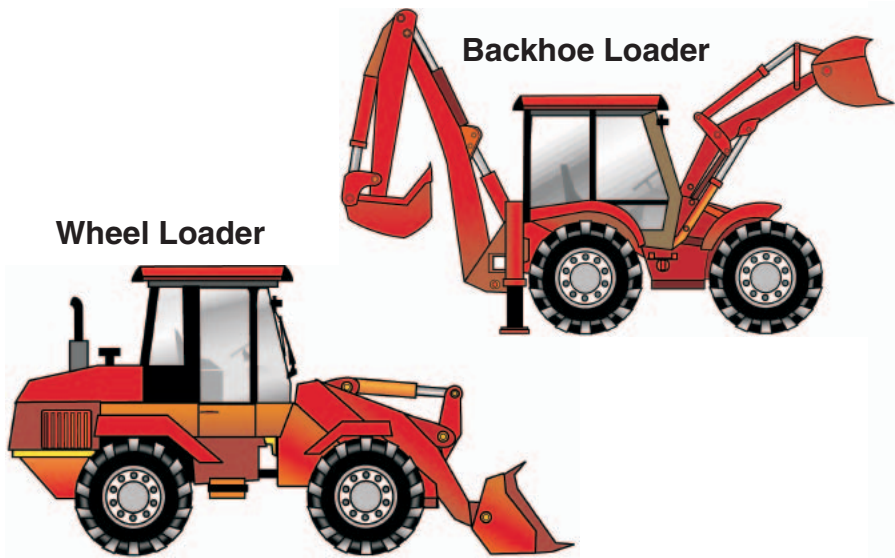
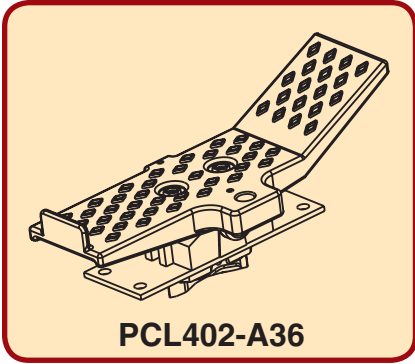
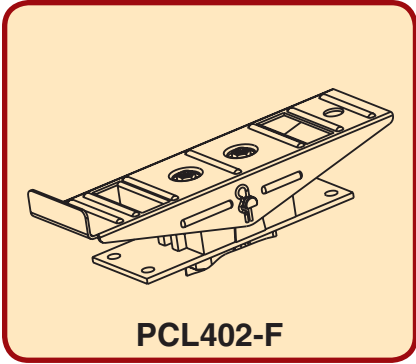
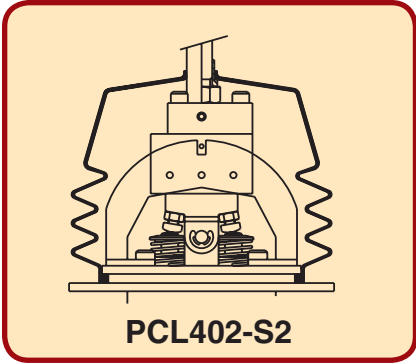
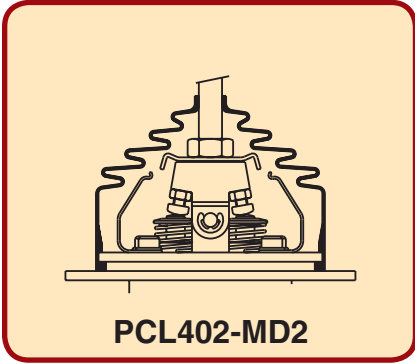
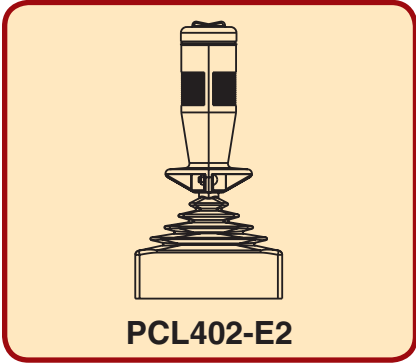
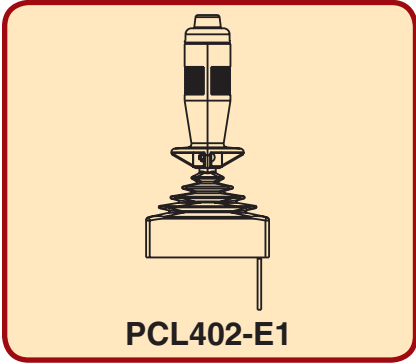
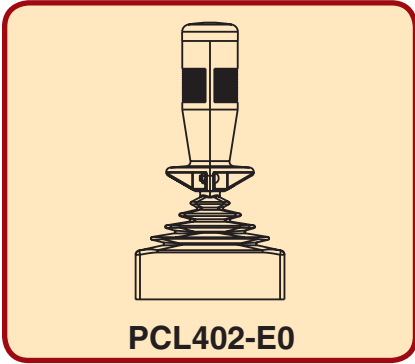
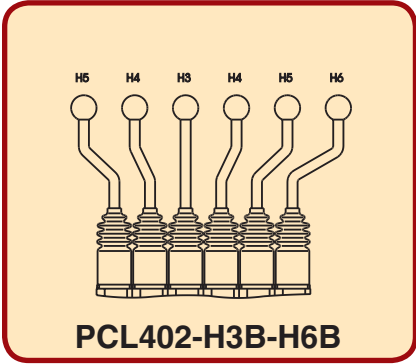
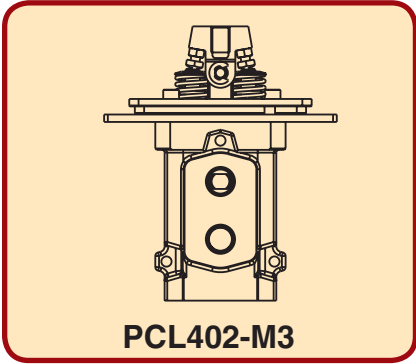


PCL401-N4T



PCL401-TLSTEM





Parker Hydraulics International Sales Offices

North America

Hydraulics Group Headquarters

6035 Parkland Boulevard
Cleveland, OH 44124-4141 USA
Tel: 216-896-3000
Fax: 216-896-4031

Parker Canada Division

160 Chisholm Drive
Milton, Ontario, L9T 3G9 Canada
Tel: 905-693-3000
Fax: 905-876-1958

Mexico

Parker Hannifin de México

Industrial Hydraulic Sales
Eje Uno Norte No. 100
Parque Industrial Toluca 2000
Toluca, Edo. de Mexico CP 50100
Tel: 52 72 2275 4200
Fax: 52 72 2279 9308

Europe

Hydraulics Group Headquarters

La Tuilière 6
CH-1163 Etoy, Switzerland
Tel: 41 21 821 8500
Fax: 41 21 821 8580

Latin America

Parker Hannifin Ind. e Com. Ltda Hydraulics Division

Av. Frederico Ritter, 1100
94930-000 Cachoeirinha RS, Brazil
Tel: 55 51 3470 9144
Fax: 55 51 3470 9215

Parker Hannifin Argentina S.A.I.C.

Stephenson 2711
1667-Tortuguitas-Malvinas Argentinas
Pcia. de Buenos Aires, Argentina
Tel: 54 3327 44 4129
Fax: 54 3327 44 4199

Pan American Division

7400 NW 19th Street, Suite A
Miami, FL 33126 USA
Tel: 305-470-8800
Fax: 305-470-8808

Industrial Sales

Central Region

1042 Maple Avenue
Unit 331
Lisle, IL 60532 USA
Tel: 630-964-0796

Great Lakes Region

6035 Parkland Boulevard
Cleveland, OH 44124-4141 USA
Tel: 216-896-3000
Fax: 216-896-4031

Gulf Region

20002 Standing Cypress Drive
Spring, TX 77379 USA
Tel: 817-473-4431
Fax: 888-227-9454

Southwest Region

700 S. 4th Avenue
Mansfield, TX 76063 USA
Tel: 817-473-4431
Fax: 888-227-9454

Mid Atlantic & Southeast Regions

1225 Old Alpharetta Rd
Suite 290
Alpharetta, GA 30005 USA
Tel: 770-619-9767
Fax: 770-619-9806

Midwest Region

8145 Lewis Road
Minneapolis, MN 55427 USA
Tel: 763-513-3535
Fax: 763-544-3418

Northeast Region

P.O. Box 396
Pine Brook, NJ 07058 USA
Tel: 973-227-2565
Fax: 973-227-2467

Northwest Region

6458 North Basin Avenue
Portland, OR 97217 USA
Tel: 503-283-1020
Fax: 866-611-7308

Pacific and Plains Region

8460 Kass Drive
Buena Park, CA 90621 USA
Tel: 714-228-2509
Fax: 714-228-2511

Mobile Sales

Mobile Sales Organization and Global Sales

850 Arthur Avenue
Elk Grove Village, IL 60007 USA
Tel: 847-258-6200
Fax: 847-258-6299

Asia Pacific

Parker Hannifin Shanghai Ltd.

280 Yunqiao Road,
Jin Qiao Export Processing Zone
Shanghai 201206, China
Tel: 86 21 2899 5000
Fax: 86 21 5834 8975

Parker Hannifin Hong Kong Ltd.

Suites 01-04, 20/F,
Tower 2, The Gateway,
Harbour City, Tsimshatsui,
Hong Kong
Tel: 852 2428 8008
Fax: 852 2480 4256

Parker Hannifin Korea Ltd.

18F KAMCO Yangjae Tower
949-3 Dogok1-dong, Gangnam-gu
Seoul, 135-860, Korea
Tel: 82 2 559 0408
Fax: 82 2 556 8187

Parker Hannifin India Pvt Ltd.

Plot No. EL-26, MIDC,
TTC Industrial Area
Mahape, Navi Mumbai, 400 709, India
Tel: 91 22 6513 7081
Fax: 91 22 2768 6841

Parker Hannifin Australia

Parker Hannifin Pty Ltd.
9 Carrington Road
Castle Hill, NSW 2154, Australia
Tel: 612 9634 7777
Fax: 612 9842 5111

South Africa

Parker Hannifin Africa Pty Ltd

10 Berne Avenue
Aeroporto
Kempton Park 1620,
Republic of South Africa
Tel: 19 610 700
Fax: 13 927 213

