

# DEMI

## Housings

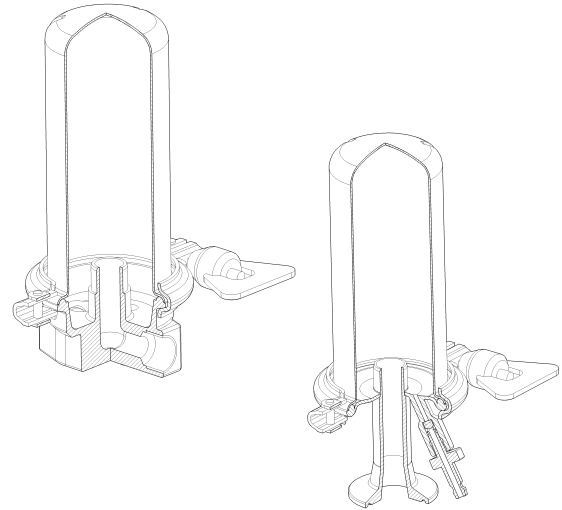
Manufactured completely in 316L stainless steel to a high quality sanitary crevice free construction

Positive 'O' Ring cartridge location and quick release 'V' band clamp

Low product hold-up

Designed to be in-situ sterilised or sanitised using standard procedures

Small / medium volume filtration



## Product Information

The DEMI filter housing range from domnick hunter is suitable for small to medium liquid volume filtration and for certain sterile air/gas applications especially within the pharmaceutical and beverage industries. For example:

- *R & D or laboratory scale liquid applications*
- *Sterilisation of compressed gas (dry systems)*
- *Venting of product tanks*

The housings are designed to offer either a sanitary or industrial option to meet individual users requirements. A full range of cartridges are available with absolute removal ratings from 0.1 - 100 microns.

## Product Specification

housing	316L stainless steel
seals	EPDM
surface finish	internal : electropolished external : mechanically polished
design pressure and temperature	7.7 bar g (111.65 psig) @ 149°C (300°F)

## Selection

### ZVDI Demis

Housing Code	Cartridge N°.	Nominal Length		Inlet/Outlet	Vent	Drain
		(mm)	(inch)			
ZVDI-01A-BTE	1	125	5	1" Tri-Clamp	1/8" BSPP / RECTUS 21	1/8" BSPP / RECTUS 21
ZVDI-01B-BTE	1	65	2.5	1" Tri-Clamp	1/8" BSPP / RECTUS 21	1/8" BSPP / RECTUS 21

*n.b. These housings can be fitted with domnick hunter 'Z' style cartridges*

### ZVDT / ZVDA Demis

Housing Code	Cartridge N°.	Nominal Length		Inlet/Outlet	Vent	Drain	Seal Material	Housing Type
		(mm)	(inch)					
ZVDT-01A-BBE	1	125	5	1/2" BSPP	1/4" BSPP	1/8" BSPP	EPDM	LIQUID
ZVDA-01A-ABE	1	125	5	1/2" BSPP	1/4" BSPP	1/8" BSPP	EPDM	AIR
ZVDT-01B-BBE	1	65	2.5	1/2" BSPP	1/4" BSPP	1/8" BSPP	EPDM	LIQUID
ZVDA-01B-ABE	1	65	2.5	1/2" BSPP	1/4" BSPP	1/8" BSPP	EPDM	AIR
ZVDA-01A-BE	1	125	5	3/8" BSPP	1/4" BSPP	1/8" BSPP	EPDM	AIR
ZVDA-01B-BE	1	65	2.5	3/8" BSPP	1/4" BSPP	1/8" BSPP	EPDM	AIR
ZVDT-01A-BNE	1	125	5	1/2" NPT	1/4" NPT	1/8" NPT	EPDM	LIQUID
ZVDA-01A-ANE	1	125	5	1/2" NPT	1/4" NPT	1/8" NPT	EPDM	AIR
ZVDT-01B-BNE	1	65	2.5	1/2" NPT	1/4" NPT	1/8" NPT	EPDM	LIQUID
ZVDA-01B-ANE	1	65	2.5	1/2" NPT	1/4" NPT	1/8" NPT	EPDM	AIR
ZVDA-01A-NE	1	125	5	3/8" NPT	1/4" NPT	1/8" NPT	EPDM	AIR
ZVDA-01B-NE	1	65	2.5	3/8" NPT	1/4" NPT	1/8" NPT	EPDM	AIR



Durham Road, Birtley, Co. Durham, England DH3 2SF

Tel: +44 (0)191 410 5121

Telefax: +44 (0)191 410 5312

E-mail address: [process@domnickhunter.com](mailto:process@domnickhunter.com)

Website: <http://www.domnickhunter.com>

Copyright **domnick hunter limited** 2004

Publication Reference: PD80/03/04 Rev 1A

Stock N°.: 17 950 1180

[www.domnickhunter.com](http://www.domnickhunter.com)

**domnick hunter limited** has a continuous policy of product development and although the Company reserves the right to change specification, it attempts to keep customers informed of any alterations. This publication is for general information only and customers are requested to contact our Process Filtration Sales Department for detailed information and advice on a products suitability for specific applications. All products are sold subject to the company's Standard conditions of sale.