

# Industrial Hydraulic Pumps T7/T67/T6

Denison Vane Technology, fixed displacement

aerospace  
climate control  
electromechanical  
filtration  
fluid & gas handling  
**hydraulics**  
pneumatics  
process control  
sealing & shielding



ENGINEERING YOUR SUCCESS.

**GENERAL**

General characteristics ..... 4  
 Min. and max. speeds - Pressure ratings  
 Single pumps ..... 5 - 6  
 Min. and max. speeds - Pressure ratings  
 Double & triple pumps ..... 7  
 Minimum allowable inlet pressure ..... 8 - 9  
 Main calculation ..... 10  
 Intermittent pressure rating ..... 10  
 Description ..... 11  
 Start-up instructions & recommendations  
 General ..... 12 - 13  
 Shaft & coupling data ..... 13  
 Specific point ..... 13  
 Fluids ..... 13 - 14  
 Formulas ..... 14  
 General characteristics ..... 15 - 16  
 Notes ..... 17

**SINGLE**

**T7AS**

Ordering code and technical data ..... 18  
 Dimensions and operating characteristics ..... 19

**T7ASW**

Ordering code and technical data ..... 20  
 Dimensions and operating characteristics ..... 21

**T7B - T7BS**

Ordering code and technical data ..... 22  
 Dimensions and operating characteristics ..... 23

**T6C**

Ordering code and technical data ..... 24  
 Dimensions and operating characteristics ..... 25

**T7D - T7DS**

Ordering code and technical data ..... 26  
 Dimensions and operating characteristics ..... 27

**T7E - T7ES**

Ordering code and technical data ..... 28  
 Dimensions and operating characteristics ..... 29

**DOUBLE**

**T7BB - T7BBS**

Ordering code and technical data ..... 30  
 Dimensions and operating characteristics ..... 31

**T6CC**

Ordering code and technical data ..... 32  
 Dimensions and operating characteristics ..... 33

**T67CB**

Ordering code and technical data ..... 34  
 Dimensions and operating characteristics ..... 35

**T7DB - T7DBS**

Ordering code and technical data ..... 36  
 Dimensions and operating characteristics ..... 37

**T67DC**

Ordering code and technical data ..... 38  
 Dimensions and operating characteristics ..... 39

**T7DD - T7DDS**

Ordering code and technical data ..... 40  
 Dimensions and operating characteristics ..... 41

**T7EB - T7EBS**

Ordering code and technical data ..... 42  
 Dimensions and operating characteristics ..... 43

	<b>T67EC</b>	Ordering code and technical data .....	44
		Dimensions and operating characteristics .....	45
	<b>T7ED - T7EDS</b>	Ordering code and technical data .....	46
		Dimensions and operating characteristics .....	47
	<b>T7EE - T7EES</b>	Ordering code and technical data .....	48
		Dimensions and operating characteristics .....	49
<b>TRIPLE</b>	<b>T7DBB - T7DBBS</b>	Ordering code and operating characteristics .....	50
		Technical data .....	51
		Dimensions .....	52
	<b>T7DCB - T7DCBS</b>	Dimensions .....	52
		Ordering code and operating characteristics .....	53
		Technical data .....	54
	<b>T7DCC - T7DCCS</b>	Technical data .....	55
		Ordering code and operating characteristics .....	56
		Dimensions .....	52
	<b>T7DDB - T7DDBS</b>	Ordering code and operating characteristics .....	57
		Technical data .....	58
		Dimensions .....	59
	<b>T67DDCS</b>	Dimensions .....	60
		Ordering code and operating characteristics .....	61
		Technical data .....	62
	<b>T7EDB - T7EDBS</b>	Technical data .....	63
		Ordering code and operating characteristics .....	64
		Dimensions .....	65
	<b>T67EDC - T67EDCS</b>	Dimensions .....	66
		Ordering code and operating characteristics .....	67
		Technical data .....	68
	<b>T7EEC - T7EECS</b>	Technical data .....	69
		Ordering code and operating characteristics .....	70
		Dimensions .....	71
		Porting diagrams for double and triple pumps.....	72
		Porting diagrams for triple pumps .....	73
		Notes .....	74
		Warning .....	75

**CHARACTERISTICS**

These vane pumps have been specially designed for high/low circuits. The combination of different cartridges in double and triple pumps allows low flow at high pressure (300 bar max.) and high flow at lower pressure. This is a clever way to optimize your circuit design. This pump feature will also allow a very fast pressure cycle change with a very precise flow repeatability.

**GREATER FLOW**

Size A : 5,8 to 40,0 ml/rev.  
 Size B : 5,8 to 50,0 ml/rev.  
 Size C : 10,8 to 100,0 ml/rev.  
 Size D : 44,0 to 158,0 ml/rev.  
 Size E : 132,3 to 268,7 ml/rev.

**HIGHER PRESSURE**

A : up to 300 bar max.  
 B : up to 320 bar max. (300 bar for multiple pump).  
 C : up to 275 bar max.  
 D : up to 280 bar max. (250 bar for multiple pump).  
 E : up to 240 bar max.

**WIDE SPEED RANGE**

Industrial pumps : Min. : 600 RPM - Max. up to 3600 RPM

**BETTER EFFICIENCY**

Increases productivity, reduces heating and reduces operation costs.

**LOW NOISE LEVELS**

Increases operator safety and eases machines acceptances.

**MOUNTING FLEXIBILITY**

Single pumps : 4 different positions.  
 Double pumps : 32 different positions.  
 Triple pumps : 128 different positions.

**CARTRIDGE DESIGN**

Provides for drop-in assemblies. They permit easy conversion and service.  
 A, B and D cartridges : bi-directional technology.  
 C and E cartridges : uni-directional technology.

**WIDE RANGE OF ACCEPTABLE VISCOSITIES**

Viscosities from 860 to 10 cSt permit colder starts and hotter running. The balanced design compensates for wear and temperature changes. At high viscosity or cold temperature, the rotor to side plates gap is well lubricated and improves mechanical efficiency.

**FIRE RESISTANT FLUIDS AND BIODEGRADABLE FLUIDS**

Phosphate esters, organic esters, chlorinated hydrocarbons, water glycols, rapeseed may be pumped at high pressures and with long service life by these pumps.

**GENERAL APPLICATIONS INSTRUCTIONS**

1. Check speed range, pressure, temperature, fluid quality, fluid viscosity and pump rotation.
2. Check inlet conditions of the pump, if it can accept the application requirements.
3. Check the type of shaft : if it will support the operating torque.
4. Check the coupling must be chosen to minimize pump shaft load (weight, misalignment).
5. Filtration : must be adequate for the lowest contamination level.
6. Check the environment of the pump : as to avoid noise reflection, pollution and shocks.

Model of pump	Series	Theoretical Displacement Vi ml/rev.	Minimum Speed RPM	Maximum Speed <sup>3)</sup>		Maximum Pressure					
				HF-0, HF-1 HF-2	HF-3, HF-4 HF-5	HF-0, HF-2		HF-1, HF-4, HF-5		HF-3	
				RPM	RPM	Int. bar	Cont. bar	Int. bar	Cont. bar	Int. bar	Cont. bar
T7AS <sup>2)</sup>	B06	5,8	600	3600	1800	300	275	240	210	175	140
	B10	9,8									
	B11	11,0									
	B13	12,8									
	B17	17,2									
	B20	19,8									
	B22	22,5									
B25	24,9	3000	275	240							
T7ASW <sup>2)</sup>	B26	26,0	600	3600	1800	300	275	240	210	175	140
	B28	28,0									
	B30	30,0									
	B32	31,8									
	B34	34,0									
	B36	36,0									
	B40	40,0									
T7B T7BS	B02	5,8	600	3600	1800	320 <sup>1)</sup>	290	240	210	175	140
	B03	9,8									
	B04	12,8									
	B05	15,9									
	B06	19,8									
	B07	22,5									
	B08	24,9									
	B09	28,0									
	B10	31,8									
	B11	35,0									
	B12	41,0									
	B14	45,0									
	B15	50,0									
T6C	003	10,8	600	2800	1800	275	240	210	175	175	140
	005	17,2									
	006	21,3									
	008	26,4									
	010	34,1									
	012	37,1									
	014	46,0									
	017	58,3									
	020	63,8									
	022	70,3									
	025	79,3									
	028	88,8									
	031	100,0									

HF-0, HF-2 = Antiwear Petroleum Base - HF-1 = Non Antiwear Petroleum Base - HF-3 = Water in oil Invert Emulsions  
 HF-4 = Water Glycols Solutions - HF-5 = Synthetic Fluids

<sup>1)</sup> Please consult Parker for application over 300 bar.

<sup>2)</sup> Please be careful as these cartridge designation are now in ml/rev. (example : B22 = 22,5 ml/rev.)

<sup>3)</sup> Please be sure that the inlet velocity is under 1,9 m/sec. (see page 12, start-up & check-up).

For further information, or if the performance characteristics outlined here above do not meet your particular requirements, please consult your local Parker office.

Model of pump	Series	Theoretical Displacement Vi	Minimum Speed	Maximum Speed <sup>3)</sup>		Maximum Pressure					
				HF-0, HF-1 HF-2	HF-3, HF-4 HF-5	HF-0, HF-2		HF-1, HF-4, HF-5		HF-3	
		ml/rev.	RPM	RPM	RPM	Int.	Cont.	Int.	Cont.	Int.	Cont.
						bar	bar	bar	bar	bar	bar
T7D T7DS	B14	44,0	600	3000	1800	300	250	240	210	175	140
	B17	55,0									
	B20	66,0									
	B22	70,3									
	B24	81,1									
	B28	90,0									
	B31	99,2									
	B35	113,4									
	B38	120,6									
	B42	137,5									
	045 <sup>1)</sup>	145,7									
050 <sup>1)</sup>	158,0										
T7E <sup>2)</sup> T7ES	042	132,3	600	2200	1800	240	210	210	175	175	140
	045	142,4									
	050	158,5									
	052	164,8									
	054	171,0									
	057	183,3									
	062	196,7									
	066	213,3									
	072	227,1									
	085	268,7									

HF-0, HF-2 = Antiwear Petroleum Base

HF-1 = Non Antiwear Petroleum Base

HF-3 = Water in oil Invert Emulsions

HF-4 = Water Glycols Solutions

HF-5 = Synthetic Fluids

<sup>1)</sup> Ten vane technology.

<sup>2)</sup> For T7E, below 10 bar, please contact Parker.

<sup>3)</sup> Please be sure that the inlet velocity is under 1,9 m/sec. (see page 12, start-up & check-up).

For further information, or if the performance characteristics outlined here above do not meet your particular requirements, please consult your local Parker office.

**Double & triple pumps : speeds, pressure ratings T7/T67/T6C Industrial, Denison Vane Pumps**

Model of pump	Series	Theoretical Displacement Vi ml/rev.	Minimum Speed RPM	Maximum Speed <sup>3)</sup>			Maximum Pressure					
				HF-0, HF-1	HF-3, HF-4	HF-5	HF-0, HF-2		HF-1, HF-4, HF-5		HF-3	
				HF-2	HF-5		Int.	Cont.	Int.	Cont.	Int.	Cont.
				RPM	RPM	RPM	bar	bar	bar	bar	bar	bar
T7BB/S T67CB T7DB/S T7EB/S T7DBB/S T7DCB/S T7DDB/S T7EDB/S	B02	5,8	600	2200 <sup>2)</sup>	1800	T7BB T7BBS 320 <sup>1)</sup>	T7BB T7BBS 290	240	210	175	140	
	B03	9,8										
	B04	12,8										
	B05	15,9										
	B06	19,8										
	B07	22,5										
	B08	24,9										
	B09	28,0										
	B10	31,8										
	B11	35,0										
	B12	41,0										Other pumps 300
	B14	45,0				280	240					
	B15	50,0										
T6CC T67CB T67DC T67EC T7DCB/S T7DCC/S T67DDCS T67EDC/S T7EEC/S	003	10,8	600	2200 <sup>2)</sup>	1800	275	240	210	175	175	140	
	005	17,2										
	006	21,3										
	008	26,4										
	010	34,1										
	012	37,1										
	014	46,0										
	017	58,3										
	020	63,8										
	022	70,3										
	025	79,3				210	160	160				
028	88,8											
031	100,0											
T7DB/S T67DC T7DD/S T7EDS T7DBB/S T7DCB/S T7DCC/S T7DDB/S T67DDCS T7EDB/S T67EDC/S	B14	44,0	600	2200 <sup>2)</sup>	1800	300	250	240	210	175	140	
	B17	55,0										
	B20	66,0										
	B22	70,3										
	B24	81,1										
	B28	90,0										
	B31	99,2										
	B35	113,4				280						
	B38	120,6										
	B42	137,5				260	230					
	045 <sup>1)</sup>	145,7				240	210	210	175			
	050 <sup>1)</sup>	158,0				210	160	210	160			
	T7EB/S T67EC T7EDS T7EE/S T7EEC/S T67EDB/S T67EDC/S	042				132,3	600	2200 <sup>2)</sup>	1800	240	210	210
045		142,4										
050		158,5										
052		164,8										
054		171,0										
057		183,3										
062		196,7										
066		213,3										
072		227,1										
085	268,7	90	75	75	75	75	75					

HF-0, HF-2 = Antiwear Petroleum Base    HF-1 = Non Antiwear Petroleum Base    HF-3 = Water in oil Invert Emulsions  
 HF-4 = Water Glycols Solutions    HF-5 = Synthetic Fluids

<sup>1)</sup> Please consult Parker for application over 300 bar.  
<sup>2)</sup> Please consult Parker with higher speeds.  
<sup>3)</sup> Please be sure that the inlet velocity is under 1,9 m/sec. (see page 12, start-up & check-up).

For further information or if the performance characteristics outlined above do not meet your particular requirements, please consult your local Parker office.



**Minimum allowable inlet pressure (bar absolute) T7/T67/T6C Industrial, Denison Vane Pumps**

**Minimum allowable inlet pressure (bar absolute)**

Cartridge		Speed RPM										Series		
Size	Series	1200	1500	1800	2100	2200	2300	2500	2800	3000	3600			
AS	B06	0,80	0,80	0,80	0,80	0,80	0,80	0,80	0,80	0,80	0,80	0,80	0,80	0,80
	B10													
	B11													
	B13													
	B17													
	B20													
	B22													
	B25													
ASW	B26	0,80	0,80	0,80	0,80	0,80	0,80	0,80	0,80	0,80	0,80	0,80	0,80	0,80
	B28													
	B30													
	B32													
	B34													
	B36													
	B40													
B	B02	0,80	0,80	0,80	0,80	0,80	0,80	0,80	0,80	0,80	0,80	0,80	0,80	0,80
	B03													
	B04													
	B05													
	B06													
	B07													
	B08													
	B09													
	B10													
	B11													
	B12													
	B14													
	B15													
	C													
005														
006														
008														
010														
012														
014														
017														
020														
022														
025														
028														
031														

Inlet pressure is measured at inlet flange with petroleum base fluids at viscosity between 10 and 65 cSt. The difference between inlet pressure at the pump flange and atmospheric pressure must not exceed 0,2 bar to prevent aeration.

Multiply absolute pressure by 1,25 for HF-3, HF-4 fluids.

by 1,35 for HF-5 fluid.

by 1,10 for ester or rapeseed base.

For double and triple pumps, prefer the cartridge requiring the highest absolute pressure.



**Minimum allowable inlet pressure**

**T7/T67/T6C Industrial, Denison Vane Pumps**

Cartridge		Speed RPM										Series			
Size	Series	1200	1500	1800	2100	2200	2300	2500	2800	3000	3600				
<b>D</b>	<b>B14</b>	0,80	0,80	0,80	0,80	0,80	0,80	0,80	0,80	0,80		<b>B14</b>			
	<b>B17</b>											<b>B17</b>			
	<b>B20</b>								0,82	0,86		<b>B20</b>			
	<b>B22</b>								0,83	0,88		<b>B22</b>			
	<b>B24</b>								0,86	0,95		<b>B24</b>			
	<b>B28</b>								0,88	1,00		<b>B28</b>			
	<b>B31</b>								0,90	1,05		<b>B31</b>			
	<b>B35</b>								0,84	0,97		<b>B35</b>			
	<b>B38</b>								0,86	1,01		<b>B38</b>			
	<b>B42</b>								0,90			<b>B42</b>			
	<b>B45</b>								0,85	0,98		1,05	<b>B45</b>		
	<b>B50</b>									1,02		1,09	<b>B50</b>		
<b>E</b>	<b>042</b>	0,80	0,80	0,80	0,90	1,00						<b>042</b>			
	<b>045</b>											<b>045</b>			
	<b>050</b>											<b>050</b>			
	<b>052</b>											<b>052</b>			
	<b>054</b>											<b>054</b>			
	<b>057</b>			0,85	0,95							<b>057</b>			
	<b>062</b>											<b>062</b>			
	<b>066</b>			0,85	0,85							0,95	1,00	1,09	<b>066</b>
	<b>072</b>											0,85	1,05	<b>072</b>	
	<b>085</b>											0,90	0,90	1,00	<b>085</b>

Inlet pressure is measured at inlet flange with petroleum base fluids at viscosity between 10 and 65 cSt. The difference between inlet pressure at the pump flange and atmospheric pressure must not exceed 0,2 bar to prevent aeration.

Multiply absolute pressure by 1,25 for HF-3, HF-4 fluids.

by 1,35 for HF-5 fluid.

by 1,10 for ester or rapeseed base.

For double and triple pumps, prefer the cartridge requiring the highest absolute pressure.

**MAIN CALCULATION**

To resolve

Volumetric displ. ..  $V_i$  [ml/rev.]

Available flow.....  $Q_{eff}$  [l/min]

Input power.....  $P_{eff}$  [kW]

Performances required

Requested flow ....  $Q$  [l/min] 42

Speed.....  $n$  [RPM] 1500

Pressure.....  $p$  [bar] 250

Routine :

Example :

1. First calculation  $V_i = \frac{1000 Q}{n}$

$V_i = \frac{1000 \times 42}{1500} = 28 \text{ ml/rev.}$

2. Choice  $V_i$  of pump immediately greater (see tabulation)

T7B B10,  $V_i = 31,8 \text{ cm}^3/\text{rev.}$

3. Theoretical flow of this pump

$Q_{theo} = \frac{V_i \times n}{1000}$

$Q_{theo} = \frac{31,8 \times 1500}{1000} = 47,7 \text{ l/min}$

4. Find  $q_{vs}$  leakage function of pressure

$q_{vs} = f(p)$  on curve at 10 or 24 cSt

T7B (page 22) :  $q_{vs} = 3 \text{ l/min}$  at 250 bar, 24 cSt

5. Available flow  $Q_{eff} = Q_{theo} - q_{vs}$

$Q_{eff} = 47,7 - 3 = 44,7 \text{ l/min}$

6. Theoretical input power

$P_{theo} = \frac{Q_{theo} \times P}{600}$

$P_{theo} = \frac{47,7 \times 250}{600} = 19,9 \text{ kW}$

7. Find  $P_s$  hydrodynamic power loss on curve

T7B (page 22) :  $P_s$  at 1500 RPM, 250 bar = 1 kW

8. Calculation of necessary input power

$P_{eff} = P_{theo} + P_s$

$P = 19,9 + 1 = 20,9 \text{ kW}$

9. Results

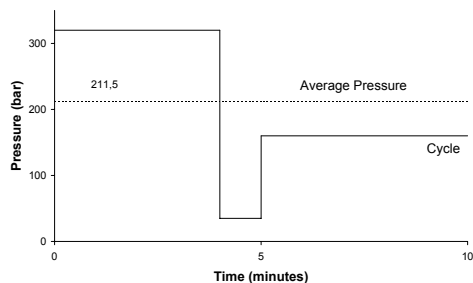
$V_i = 31,8 \text{ ml/rev.}$	T7B B10
$Q_{eff} = 47,7 \text{ l/min}$	
$P_{eff} = 20,9 \text{ kW}$	

These calculation steps must be followed for each application.

**INTERMITTENT PRESSURE RATING**

T7 and T67 units may be operated intermittently at pressures higher than the recommended continuous rating when the time weighted average of pressure is less than or equal to the continuous duty pressure rating. This intermittent pressure rating calculation is only valid when the other parameters : speed, fluid, viscosity and contamination level are respected.

For total cycle time longer than 15 minutes, please consult your Parker representative.



Example : T7B - B10

Duty cycle ..... 4 min. at 320 bar

..... 1 min. at 35 bar

..... 5 min. at 160 bar

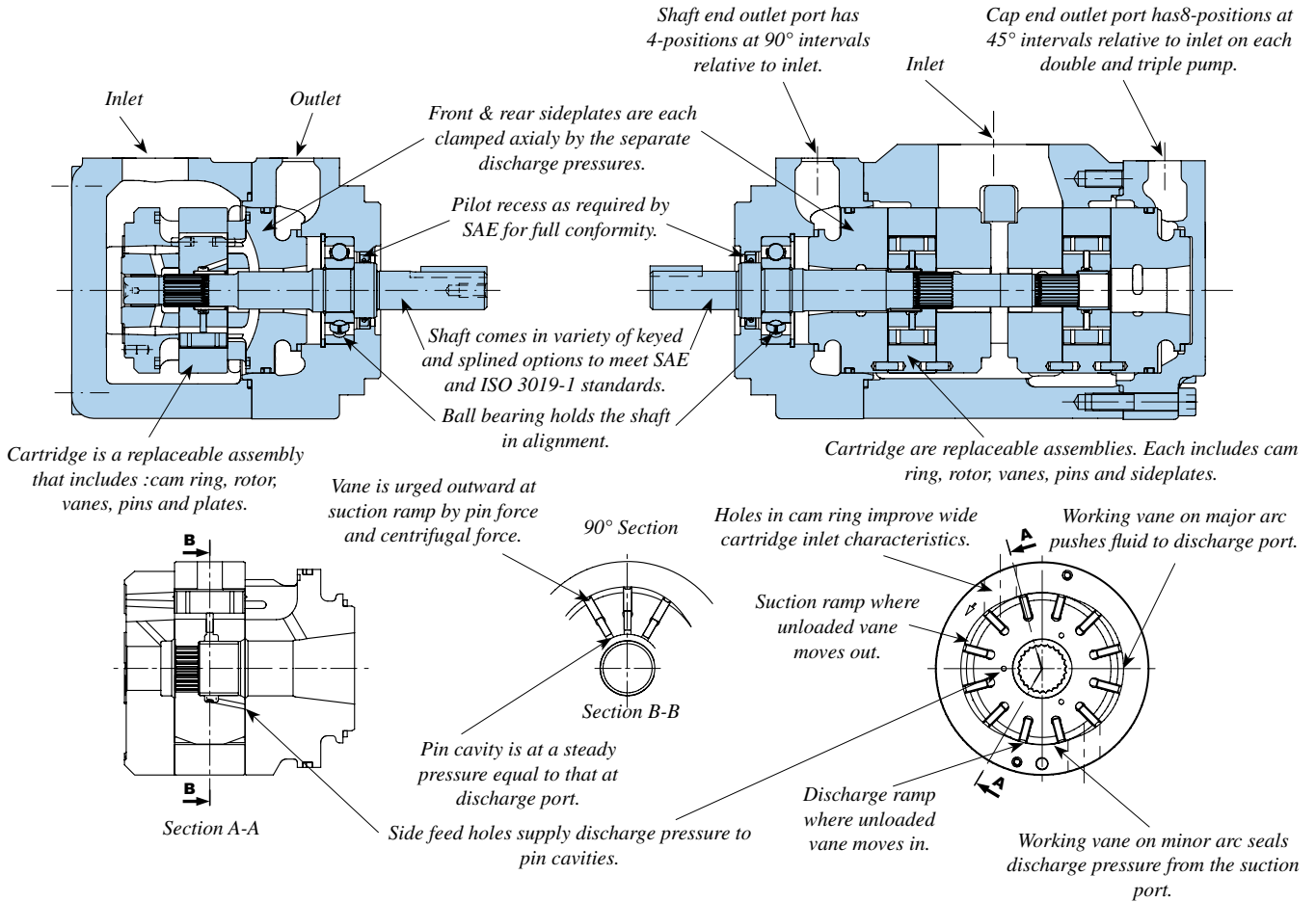
$\frac{(4 \times 320) + (1 \times 35) + (5 \times 160)}{10} = 211,5 \text{ bar}$

211,5 bar is lower than 290 bar allowed as continuous pressure for T7B - B10 with HF-0 fluid.

**Description**

**Hydraulic Pumps**

**T7/T67/T6C Industrial, Denison Vane Pumps**



**APPLICATION ADVANTAGES**

- The high pressure capability up to 320 bar, in the small envelope, reduces installation costs and provides extended life at reduced pressure.
- The high volumetric efficiency, reduces heat generation, and allows speeds down to 600 RPM at full pressure.
- The high mechanical efficiency, typically better than 94%, reduces energy consumption.
- The wide speed range (600 RPM at 3600 RPM), combined with large size cartridge displacements will optimize operation for the lowest noise level in the smallest envelope.
- The low speed (600 RPM), low pressure, high viscosity (860 cSt) allows application in cold environment with a minimum energy consumption and without risk of seizure.
- The low ripple pressure ( $\pm 2$  bar) reduces piping noise and increases lifetime of the other components in the circuit.
- The high resistance to particle contamination, thanks to the double lip technology increasing the pump lifetime.
- The large variety of options (cam displacement, shaft, porting) allows customized installation.
- Noise : Specially designed to optimize the low noise level characteristics.
- Cartridge concept : drops maintenance costs.

**Start-up instructions & recommendations T7/T67/T6C Industrial, Denison Vane Pumps**

**GENERAL :**

All Parker vane pumps are individually tested to provide the best quality & reliability. Modifications, conversions & repairs can only be done by authorized dealers or OEM to avoid invalidation of the guarantee.

The pumps are to be used in the design limits indicated in all the sales bulletins. Please contact Parker when trespassing the catalogue limits.

Do not modify or work on the pump under pressure or when the electric motor (or any drive) is on.

Qualified personnel is required to assemble and set-up hydraulic devices.

Always conform yourself to the valid regulations (safety, electrical, environment...).

The following instructions are important to follow to obtain a good service life time from the unit.

**ROTATION & PORTS INDICATION**

The rotation and ports orientation are viewed from the shaft end.

CW stands for clockwise = right-hand rotation.

CCW stands for counter-clockwise = left-hand rotation.

**START-UP CHECK-UP**

**Check that the assembly of the power unit is correct :**

The distance between the suction pipe & the return lines in the tank should be at its maximum.

A bevel on both suction & return lines is recommended to increase the surface and so lower the velocity. We suggest a 45° minimum angle.

Velocities : inlet  $0,5 < x < 1,9$  m/s (1,64 < x < 6,23 ft per sec.)  
 : return  $x < 6$  m/s (x < 19,7 ft per sec.)

: Always insure that all return and suction lines are under the oil level to avoid forming aeration or vortex effect. This should be done under the most critical situation (all cylinders extended for example). Straight and short pipes are the best.

$$V = \frac{Q \text{ (Lpm)}}{6 \times \pi \times r^2 \text{ (cm)}} = \text{m/s} \quad V = \frac{Q \text{ (GPM)}}{3.12 \times \pi \times r^2 \text{ (in)}} = \text{ft/s}$$

The size of the air filter should be 3 times greater than the max. instant return flow (all cylinders in movement for example).

If the pump is in the tank, please choose the NOP option (no paint) and use a short inlet pipe.

Parker does not recommend inlet strainers. If needed, a 100 mesh (149 microns) is the finest mesh recommended.

A coaxial drive is recommended. For any other type of drives, please contact Parker.

Make sure that all protective plugs & covers have been removed.

Check the pump rotation versus the E-motor or engine rotation.

**Start-up :**

The tank has been filled up with a clean fluid in proper conditions.

We recommend to flush the system with an external pump prior to the start-up.

It is important to bleed the air off the circuit & the pump itself.

The first valve on the circuit should be open to tank.

We recommend the use of air bleed off valves.

It is possible to bleed off the air by creating a leak in the P port of the pump. **Warning : this has to be done in a low pressure mode as it could create a dangerous fluid leak. Make sure that the pressure cannot rise (open center valve to tank, pressure relief valve unloaded ...).**

When oil free of air appears, tighten the connectors to the correct torque.

The pump should prime within a few seconds. If not, please consult our troubleshooting guide (document 1 - EN0721 - \*).

If the pump is noisy, please troubleshoot the system.

Never operate the pump at top speed and pressure without checking the completion of pump priming.

**SHAFT & COUPLING DATA :**

**COUPLINGS AND FEMALE SPLINES**

- The mating female spline should be free to float and find its own center. If both members are rigidly supported, they must be aligned within 0,15 TIR (0.006" TIR) or less to reduce fretting. The angular alignment of two splines axes must be less than  $\pm 0,05$  per 25,4 radius ( $\pm 0.002$ " per 1" radius).

- The coupling spline must be lubricated with a lithium molydisulfide grease, disulfide of molybdenum or a similar lubricant.

- The coupling must be hardened to a hardness between 29 and 45 HRC.

- The female spline must be made to conform to the Class 1 fit as described in SAE-J498b (1971). This is described as a Flat Root Side Fit.

Parker supplies the T7 series keyed shaft pumps with high strength heat-treated keys. Therefore, when installing or replacing these pumps, the heat-treated keys must be used in order to ensure maximum life in the application. If the key is replaced, it must be a heat-treated key between 27 and 34 R.C. hardness. The corners of the keys must be chamfered by 0,76 mm to 1,02 mm (0.03 to 0.04) at 45° to clear the radii in the key way.

The alignment of keyed shafts must be within tolerances given for splined shafts here above.

These products are primarily designed for coaxial drives which do not impose axial or side loading on the shaft. Contact Parker for specific applications.

**KEYED SHAFTS**

**SHAFT LOADS**

**SPECIFIC POINTS :**

**MINIMUM INLET PRESSURE**

Please read the charts in the sales leaflets as the minimum requested inlet pressure varies versus the displacement and the speed.

Never go under 0,8 bar Absolute (-0,2 bar relative)

11.6 PSI Absolute (-2.9 PSI G).

**MAXIMUM INLET PRESSURE**

It is recommended to always have at least 1,5 bar (22 PSI) differential between inlet and outlet.

Standard shaft seals are limited to 0,7 bar (10 PSI G) but some allow 7 bar (100 PSI G). Please contact Parker for more information.

**MINIMUM OUTLET PRESSURE**

It is recommended to always have at least 1,5 bar (22 PSI) differential between inlet and outlet.

**VERTICAL MOUNT**

When assembled vertically, always be careful to prevent any air from being trapped in the pump (behind the shaft seal for example).

**FLUIDS :**

**DENISON CLASSIFICATION**

Type of fluids : For each type of fluids, Parker vane pumps will have different pressures, speeds & temperature limits. Please refer to the sales leaflets.

HF-0 = Anti-wear petroleum base.

HF-1 = Non anti-wear petroleum base.

HF-2 = Anti-wear petroleum base.

HF-3 = Water-in-oil invert emulsions.

HF-4 = Water glycol solutions.

HF-5 = Synthetic fluids.

**FILTRATION RECOMMENDATIONS**

NAS 1638 class 8 or better.  
 ISO 19 / 17 / 14 or better.  
 Inlet strainer : Parker does not recommend inlet strainers.  
 If requested, a 100 mesh (149 microns) is the finest mesh recommended.

**RECOMMENDED FLUIDS**

Petroleum based antiwear R & O fluids.  
 These fluids are the recommended fluids for pumps & motors. Maximum catalogue (UK version) ratings and performance datas are based on operation with these fluids. These fluids are covered by Denison HF-0 and HF-2 specifications.

**ACCEPTABLE ALTERNATE FLUIDS**

The use of fluids other than petroleum based antiwear R & O fluids requires that the maximum ratings of the pumps will be reduced. In some cases the minimum replenishment pressures must be increased. Consult specific sections for more details.

**VISCOSITY**

	Industrial
Max. (cold start, low speed & pressure)	860 cSt - 3900 SUS
Max. (full speed & pressure)	108 cSt - 500 SUS
Optimum (max. life)	30 cSt - 140 SUS
Min. (full speed & pressure for HF-1, HF-3, HF-4 & HF-5 fluids)	18 cSt - 90 SUS
Min. (full speed & pressure for HF-0 & HF-2 fluids)	10 cSt - 60 SUS

**VISCOSITY INDEX**

90 min. Higher values extend the range of operating temperatures.

**TEMPERATURES**

The usual limiting factor of temperature (low or high) comes from the obtained viscosity. The seals are sometimes the limit : standard seals range from -30° C to 90° C (-9.4° F to 194° F).

Maximum fluid temperature (θ)	° C	° F
HF-0, HF-1, HF-2	+ 100	+ 212
HF-3, HF-4	+ 50	+ 122
HF-5	+ 70	+ 158
Biodegradable fluids (esters & rapeseed base)	+ 65	+ 149
Minimum fluid temperature (θ)	° C	° F
(also depend on max. viscosity)		
HF-0, HF-1, HF-2, HF-5	- 18	- 0.4
HF-3, HF-4	+ 10	+ 50
Biodegradable fluids (esters & rapeseed base)	- 18	- 0.4

Over or under these values, please contact Parker.

**WATER CONTAMINATION IN THE FLUID**

Maximum acceptable content of water :  
 • 0,10 % for mineral base fluids.  
 • 0,05 % for synthetic fluids, crankcase oils, biodegradable fluids.  
 If the amount of water is higher, then it must be drained off the circuit.

**FLUID POWER FORMULAS**

Pump input torque	N.m	$\frac{\text{pressure (bar)} \times \text{displacement cm}^3/\text{rev}}{20 \pi \times \text{mech. eff.}}$
Pump input power	kW	$\frac{\text{rpm} \times (\text{cm}^3/\text{rev}) \times \text{pressure (bar)}}{600000 \times \text{overall eff.}}$
Pump output flow	Lpm	$\frac{\text{rpm} \times (\text{cm}^3/\text{rev}) \times \text{volumetric eff.}}{1000}$
Fluid motor speed	rpm	$\frac{1000 \times \text{flow rate (Lpm)} \times \text{volumetric eff.}}{\text{displacement (cm}^3/\text{rev.)}}$
Fluid motor torque	N.m	$\frac{\text{pressure (bar)} \times \text{displacement (cm}^3/\text{rev)} \times \text{mech. eff.}}{20 \pi}$
Fluid motor power	kW	$\frac{\text{rpm} \times (\text{cm}^3/\text{rev}) \times (\text{bar}) \times \text{overall eff.}}{600000}$

	Mounting standard	Weight without connector and bracket - kg	Moment of inertia Kg <sup>m</sup> ² x 10 <sup>-4</sup>	SAE 4 bolts - J518 - ISO/DIS6162-1		
				Suction	Pressure	
				S	P1	
T7AS	SAE J744 SAE A	9,5	2,6	1"-SAE 4 bolts J518-ISO/DIS 6162-1	3/4"-SAE 4 bolts J518-ISO/DIS 6162-1	
				SAE 16-SAE threads 1.5/16"-12 UNF-2B	SAE 12-SAE threads 1.1/16"-12 UNF-2B	
				NPTF threads 1.1/4" NPTF	NPTF threads 3/4" NPTF	
				1" BSP	3/4" BSP	
T7ASW	SAE J744 SAE A	11,3	3,2	1.1/4"-SAE 4 bolts J518-ISO/DIS 6162-1	3/4"-SAE 4 bolts J518-ISO/DIS 6162-1	
				SAE 20-SAE threads 1.5/8"-12 UNF-2B	SAE 12-SAE threads 1.1/16"-12 UNF-2B	
				NPTF threads 1.1/4" NPTF	SAE 12-SAE threads 1.1/16"-12 UNF-2B	
				1.1/4" BSP	3/4" BSP	
T7B	ISO 3019-2 100 A2 HW	23,0	3,2	1.1/2"	1" or 3/4"	
T7BS	SAE J744 SAE B					
T6C	SAE J744 SAE B	15,7	7,5	1.1/2"	1"	
T7D	ISO 3019-2 125 A2 HW	26,0	19,6	2"	1.1/4"	
T7DS	SAE J744 SAE C					
T7E	ISO 3019-2 125 A2 HW	43,3	62,5	3"	1.1/2"	
T7ES	SAE J744 SAE C					
				S	P1	P2
T7BB	ISO 3019-2 100 A2 HW	32,6	6,7	2.1/2"	1" or 3/4"	3/4"
T7BBS	SAE J744 SAE B					
T6CC	SAE J744 SAE B	26,0	16,9	2.1/2" or 3"	1"	1" or 3/4"
T67CB	SAE J744 SAE B	26,0	11,4	2.1/2"	1"	3/4"
T7DB	ISO 3019-2 125 A2 HW	38,6	22,7	3"	1.1/4"	1" or 3/4"
T7DBS	SAE J744 SAE C					
T67DC	SAE J744 SAE C	38,6	26,3	3"	1.1/4"	1" or 3/4"
T7DD	ISO 3019-2 125 A2 HW 125 B4HW	56,0	36,3	4"	1.1/4"	1.1/4"
T7DDS	SAE J744 SAE C					
T7EB	ISO 3019-2 125 A2 HW	55,0	65,9	3.1/2"	1.1/2"	3/4"
T7EBS	SAE J744 SAE C					
T67EC	SAE J744 SAE C	55,0	70,8	3.1/2"	1.1/2"	1"
T7ED	ISO 3019-2 125 A2 HW	66,0	79,7	4"	1.1/2"	1.1/4"
T7EDS	SAE J744 SAE C					
T7EE	ISO 3019-2 250 B4 HW	95,0	97,4	4"	1.1/2"	1.1/2"
T7EES	SAE J744 SAE E					

**General characteristics**

	Mounting standard	Weight without connector and bracket - kg	Moment of inertia Kgm <sup>2</sup> x 10 <sup>-4</sup>	SAE 4 bolts - J518 - ISO/DIS6162-1			
				Suction	Pressure		
				S	P1	P2	P3
<b>T7DBB</b>	ISO/3019-2 125 A2 HW 125 B4 HW	61,0	26,1	4"	1.1/4"	1"	1" or 3/4"
<b>T7DBBS</b>	SAE J744 SAE C						
<b>T7DCB</b>	ISO/3019-2 125 A2 HW 125 B4 HW		29,7				
<b>T7DCBS</b>	SAE J744 SAE C						
<b>T7DCC</b>	ISO/3019-2 125 A2 HW 125 B4 HW		33,3				
<b>T7DCCS</b>	SAE J744 SAE C						
<b>T7ddb</b>	ISO/3019-2 125 A2 HW 125 B4 HW	66,0	39,5	4"	1.1/4"	1.1/4"	1" or 3/4"
<b>T7ddbS</b>	SAE J744 SAE C						
<b>T67DDCS</b>	SAE J744 SAE C	66,0	43,1	4"	1.1/4"	1.1/4"	1" or 3/4"
<b>T7EDB</b>	ISO 3019-2 250 B4 HW	102,0	76,6	4"	1.1/2"	1.1/4"	1" or 3/4"
<b>T7EDBS</b>	SAE J744 SAE E						
<b>T67EDC</b>	ISO 3019-2 250 B4 HW	102,0	80,2	4"	1.1/2"	1.1/4"	1" or 3/4"
<b>T67EDCS</b>	SAE J744 SAE E						
<b>T7EEC</b>	ISO/3019-2 250 B4 HW	114,8	99,1	4"	1.1/2"	1.1/2"	1" or 3/4"
<b>T7EECS</b>	SAE J744 SAE E						





**Model No.**

**T7AS - B17 - 1 R 00 - A 1 - 00 - ..**

**T7AS series - SAE A 2 bolts**  
 J744 mounting flange

**Displacement \***  
 Volumetric displacement (ml/rev.)  
 B06 = 5,8  
 B10 = 9,8  
 B11 = 11,0  
 B13 = 12,8  
 B17 = 17,2  
 B20 = 19,8  
 B22 = 22,5  
 B25 = 24,9

**Type of shaft T7AS**  
 1 = keyed (non SAE) Ø 19,05  
 3 = splined 16/32 (SAE B) 13 teeth  
 4 = splined 16/32 (SAE A) 9 teeth

**Direction of rotation (shaft end view)**  
 R = Clockwise  
 L = Counter-clockwise

**Modifications**

**Mounting w/connection variables**

00 = 4 bolts SAE flanges (J518) UNC thread  
 S = 1" SAE  
 P = 3/4" SAE  
 02 = SAE thread  
 S = 1.5/16" (SAE 16)  
 P = 1.1/16" (SAE 12)  
 03 = NPTF thread  
 S = 1.1/4" NPTF  
 P = 3/4" NPTF  
 04 = BSP threads  
 S = 1" BSP  
 P = 3/4" BSP

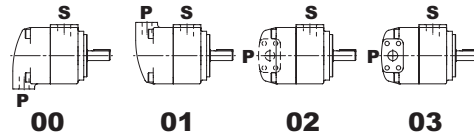
**Seal class**

1 = S1 BUNA N - 0,7 bar max. (for mineral oil)  
 5 = S5 VITON® - 0,7 bar max. (for mineral oil and fire resistant fluids)

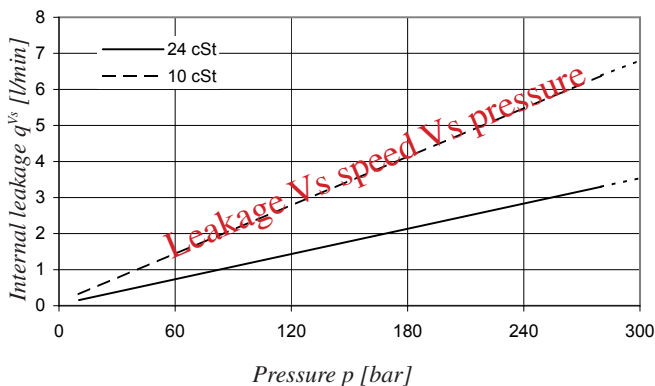
**Design letter**

**Porting combination**  
 00 = standard

P = Pressure  
 S = Suction

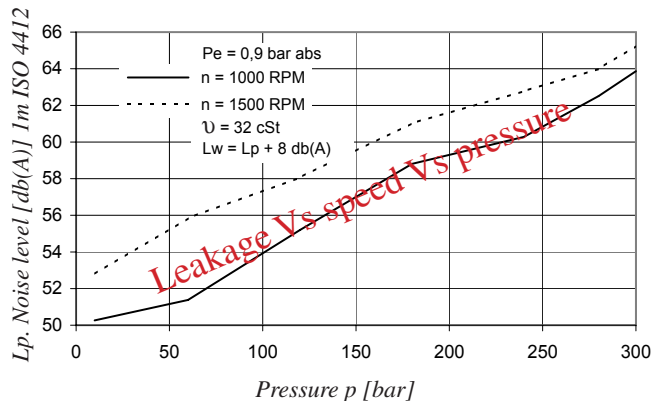


**INTERNAL LEAKAGE (TYPICAL)**

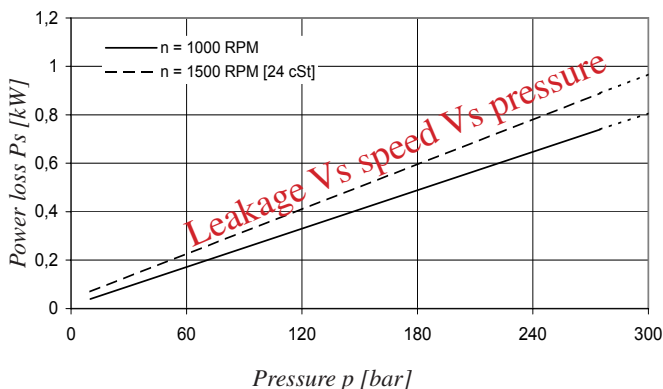


Do not operate pump more than 5 seconds at any speed or viscosity if internal leakage is higher than 50% of theoretical flow.

**NOISE LEVEL (TYPICAL) - T7AS - B20**

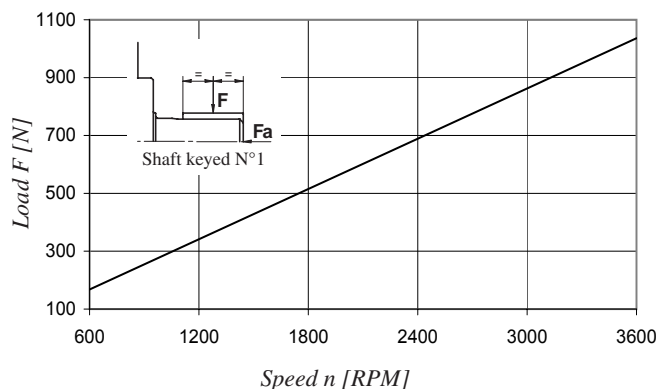


**POWER LOSS HYDROMECHANICAL (TYPICAL)**

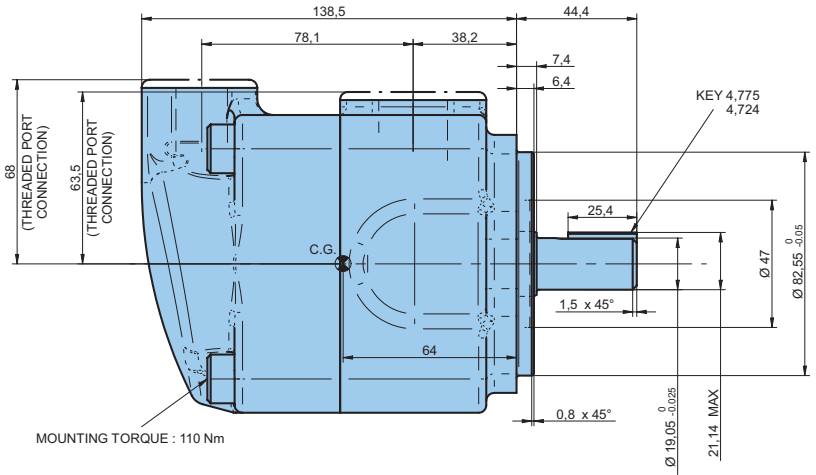
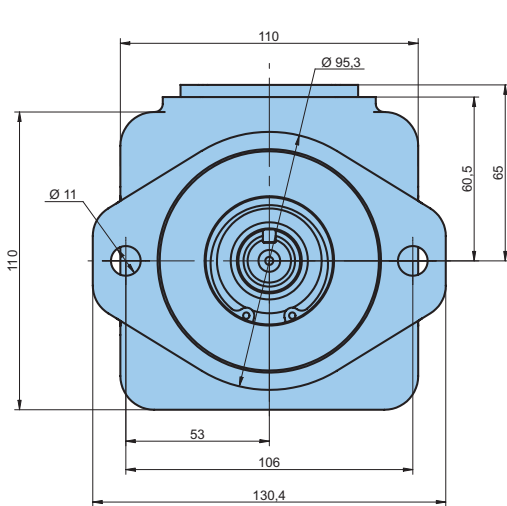


\* Cartridge designation is now in ml/rev. (example : B22 = 22,5 ml/rev.)

**PERMISSIBLE RADIAL LOAD**

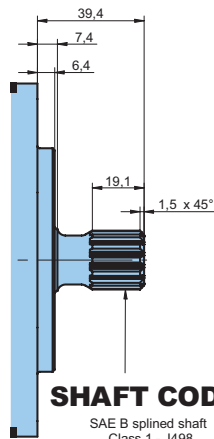
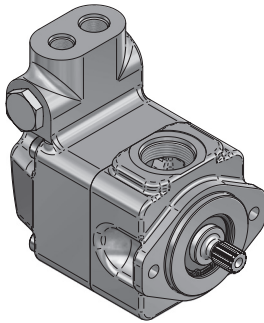


Maximum permissible axial load  $F_a = 600\text{ N}$



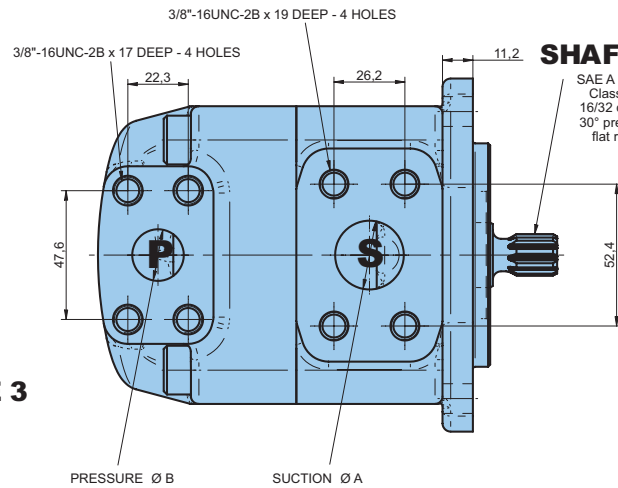
**SHAFT CODE 1**  
Keyed (non SAE)

Option : built in valve



**SHAFT CODE 3**

SAE B splined shaft  
Class 1 - J498  
16/32 d.p. - 13 teeth  
30° pressure angle  
flat root side fit



**SHAFT CODE 4**

SAE A splined shaft  
Class 1 - J498  
16/32 d.p. - 9 teeth  
30° pressure angle  
flat root side fit

Code	00	02	03	04
A	Ø 25,40	SAE # 16 1.5/16" - 12 UNF - 2B	1.1/14" NPTF	1" BSP
B	Ø 19,05	SAE # 12 1.1/16" - 12 UNF - 2B	3/4" NPTF	3/4" BSP

Shaft torque limits [ml/rev. x bar]	
Shaft	Vi x p max.
1	8720
3	8720
4	6550



If inlet velocity > 1,9 m/s, please contact Parker.

**OPERATING CHARACTERISTICS - TYPICAL [24 cSt]**

Pressure port	Series	Vi Volumetric displacement	Flow $q_{vc}$ [l/min] & n = 1500 RPM			Input power P [kW] & n = 1500 RPM		
			p = 0 bar	p = 140 bar	p = 300 bar	p = 7 bar	p = 140 bar	p = 300 bar
T7AS	B06	5,8 ml/rev	8,7	7,0	5,2	0,2	2,7	6,0
	B10	9,8 ml/rev	14,7	13,0	11,2	0,3	4,1	9,0
	B11	11,0 ml/rev	16,5	14,8	13,0	0,4	4,5	9,9
	B13	12,8 ml/rev	19,2	17,5	15,7	0,4	5,1	11,3
	B17	17,2 ml/rev	25,8	24,1	22,3	0,5	6,6	14,6
	B20	19,8 ml/rev	29,7	28,0	26,2	0,6	7,6	16,5
	B22	22,5 ml/rev	33,8	32,1	30,2	0,6	8,5	18,6
B25	24,9 ml/rev	37,4	35,7	33,8 <sup>1)</sup>	0,7	9,3	20,4 <sup>1)</sup>	

<sup>1)</sup> B25 = 275 bar max. int.

**Model No.**

**T7ASW - B32 - 1 R 00 - A 1 - 00 - ..**

**T7ASW series - SAE A 2 bolts**  
J744 mounting flange

**Displacement \***  
Volumetric displacement (ml/rev.)  
B26 = 26,0  
B28 = 28,0  
B30 = 30,0  
B32 = 31,8  
B34 = 34,0  
B36 = 36,0  
B40 = 40,0

**Type of shaft T7ASW**  
1 = keyed (non SAE) Ø 19,05  
3 = splined 16/32 (SAE B) 13 teeth  
4 = splined 16/32 (non SAE) 11 teeth

**Direction of rotation (shaft end view)**  
R = Clockwise  
L = Counter-clockwise

**Modifications**

**Mounting w/connection variables**

00 = 4 bolts SAE flanges (J518) UNC threads  
S = 1.1/4" SAE  
P = 3/4" SAE  
02 = SAE thread  
S = 1.5/8" (SAE 20)  
P = 1.1/16" (SAE 12)  
03 = NPTF & SAE threads  
S = 1.1/4" NPTF  
P = 1.1/16" (SAE 12)  
04 = BSP threads  
S = 1.1/4" BSP  
P = 3/4" BSP

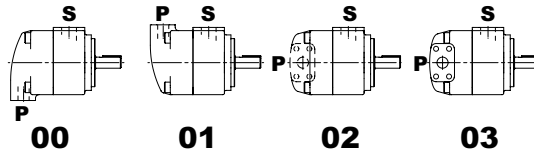
**Seal class**

1 = S1 BUNA N - 0,7 bar max. (for mineral oil)

**Design letter**

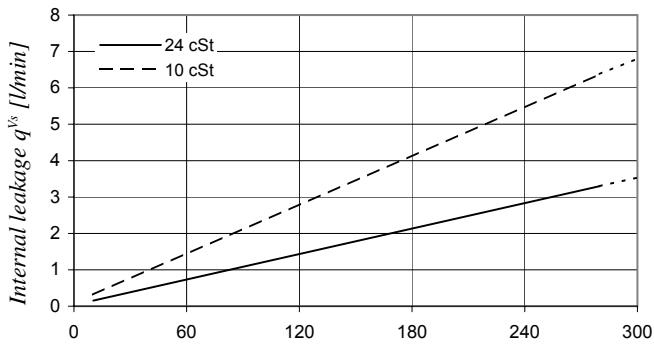
**Porting combination**

00 = standard



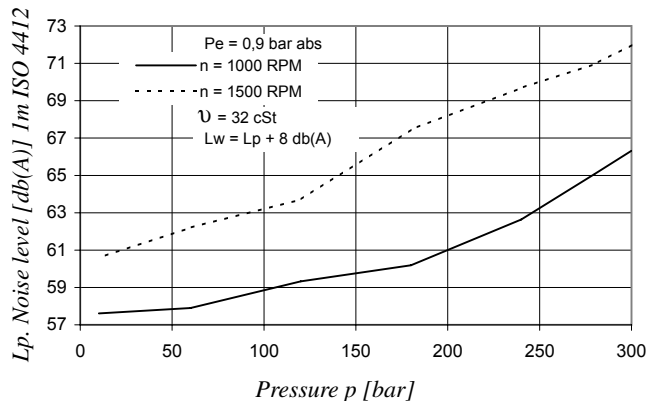
P = Pressure  
S = Suction

**INTERNAL LEAKAGE (TYPICAL)**

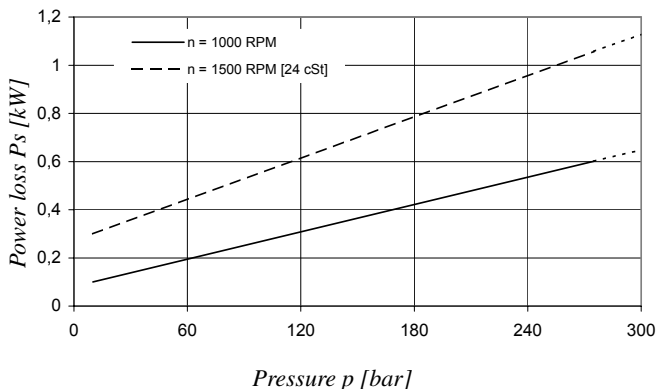


Do not operate pump more than 5 seconds at any speed or viscosity if internal leakage is higher than 50% of theoretical flow.

**NOISE LEVEL (TYPICAL) - T7ASW B28**

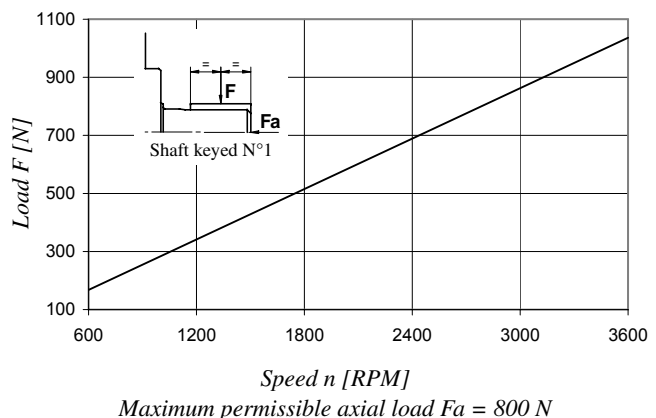


**POWER LOSS HYDROMECHANICAL (TYPICAL)**

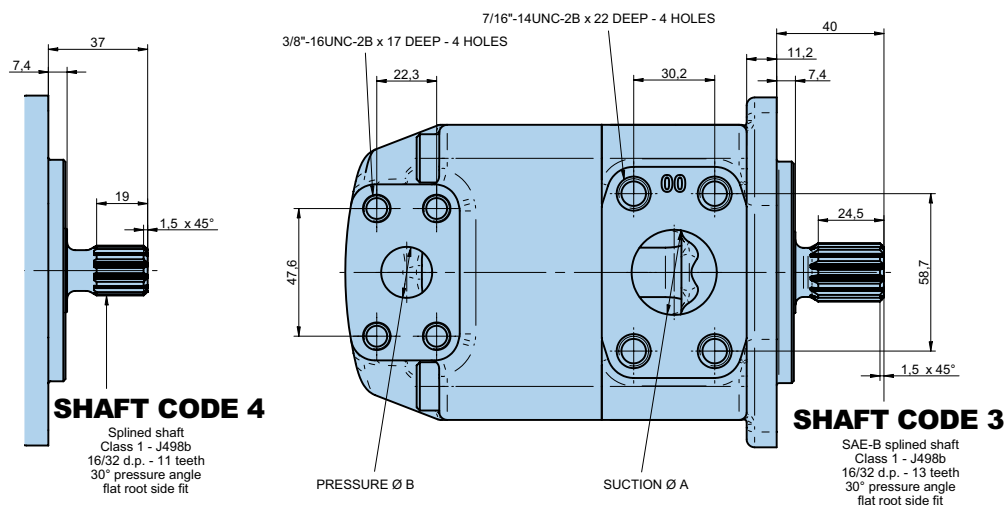
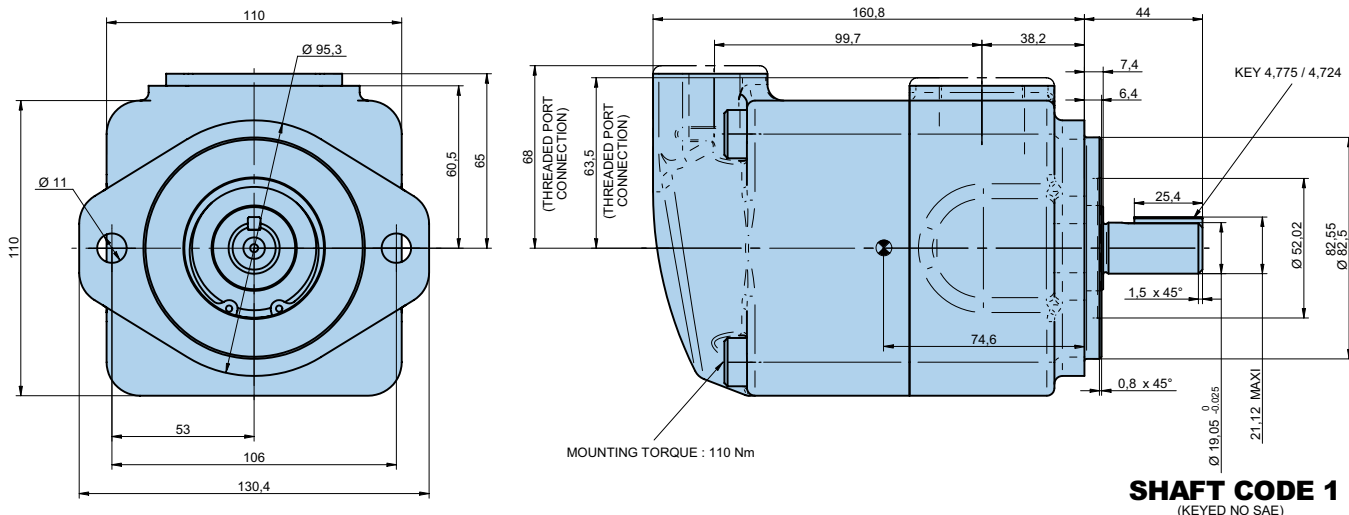


\* Cartridge designation is now in ml/rev. (example : B26 = 26 ml/rev.)

**PERMISSIBLE RADIAL LOAD**



Maximum permissible axial load Fa = 800 N



Code	00	02	03	04
A	Ø 31,80	SAE # 20 1.5/8" - 12 UNF - 2B	1.1/14" NPTF	1.1/4" BSP
B	Ø 19,05	SAE # 12 1.1/16" - 12 UNF - 2B	SAE # 12 1.1/16" - 12 UNF - 2B	3/4" BSP

Shaft torque limits [ml/rev. x bar]	
Shaft	Vi x p max.
1	18530
3	18530
4	12660



If inlet velocity > 1,9 m/s, please contact Parker.

**OPERATING CHARACTERISTICS - TYPICAL [24 cSt]**

Pressure port	Series	Vi Volumetric displacement	Flow q <sub>v</sub> [l/min] & n = 1500 RPM			Input power P [kW] & n = 1500 RPM		
			p = 0 bar	p = 140 bar	p = 300 bar	p = 7 bar	p = 140 bar	p = 300 bar
T7ASW	B26	26,0 ml/rev	39,0	37,3	35,5	0,8	9,5	20,6
	B28	28,0 ml/rev	42,0	40,3	38,5	0,9	10,2	22,1
	B30	30,0 ml/rev	45,0	43,3	41,5	0,9	10,9	23,6
	B32	31,8 ml/rev	47,7	46,0	44,2	0,9	11,6	25,0
	B34	34,0 ml/rev	51,0	49,3	47,5 <sup>1)</sup>	1,0	12,3	26,6 <sup>1)</sup>
	B36	36,0 ml/rev	54,0	52,3	50,5 <sup>1)</sup>	1,0	13,0	28,1 <sup>1)</sup>
	B40	40,0 ml/rev	60,0	58,3	56,5 <sup>1)</sup>	1,1	14,4	31,1 <sup>1)</sup>

<sup>1)</sup> B34 - B36 - B40 = 280 bar max. int.

**Model No.**

**T7B or T7BS - B10 - 1 R 00 - A 1 - M0 - ..**

**T7B series - 100 A2 HW**  
ISO 2 bolts 3019-2 mounting flange

**T7BS series - SAE B 2 bolts**  
J744 mounting flange

**Displacement**

Volumetric displacement (ml/rev.)  
 B02 = 5,8    B07 = 22,5    B11 = 35,0  
 B03 = 9,8    B08 = 24,9    B12 = 41,0  
 B04 = 12,8    B09 = 28,0    B14 = 45,0  
 B05 = 15,9    B10 = 31,8    B15 = 50,0  
 B06 = 19,8

**Type of shaft T7B - T7BS**  
2 = keyed (ISO R775)

**Type of shaft T7BS**  
1 = keyed (SAE B) Ø 22,2  
3 = splined (SAE B) 13 teeth  
4 = splined (SAE BB) 15 teeth

**Modifications**

**Mounting w/connection variables**  
4 bolts SAE flange J518

	T7B-T7BS		T7BS	
	Metric thread	UNC thread	00	01
P	1"	3/4"	1"	3/4"
S	1.1/2"			

**Seal class**

1 = S1 BUNA N - 0,7 bar max. (for mineral oil)  
 4 = S4 EPDM - 0,7 bar max. (for fire resistant fluids)  
 5 = S5 VITON® - 0,7 bar max. (for mineral oil and fire resistant fluids)

**Design letter**

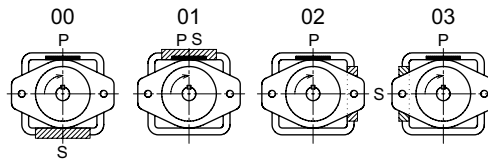
**Porting combination**

00 = standard

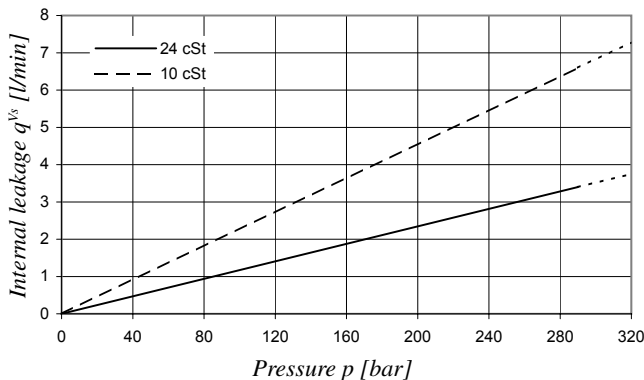
**Direction of rotation (shaft end view)**

R = Clockwise  
 L = Counter-clockwise

P = Pressure port  
 S = Suction port

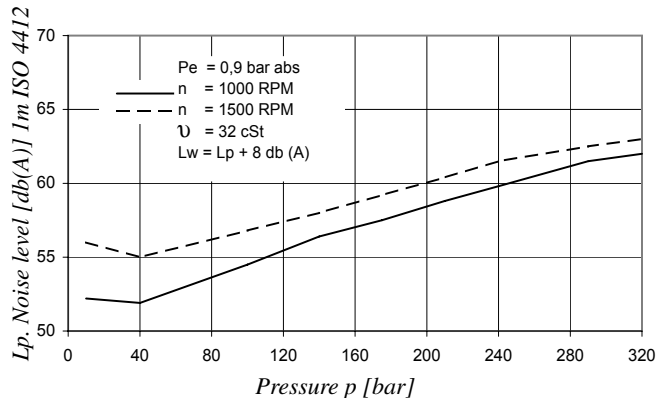


**INTERNAL LEAKAGE (TYPICAL)**

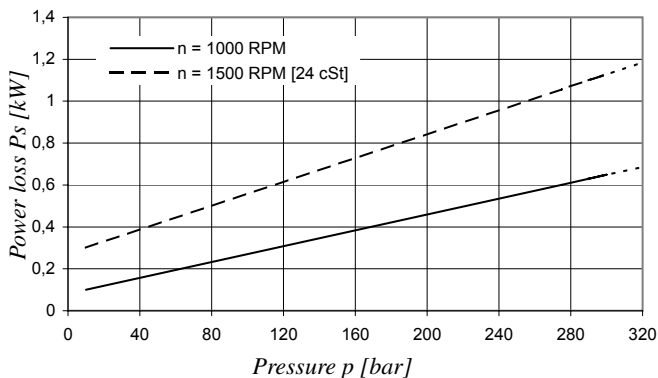


Do not operate pump more than 5 seconds at any speed or viscosity if internal leakage is higher than 50% of theoretical flow.

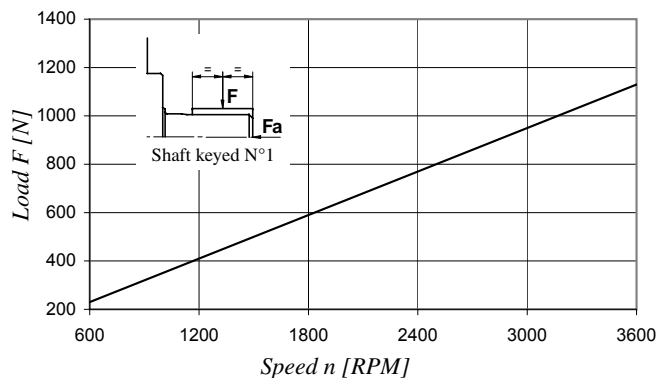
**NOISE LEVEL (TYPICAL) - T7B - B10**



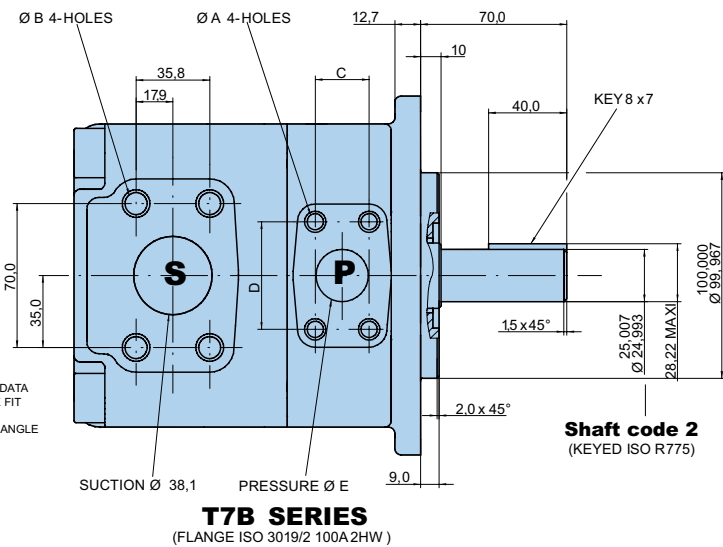
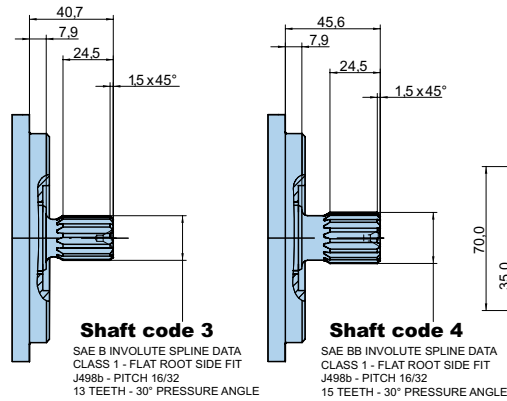
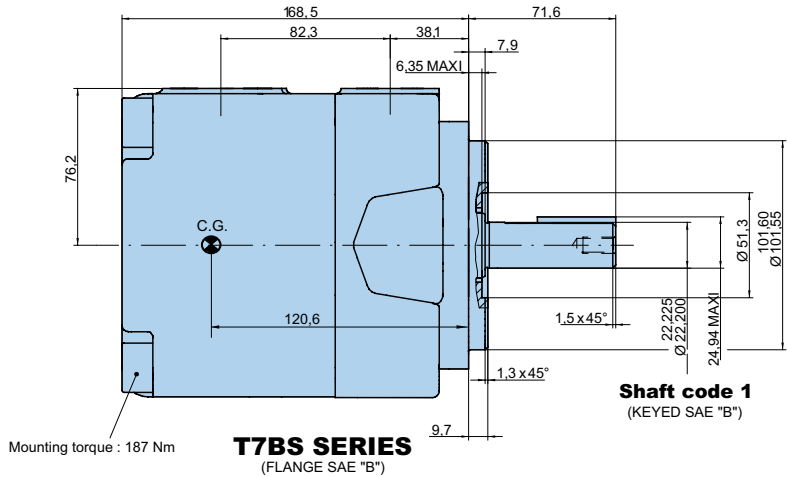
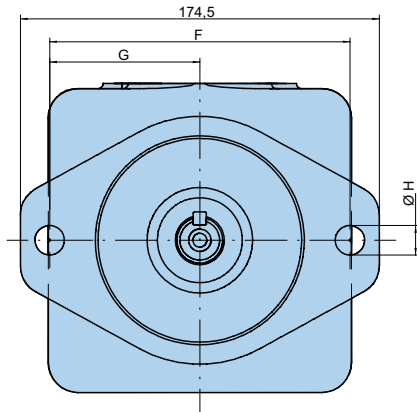
**POWER LOSS HYDROMECHANICAL (TYPICAL)**



**PERMISSIBLE RADIAL LOAD**



Maximum permissible axial load Fa = 800 N



Model	T7B		T7BS	
	M0	M1	00	01
Ø A	M10 x 19 deep		3/8"-16 UNC x 19 deep	
Ø B	M12 x 22,4 deep		1/2"-13 UNC x 22,4 deep	
C	26,20	22,25	26,20	22,25
D	52,4	47,65	52,4	47,65
Ø E	25,4	19,1	25,4	19,1
F	140		146	
G	70		73	
Ø H	14,0		14,3	

Shaft torque limits [ml/rev. x bar]	
Shaft	Vi x p max.
1	16500
2	20600
3	20600
4	20600

**OPERATING CHARACTERISTICS - TYPICAL [24 cSt]**

Pressure port	Series	Vi Volumetric displacement	Flow q <sub>v</sub> [l/min] & n = 1500 RPM			Input power P [kW] & n = 1500 RPM		
			p = 0 bar	p = 140 bar	p = 320 bar	p = 7 bar	p = 140 abr	p = 320 bar
T7B T7BS	B02	5,8 ml/rev	8,7	7,0	4,8	0,5	2,6	5,4
	B03	9,8 ml/rev	14,7	13,0	10,8	0,6	4,0	8,6
	B04	12,8 ml/rev	19,2	17,5	15,3	0,6	5,0	11,0
	B05	15,9 ml/rev	23,9	22,2	20,0	0,7	6,1	13,5
	B06	19,8 ml/rev	29,7	28,0	25,8	0,7	7,5	16,6
	B07	22,5 ml/rev	33,7	32,0	29,9	0,8	8,5	18,8
	B08	24,9 ml/rev	37,4	35,7	33,5	0,8	9,3	20,7
	B09	28,0 ml/rev	42,0	40,3	38,1	0,9	10,4	23,2
	B10	31,8 ml/rev	47,7	46,0	43,8	0,9	11,7	26,2
	B11	35,0 ml/rev	52,5	50,8	48,9 <sup>1)</sup>	1,0	12,8	27,0 <sup>1)</sup>
	B12	41,0 ml/rev	61,5	59,8	57,9 <sup>1)</sup>	1,1	14,9	31,5 <sup>1)</sup>
	B14	45,0 ml/rev	67,5	65,8	63,9 <sup>1)</sup>	1,2	16,3	34,5 <sup>1)</sup>
B15	50,0 ml/rev	75,0	73,3	71,6 <sup>2)</sup>	1,3	18,1	35,7 <sup>2)</sup>	

1) B11 - B12 - B14 = 300 bar max. int.

2) B15 = 280 bar max. int.

**Model No.**

**T6C\* - 022 - 1 R 00 - B 1 - ..**

**Series - SAE B 2 bolts**

J744 mounting flange

\* Rear drive option available, please contact Parker

**Displacement**

Volumetric displacement (ml/rev.)

003 = 10,8	017 = 58,3
005 = 17,2	020 = 63,8
006 = 21,3	022 = 70,3
008 = 26,4	025 = 79,3
010 = 34,1	028 = 88,8
012 = 37,1	031 = 100,0
014 = 46,0	

**Type of shaft**

1 = keyed (SAE B) Ø 22,2

2 = keyed (non SAE)

3 = splined (SAE B) 13 teeth

4 = splined (SAE BB) 15 teeth

**Modifications**

**Seal class**

1 = S1 BUNA N - 0,7 bar max. (for mineral oil)

4 = S4 EPDM - 7 bar max. (for fire resistant fluids)

5 = S5 VITON® - 7 bar max. (for mineral oil and fire resistant fluids)

**Design letter**

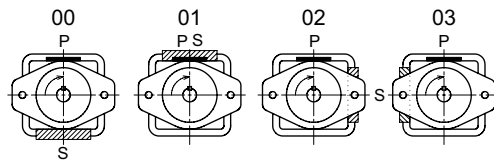
**Porting combination**

00 = standard

**Direction of rotation (shaft end view)**

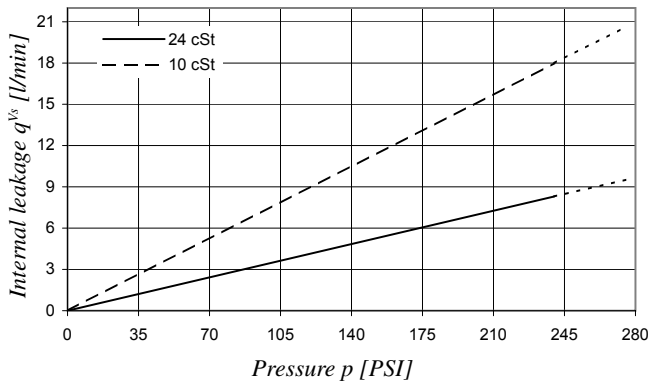
R = Clockwise

L = Counter-clockwise



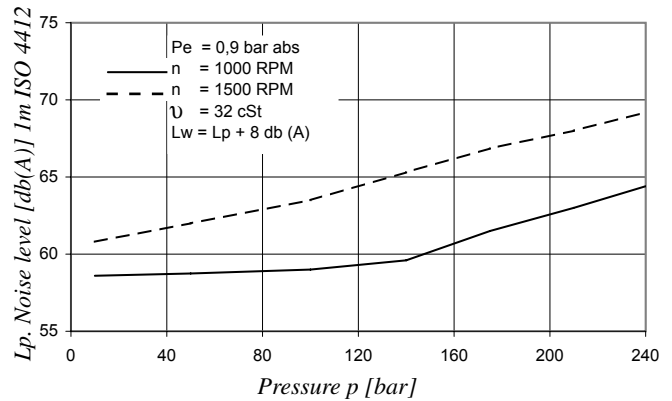
P = Pressure port  
 S = Suction port

**INTERNAL LEAKAGE (TYPICAL)**

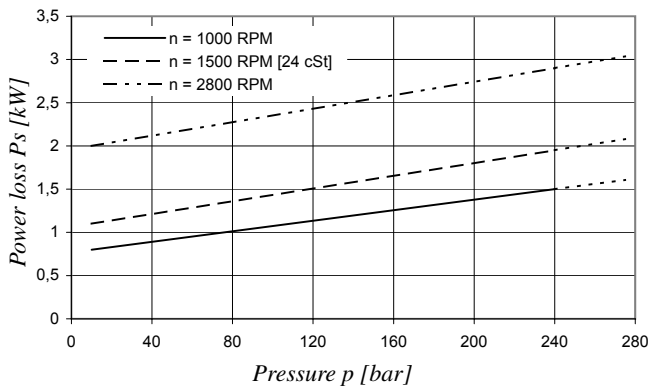


Do not operate pump more than 5 seconds at any speed or viscosity if internal leakage is higher than 50% of theoretical flow.

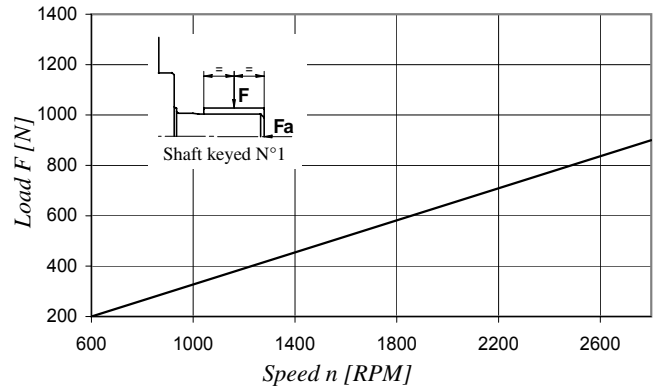
**NOISE LEVEL (TYPICAL) - T6C - 022**



**POWER LOSS HYDROMECHANICAL (TYPICAL)**

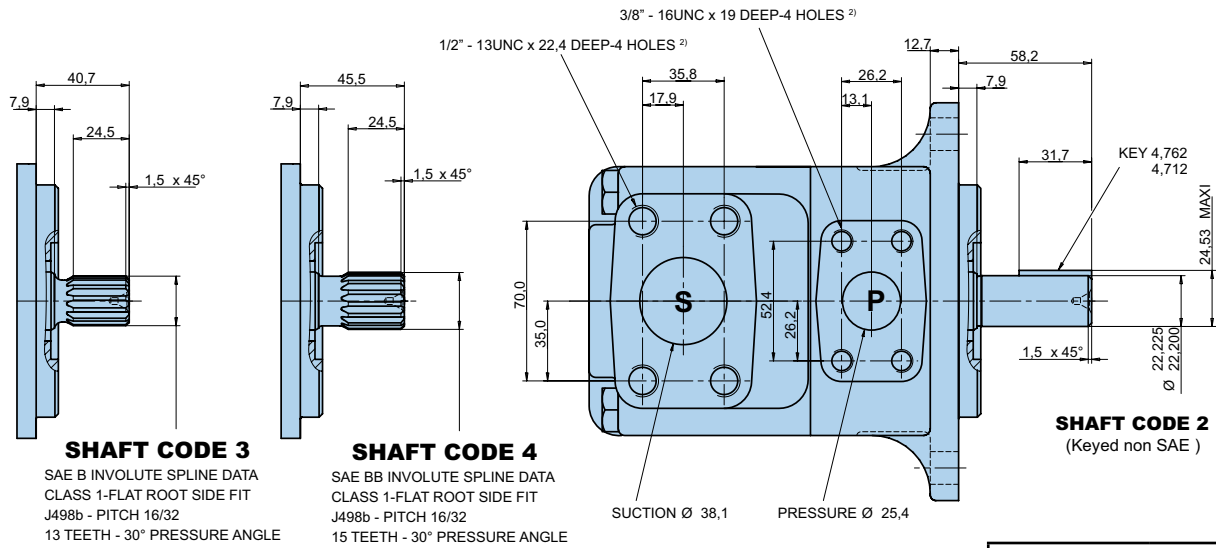
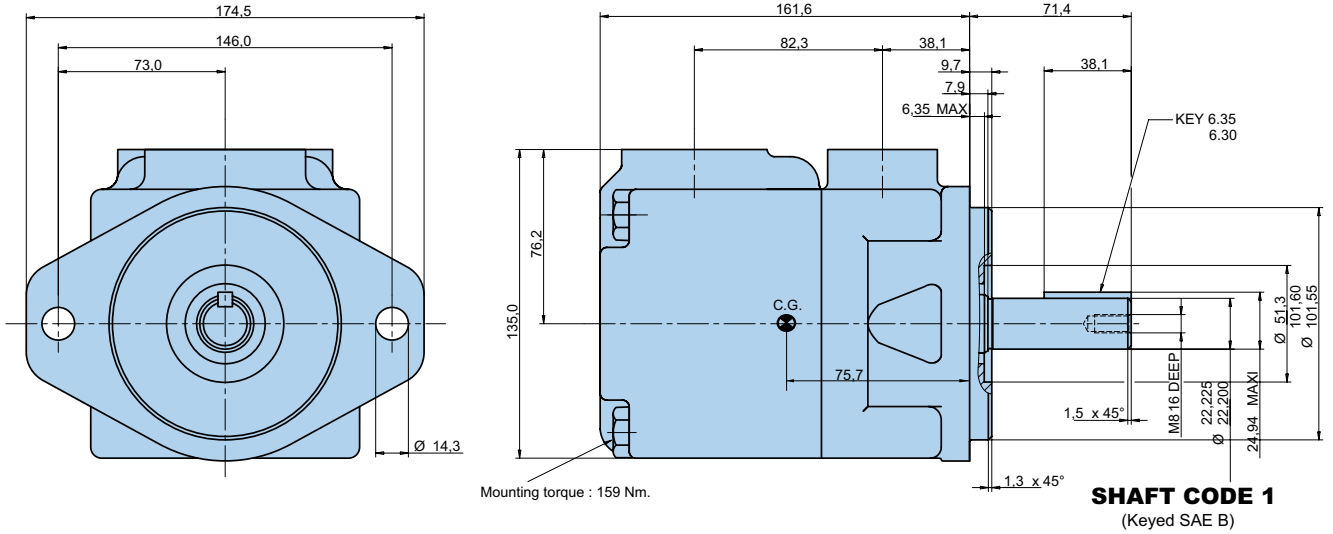


**PERMISSIBLE RADIAL LOAD**



Maximum permissible axial load  $F_a = 800 \text{ N}$





Shaft torque limits [ml/rev. x bar]	
Shaft	Vi x p max.
1	16340
2	14300
3	20600
4	21800

**OPERATING CHARACTERISTICS - TYPICAL [24 cSt]**

Pressure port	Series	Vi Volumetric displacement	Flow q <sub>v</sub> [l/min] & n = 1500 RPM			Input power P [kW] & n = 1500 RPM		
			p = 0 bar	p = 140 bar	p = 240 bar	p = 7 bar	p = 140 bar	p = 240 bar
T6C	003	10,8 ml/rev	16,2	11,2	7,7	1,3	5,3	8,4
	005	17,2 ml/rev	25,8	20,8	17,3	1,4	7,5	12,2
	006	21,3 ml/rev	31,9	26,9	23,4	1,5	8,9	14,7
	008	26,4 ml/rev	39,6	34,6	31,1	1,6	10,7	17,7
	010	34,1 ml/rev	51,1	46,1	42,6	1,7	13,4	22,3
	012	37,1 ml/rev	55,6	50,6	47,1	1,7	14,4	24,1
	014	46,0 ml/rev	69,0	64,0	60,5	1,9	17,6	29,5
	017	58,3 ml/rev	87,4	82,4	78,9	2,1	21,9	36,9
	020	63,8 ml/rev	95,7	90,7	87,2	2,2	23,8	40,2
	022	70,3 ml/rev	105,4	100,4	96,9	2,3	26,1	44,1
	025	79,3 ml/rev	118,9	113,9	110,4	2,5	29,2	49,5
	028	88,8 ml/rev	133,2	128,2	125,8 <sup>1)</sup>	2,8	32,7	48,5 <sup>1)</sup>
031	100,0 ml/rev	150,0	145,0	142,6 <sup>1)</sup>	2,8	36,5	54,4 <sup>1)</sup>	

<sup>1)</sup> 028 - 031 = 210 bar max. int.

<sup>2)</sup> Port connection can be supplied with metric threads (Please contact Parker).

**Model No.**

**T7D\* or T7DS - B42 - 1 R 00 - A 1 - M0 - ..**

**T7D series - 125 A2 HW**  
ISO 2 bolts 3019-2 mounting flange

**T7DS series - SAE C 2 bolts**  
J744 mounting flange

\* Rear drive option available, please contact Parker

**Displacement**

Volumetric displacement (ml/rev.)

- B14 = 44,0    B31 = 99,2
- B17 = 55,0    B35 = 113,4
- B20 = 66,0    B38 = 120,6
- B22 = 70,3    B42 = 137,5
- B24 = 81,1    045 = 145,7
- B28 = 90,0    050 = 158,0

**Type of shaft T7D - T7DS**

5 = keyed (ISO 3019-2 - G32M)

**Type of shaft T7DS**

- 1 = keyed (SAE C) Ø 31,7
- 2 = keyed (non SAE)
- 3 = splined (SAE C) 14 teeth
- 4 = splined (non SAE)

**Modifications**

**Mounting w/connection variables**

4 bolts SAE flange J518

	P = 1.1/4" - S = 2"	
	Metric thread	UNC thread
<b>T7D</b>	M0	
<b>T7DS</b>	M0	Y0 <sup>1)</sup> 00

<sup>1)</sup> 250 bar max. int.

**Seal class**

- 1 = S1 BUNA N - 0,7 bar max. (for mineral oil)
- 4 = S4 EPDM - 7 bar max. (for fire resistant fluids)
- 5 = S5 VITON® - 7 bar max. (for mineral oil and fire resistant fluids)

**Design letter**

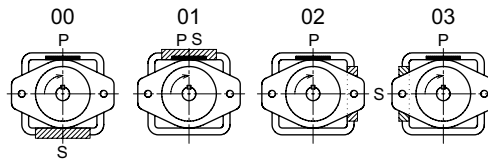
**Porting combination**

00 = standard

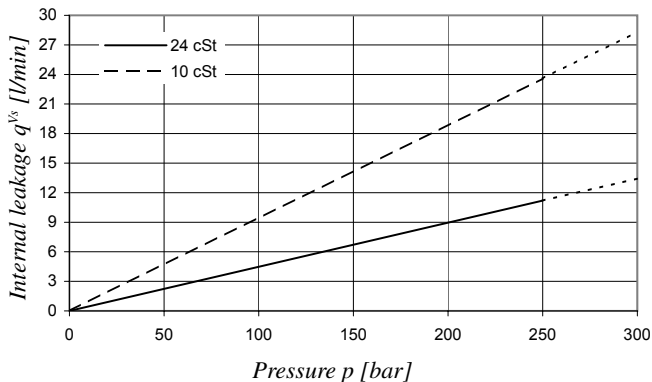
**Direction of rotation (shaft end view)**

- R = Clockwise
- L = Counter-clockwise

- P = Pressure port
- S = Suction port

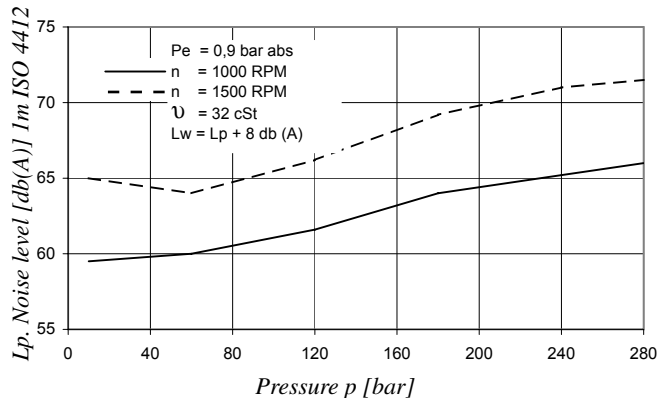


**INTERNAL LEAKAGE (TYPICAL)**

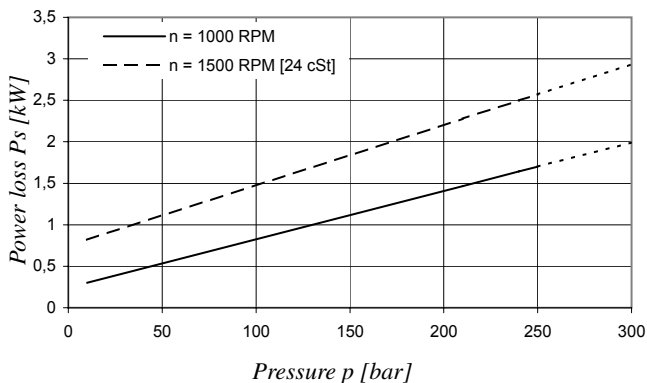


Do not operate pump more than 5 seconds at any speed or viscosity if internal leakage is higher than 50% of theoretical flow.

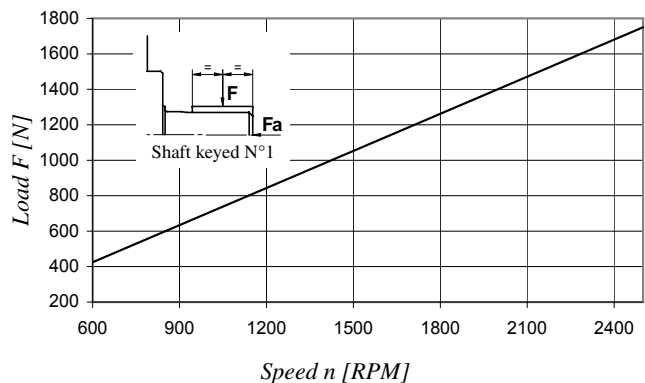
**NOISE LEVEL (TYPICAL) - T7D - B31**



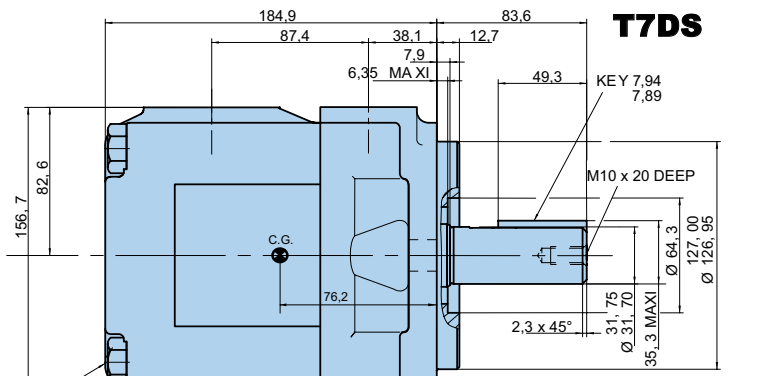
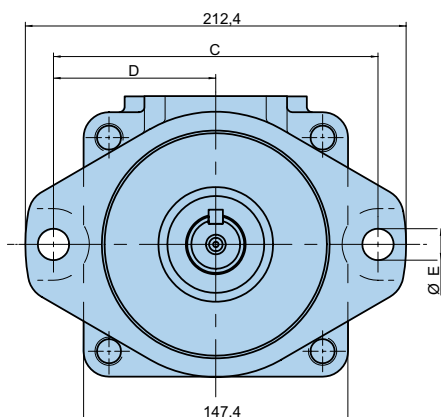
**POWER LOSS HYDROMECHANICAL (TYPICAL)**



**PERMISSIBLE RADIAL LOAD**

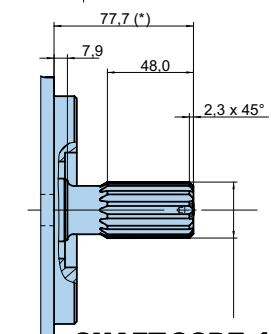


Maximum permissible axial load Fa = 1200 N



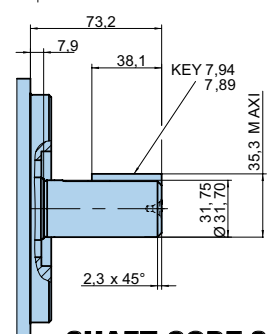
**T7DS**

**SHAFT CODE 1**  
(Keyed SAE C)



**SHAFT CODE 4**

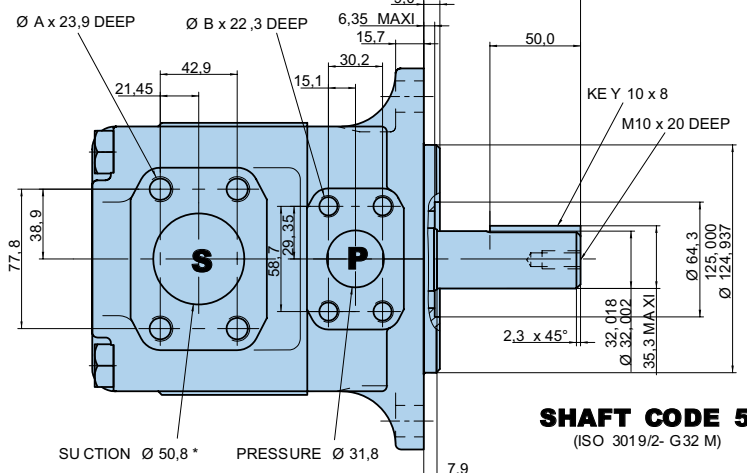
SAE C Spc (°) INVOLUTE SPLINE DATA  
CLASS 1-FLAT ROOT SIDE FIT  
J498 b - PITCH 12/24  
14 TEETH - 30° PRESSURE ANGLE



**SHAFT CODE 2**

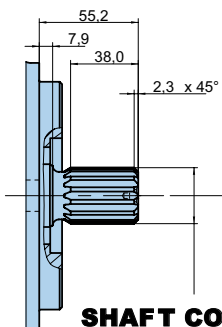
(Keyed non SAE)

MOUNTING TORQUE : 187 Nm



**SHAFT CODE 5**

(ISO 3019/2- G32 M)



**SHAFT CODE 3**

SAE C INVOLUTE SPLINE DATA  
CLASS 1-FLAT ROOT SIDE FIT  
J498b - PITCH 12/24  
14 TEETH - 30° PRESSURE ANGLE

**T7D**

Model	T7D	T7DS		
Code	M0	00	M0	YO <sup>1)</sup>
Ø A	M12	1/2" - 13 UNC	M12	M12
Ø B	M12	7/16" - 14 UNC	M12	M10
C	180,0	181,0		
D	90,0	90,5		
Ø E	18,0	17,5		

<sup>1)</sup> 250 bar max. int.

Shaft torque limits [ml/rev. x bar]	
Shaft	Vi x p max.
1	43240
2	34590
3	61200
4	61200
5	44300

**OPERATING CHARACTERISTICS - TYPICAL [24 cSt]**

Pressure port	Series	Vi Volumetric displacement	Flow q <sub>v</sub> [l/min] & n = 1500 RPM			Input power P [kW] & n = 1500 RPM		
			p = 0 bar	p = 140 bar	p = 300 bar	p = 7 bar	p = 140 bar	p = 300 bar
T7D T7DS	B14	44,0 ml/rev	66,0	59,4	51,9	1,5	16,6	34,2
	B17	55,0 ml/rev	82,5	75,9	68,4	1,7	20,4	42,4
	B20	66,0 ml/rev	99,0	92,4	84,9	1,9	24,3	50,7
	B22	70,3 ml/rev	105,5	98,8	91,3	2,0	25,8	53,9
	B24	81,1 ml/rev	121,7	115,0	107,5	2,2	29,5	62,0
	B28	90,0 ml/rev	135,0	128,4	120,9	2,3	32,7	68,7
	B31	99,2 ml/rev	148,8	142,2	134,7	2,5	35,9	75,6
	B35	113,4 ml/rev	170,1	163,5	156,9 <sup>1)</sup>	2,7	40,8	80,5 <sup>1)</sup>
	B38	120,6 ml/rev	180,9	174,3	167,7 <sup>1)</sup>	2,9	43,4	85,6 <sup>1)</sup>
	B42	137,5 ml/rev	206,3	199,6	194,0 <sup>2)</sup>	3,2	49,3	90,5 <sup>2)</sup>
	045	145,7 ml/rev	218,6	209,2	202,6 <sup>3)</sup>	4,1	52,8	89,5 <sup>3)</sup>
050	158,0 ml/rev	237,0	227,7	223,0 <sup>4)</sup>	4,4	57,1	85,0 <sup>4)</sup>	

<sup>1)</sup> B35 - B38 = 280 bar max. int. <sup>2)</sup> B42 = 260 bar max. int. <sup>3)</sup> 045 = 240 bar max. int. <sup>4)</sup> 050 = 210 bar max. int.

\* special 2.1/2" (Ø 63,5) suction also available - Please contact Parker.

**Model No.** T7E\* or T7ES - 072 - 1 R 00 - A 1 - M0 - ..

**T7E series - 125 A2 HW**  
ISO 2 bolts 3019-2 mounting flange

**T7ES series - SAE C 2 bolts**  
J744 mounting flange

\* Rear drive option available, please contact Parker.

**Displacement**  
Volumetric displacement (ml/rev.)

042 = 132,3    057 = 183,3  
045 = 142,4    062 = 196,7  
050 = 158,5    066 = 213,3  
052 = 164,8    072 = 227,1  
054 = 171,0    085 = 268,7

**Type of shaft T7E - T7ES**  
5 = keyed (ISO R775 - G38M)

**Type of shaft T7ES**  
1 = keyed (SAE CC)  
2 = keyed (non SAE)  
3 = splined (SAE C) 14 teeth  
4 = splined (SAE CC) 17 teeth

**Modifications**

**Mounting w/connection variables**  
4 bolts SAE flange J518

	T7E - T7ES Metric thread	T7ES UNC thread
	M0	00
<b>P</b>	1.1/2"	
<b>S</b>	3"	

**Seal class**

1 = S1 BUNA N - 0,7 bar max. (for mineral oil)  
4 = S4 EPDM - 7 bar max. (for fire resistant fluids)  
5 = S5 VITON® - 7 bar max. (for mineral oil and fire resistant fluids)

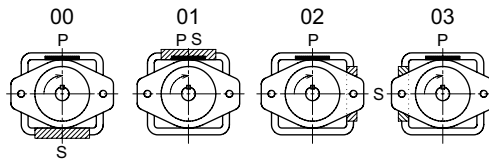
**Design letter**

**Porting combination**  
00 = standard

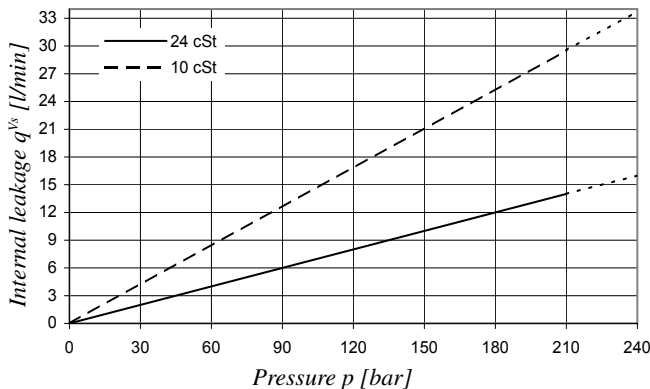
**Direction of rotation (shaft end view)**

R = Clockwise  
L = Counter-clockwise

P = Pressure port  
S = Suction port

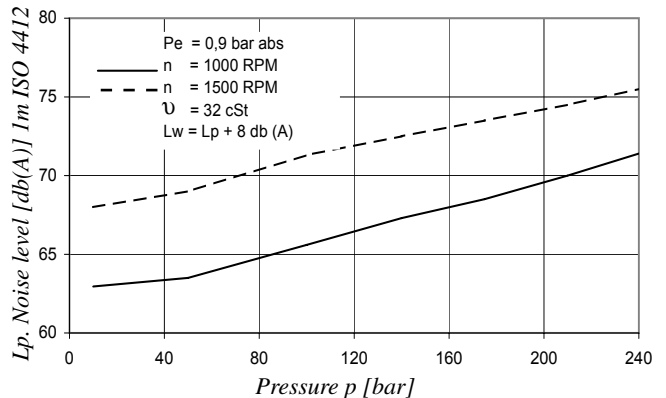


**INTERNAL LEAKAGE (TYPICAL)**

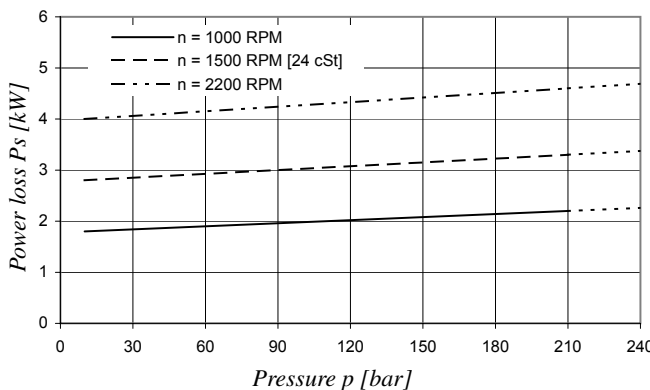


Do not operate pump more than 5 seconds at any speed or viscosity if internal leakage is higher than 50% of theoretical flow.

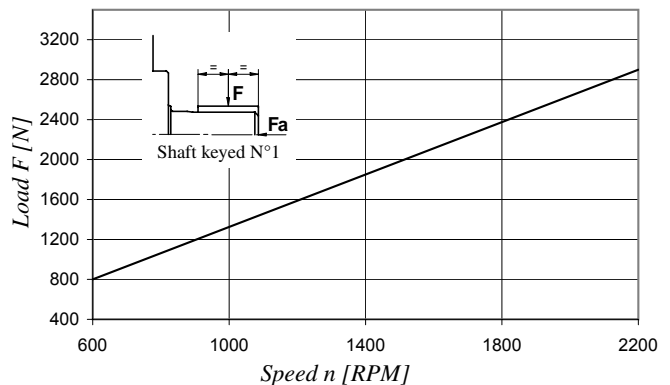
**NOISE LEVEL (TYPICAL) - T7ES - 050**



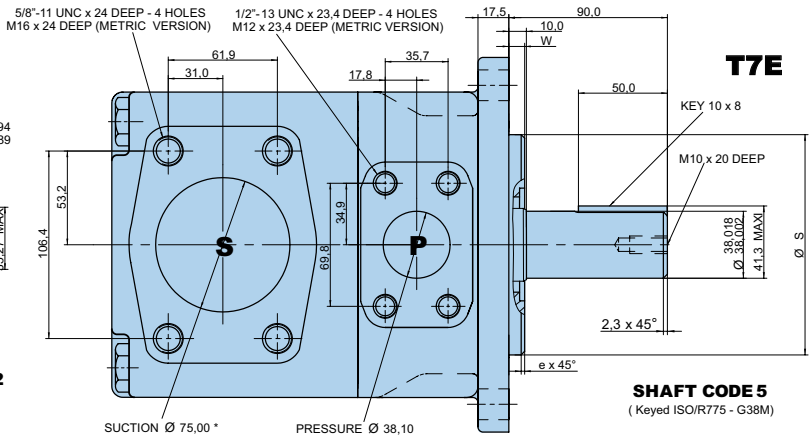
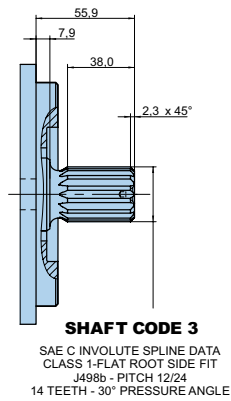
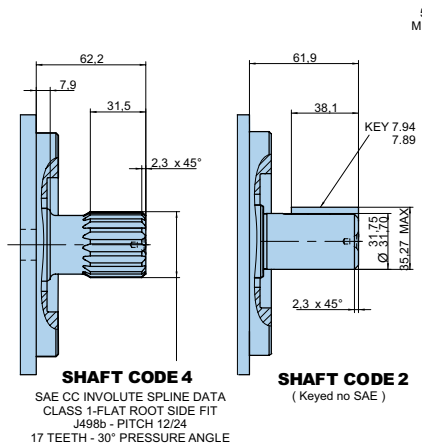
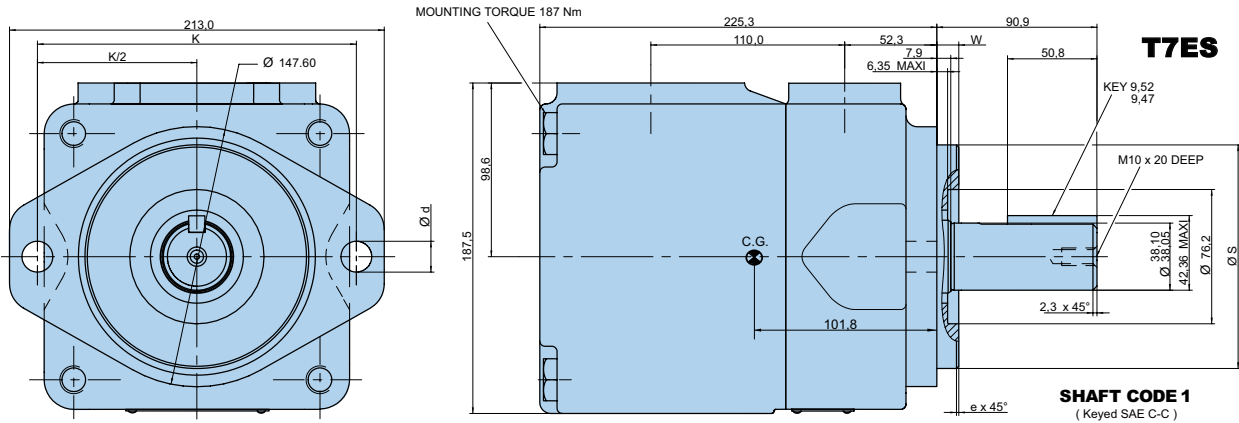
**POWER LOSS HYDROMECHANICAL (TYPICAL)**



**PERMISSIBLE RADIAL LOAD**



Maximum permissible axial load Fa = 2000 N



Shaft torque limits [ml/rev. x bar]	
Shaft	Vi x p max.
1	54500
2	34590
3	61200
4	61200
5	54500

Alternate mounting flange						
	Dia S		e x 45°	W	K	Dia d
	Max.	Min.				
T7E	125,000	124,937	2,0	9,5	180,0	18,0
T7ES	127,000	126,950	1,3	12,7	181,0	17,5

**OPERATING CHARACTERISTICS - TYPICAL [24 cSt]**

Pressure port	Series	Vi Volumetric displacement	Flow q <sub>v</sub> [l/min] & n = 1500 RPM			Input power P [kW] & n = 1500 RPM		
			p = 0 bar	p = 140 bar	p = 240 bar	p = 7 bar	p = 140 bar	p = 240 bar
T7E T7ES	042	132,3 ml/rev	198,5	188,5	181,3	5,2	49,4	82,6
	045	142,4 ml/rev	213,6	203,6	196,5	5,4	52,9	88,7
	050	158,5 ml/rev	237,7	227,7	220,6	5,7	58,5	98,3
	052	164,8 ml/rev	247,2	237,2	230,1	5,8	60,8	102,1
	054	171,0 ml/rev	256,5	246,5	239,4	5,9	63,0	105,8
	057	183,3 ml/rev	275,0	265,0	257,9	6,1	67,3	113,2
	062	196,7 ml/rev	295,0	285,0	277,9	6,4	71,9	121,3
	066	213,3 ml/rev	319,9	309,0	302,8	6,7	77,7	131,2
	072	227,1 ml/rev	340,6	330,6	323,5	6,9	82,6	139,5
	085	268,7 ml/rev	403,0	392,0 <sup>1)</sup>	-	9,1	65,8 <sup>1)</sup>	-

<sup>1)</sup> 085 = 90 bar max. int.  
 \* special 3"1/2 (Ø 88,9) suction also available - Please contact Parker.



**Model No.** T7BB or T7BBS - B10 - B10 - 1 R 00 - A 1 - M1 - ..

**T7BB series - 100 A2 HW**  
ISO 2 bolts 3019-2 mounting flange

**T7BBS series - SAE B 2 bolts**  
J744 mounting flange

**Displacement P1 & P2**  
Volumetric displacement (ml/rev.)

- B02 = 5,8    B09 = 28,0
- B03 = 9,8    B10 = 31,8
- B04 = 12,8   B11 = 35,0
- B05 = 15,9   B12 = 41,0
- B06 = 19,8   B14 = 45,0
- B07 = 22,5   B15 = 50,0
- B08 = 24,9

**Type of shaft T7BB - T7BBS**  
5 = keyed (ISO R775)

**Type of shaft T7BBS**  
1 = keyed (non SAE)  
2 = keyed (SAE BB)  
3 = splined (SAE B) 13 teeth  
4 = splined (SAE BB) 15 teeth

**Modifications**

**Mounting w/connection variables**  
4 bolts SAE flange J518

	T7BB- T7BBS Metric thread		T7BBS UNC thread	
	M0	M1	00	01
<b>P1</b>	1"	3/4"	1"	3/4"
<b>P2</b>	3/4"			
<b>S</b>	2.1/2"			

**Seal class**

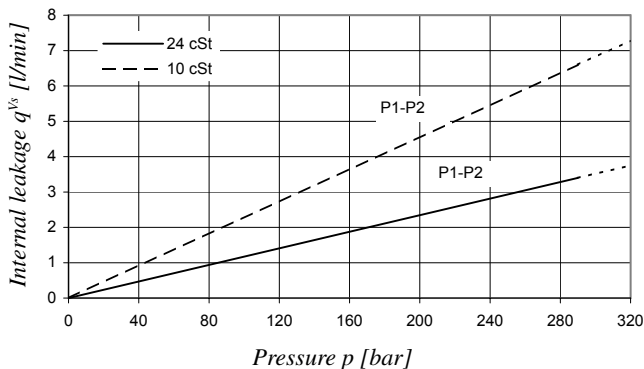
- 1 = S1 BUNA N - 0,7 bar max. (for mineral oil)
- 4 = S4 EPDM - 0,7 bar max. (for fire resistant fluids)
- 5 = S5 VITON® - 0,7 bar max. (for mineral oil and fire resistant fluids)

**Design letter**

**Porting combination (see page 72)**  
00 = standard

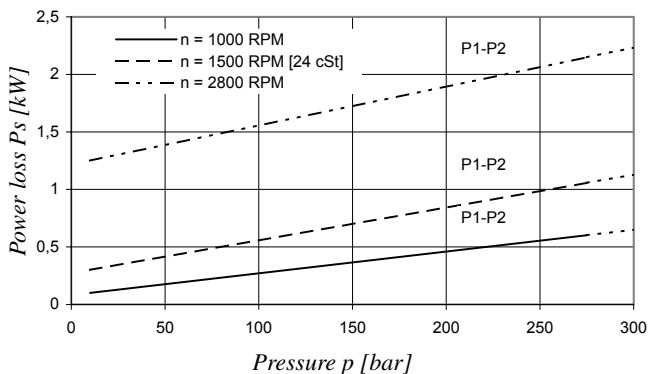
**Direction of rotation (shaft end view)**  
R = Clockwise  
L = Counter-clockwise

**INTERNAL LEAKAGE (TYPICAL)**



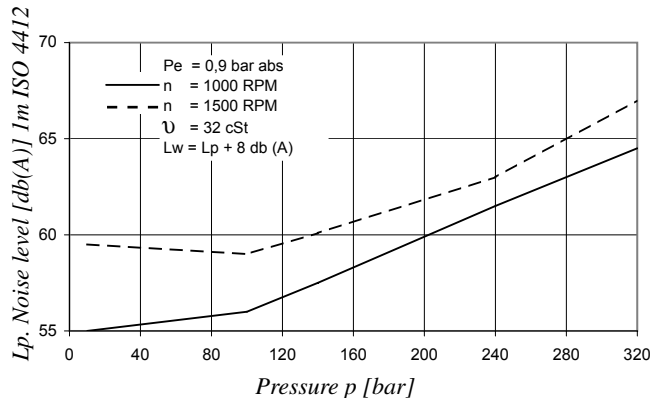
Do not operate pump more than 5 seconds at any speed or viscosity if internal leakage is higher than 50% of theoretical flow. Total leakage is the sum of each section loss under its respective operating conditions.

**POWER LOSS HYDROMECHANICAL (TYPICAL)**



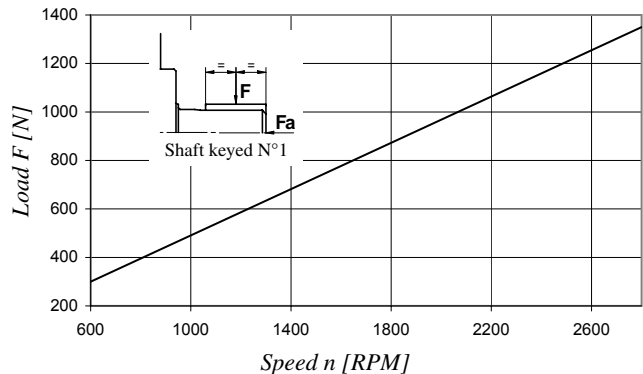
Total hydromechanical power loss is the sum of each section loss under its respective operating conditions.

**NOISE LEVEL (TYPICAL) - T7BB - B10 - B04**

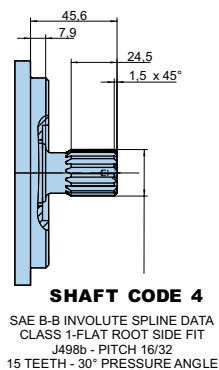
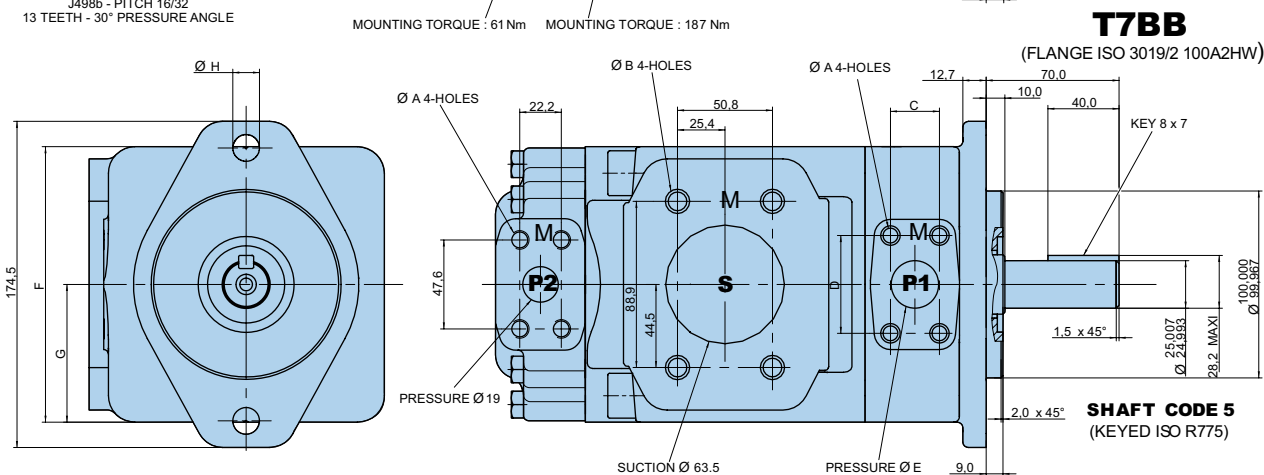
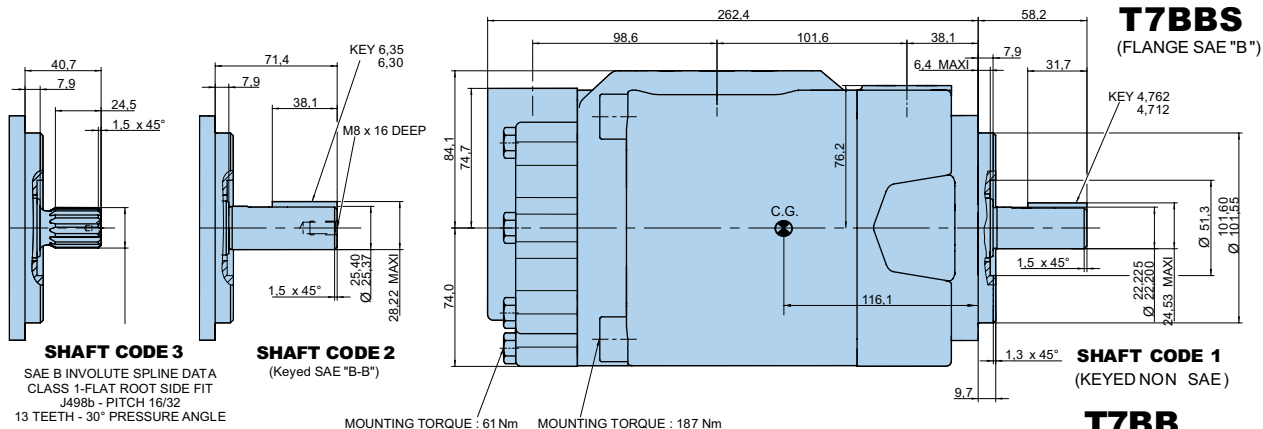


Double pump noise level is given with both stages discharging at the pressure value indicated on the curve.

**PERMISSIBLE RADIAL LOAD**



Maximum permissible axial load Fa = 800 N



Shaft torque limits [ml/rev. x bar]	
Shaft	Vi x p max.
1	14300
2	21420
3	20600
4	32670
5	25300

Model	T7BB		T7BBS	
	M0	M1	00	01
Ø A	M10 x 19 deep		3/8"-16 UNC x 19 deep	
Ø B	M12 x 22,4 deep		1/2"-13 UNC x 22,4 deep	
C	26,20	22,25	26,20	22,25
D	52,4	47,65	52,4	47,65
Ø E	25,4	19,1	25,4	19,1
F	140		146	
G	70		73	
Ø H	14,0		14,3	

**OPERATING CHARACTERISTICS - TYPICAL [24 cSt]**

Pressure port	Series	Vi Volumetric displacement	Flow q <sub>v</sub> [l/min] & n = 1500 RPM			Input power P [kW] & n = 1500 RPM		
			p = 0 bar	p = 140 bar	p = 320 bar	p = 7 bar	p = 140 bar	p = 320 bar
P1 & P2	B02	5,8 ml/rev	8,7	7,0	4,8	0,5	2,6	5,4
	B03	9,8 ml/rev	14,7	13,0	10,8	0,6	4,0	8,6
	B04	12,8 ml/rev	19,2	17,5	15,3	0,6	5,0	11,0
	B05	15,9 ml/rev	23,9	22,2	20,0	0,7	6,1	13,5
	B06	19,8 ml/rev	29,7	28,0	25,8	0,7	7,5	16,6
	B07	22,5 ml/rev	33,7	32,0	29,9	0,8	8,5	18,8
	B08	24,9 ml/rev	37,4	35,7	33,5	0,8	9,3	20,7
	B09	28,0 ml/rev	42,0	40,3	38,1	0,9	10,4	23,2
	B10	31,8 ml/rev	47,7	46,0	43,8	0,9	11,7	26,2
	B11	35,0 ml/rev	52,5	50,8	48,9 <sup>1)</sup>	1,0	12,8	27,0 <sup>1)</sup>
	B12	41,0 ml/rev	61,5	59,8	57,9 <sup>1)</sup>	1,1	14,9	31,5 <sup>1)</sup>
	B14	45,0 ml/rev	67,5	65,8	63,9 <sup>1)</sup>	1,2	16,3	34,5 <sup>1)</sup>
	B15	50,0 ml/rev	75,0	73,3	71,6 <sup>2)</sup>	1,3	18,1	35,7 <sup>2)</sup>

1) B11 - B12 - B14 = 300 bar max. int.

2) B15 = 280 bar max. int.

**Model No.** **T6CC W - 022 - 008 - 1 R 00 - C 1 00 - ..**

**Series - SAE B 2 bolts** **J744 mounting flange** **P1** **P2**

**Severe duty shaft option**

**Displacement P1 and P2**

Volumetric displacement (ml/rev.)

003 = 10,8    017 = 58,3  
 005 = 17,2    020 = 63,8  
 006 = 21,3    022 = 70,3  
 008 = 26,4    025 = 79,3  
 010 = 34,1    028 = 88,8  
 012 = 37,1    031 = 100,0  
 014 = 46,0

**Type of shaft** **Severe duty shaft (T6CCW only)**

1 = keyed (non SAE)    2 = keyed (SAE BB)  
 3 = splined (SAE BB) 15 teeth  
 5 = splined (SAE B) 13 teeth

**Direction of rotation (shaft end view)**

R = Clockwise  
 L = Counter-clockwise

**Modifications**

**Mounting w/connection variables**

P1 = 1" - S = 3"			
UNC thread		Metric thread	
00	01	0M	W0
P2	1"	3/4" <sup>1)</sup>	3/4

P1 = 1" - S = 2.1/2" <sup>2)</sup>			
UNC thread		Metric thread	
10	11	1M	W1
P2	1"	3/4" <sup>1)</sup>	3/4

<sup>1)</sup> up to 46 ml/rev. max.

<sup>2)</sup> up to 126 ml/rev. max.

Always select the largest cartridge in the front place.

**Seal class**

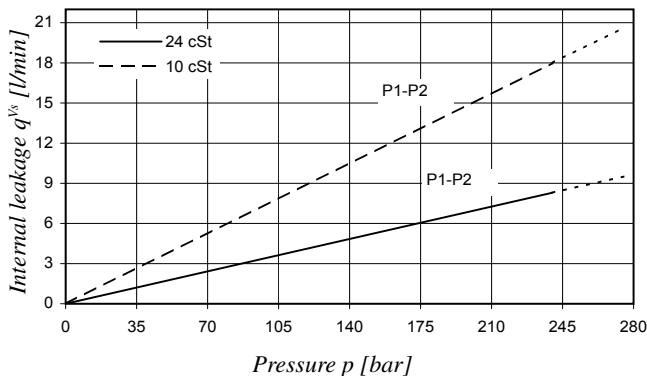
1 = S1 BUNA N - 0,7 bar max. (for mineral oil)  
 4 = S4 EPDM - 7 bar max. (for fire resistant fluids)  
 5 = S5 VITON® - 7 bar max. (for mineral oil and fire resistant fluids)

**Design letter**

**Porting combination (see page 72)**

00 = standard

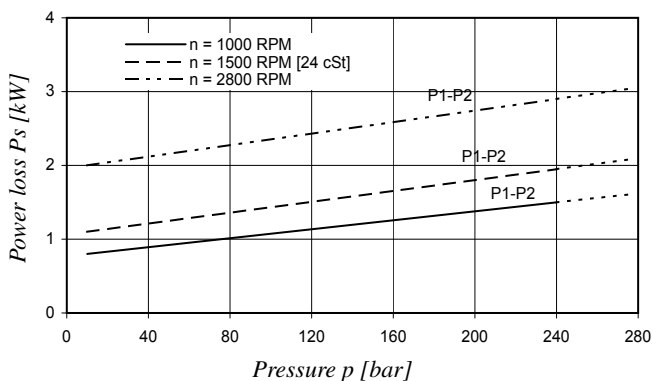
**INTERNAL LEAKAGE (TYPICAL)**



Do not operate pump more than 5 seconds at any speed or viscosity if internal leakage is higher than 50% of theoretical flow.

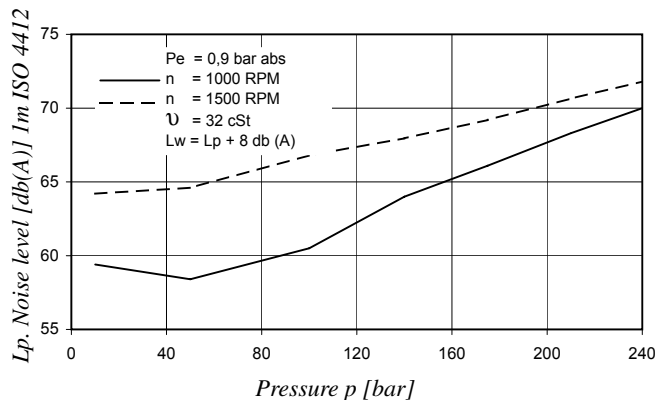
Total leakage is the sum of each section loss under its respective operating conditions.

**POWER LOSS HYDROMECHANICAL (TYPICAL)**



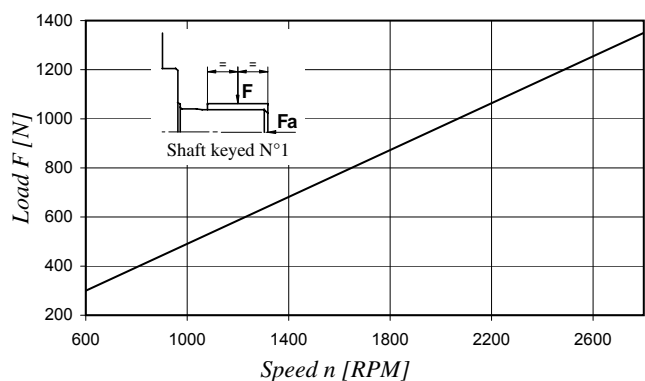
Total hydromechanical power loss is the sum of each section loss under its respective operating conditions.

**NOISE LEVEL (TYPICAL) - T6CC - 022 - 022**



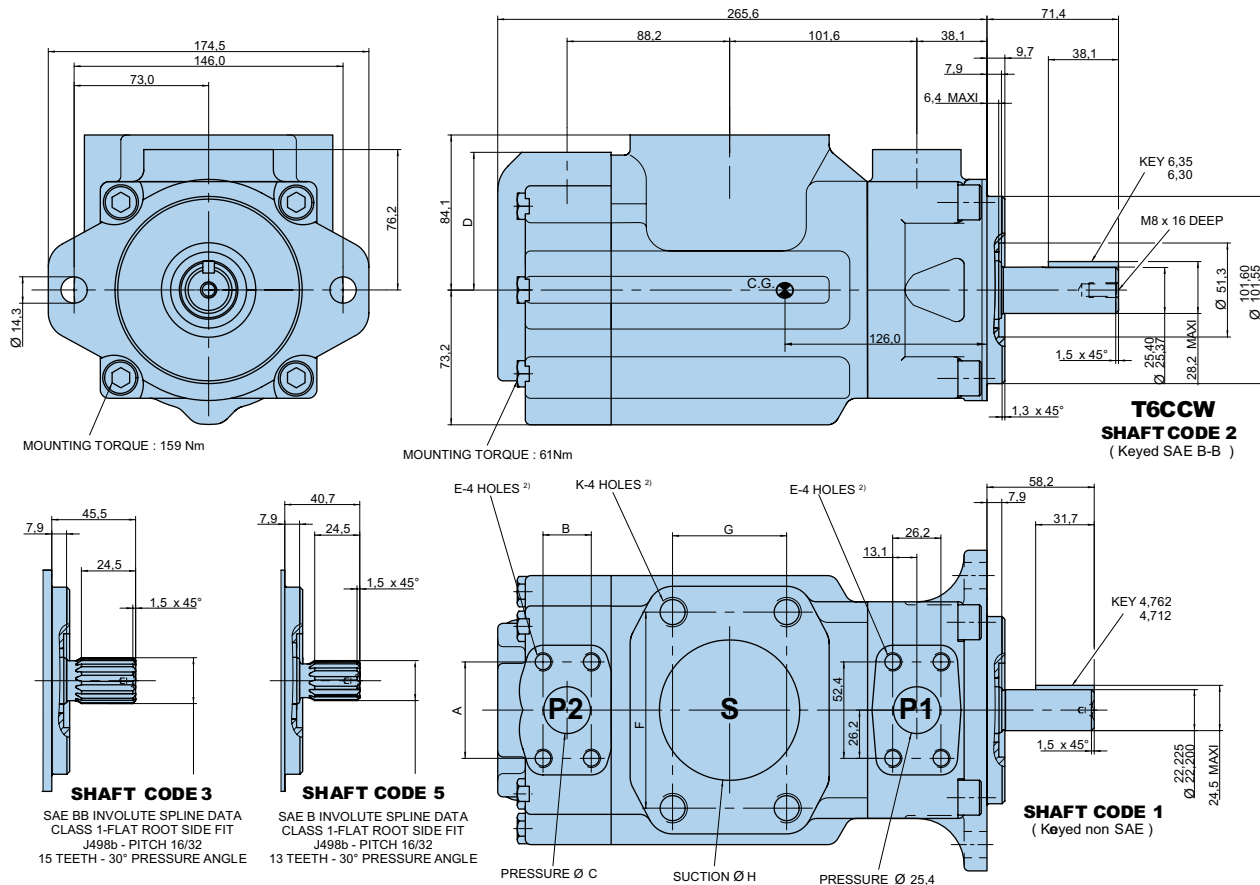
Double pump noise level is given with both stages discharging at the pressure value indicated on the curve.

**PERMISSIBLE RADIAL LOAD**



Maximum permissible axial load Fa = 800 N





Alternate ports								
Code	S = 3"				S = 2.1/2" <sup>2)</sup>			
		00	01 <sup>1)</sup>	0M	W0 <sup>1)</sup>	10	11 <sup>1)</sup>	1M
A	52,4	47,7	52,4	47,7	52,4	47,7	52,4	47,7
B	26,2	22,4	26,2	22,4	26,2	22,4	26,2	22,4
Ø C	25,4	19,0	25,4	19,0	25,4	19,0	25,4	19,0
D	74,7	76,2	74,7	76,2	74,7	76,2	74,7	76,2
E	3/8"-16 UNC x 19 deep		M10 x 19 deep		3/8"-16 UNC x 19 deep		M10 x 19 deep	
F	106,4				88,9			
G	61,9				50,9			
Ø H	76,2				63,5			
K	5/8"-11UNC x 28,4 deep		M16 x 28,4 deep		1/2"-13 UNC x 23,9 deep		M12 x 23,9 deep	

Shaft torque limits [ml/rev. x bar]	
Shaft	Vi x p max.
1	14300
2	21420
3	32670
5	20600

<sup>1)</sup> Max. cam 014    <sup>2)</sup> P1 + P2 = 126 ml/rev. max.

**OPERATING CHARACTERISTICS - TYPICAL [24 cSt]**

Pressure port	Series	Vi Volumetric displacement	Flow q <sub>v</sub> [l/min] & n = 1500 RPM			Input power P [kW] & n = 1500 RPM		
			p = 0 bar	p = 140 bar	p = 240 bar	p = 7 bar	p = 140 bar	p = 240 bar
P1 & P2	003	10,8 ml/rev	16,2	11,2	7,7	1,3	5,3	8,4
	005	17,2 ml/rev	25,8	20,8	17,3	1,4	7,5	12,2
	006	21,3 ml/rev	31,9	26,9	23,4	1,5	8,9	14,7
	008	26,4 ml/rev	39,6	34,6	31,1	1,6	10,7	17,7
	010	34,1 ml/rev	51,1	46,1	42,6	1,7	13,4	22,3
	012	37,1 ml/rev	55,6	50,6	47,1	1,7	14,4	24,1
	014	46,0 ml/rev	69,0	64,0	60,5	1,9	17,6	29,5
	017	58,3 ml/rev	87,4	82,4	78,9	2,1	21,9	36,9
	020	63,8 ml/rev	95,7	90,7	87,2	2,2	23,8	40,2
	022	70,3 ml/rev	105,4	100,4	96,9	2,3	26,1	44,1
025	79,3 ml/rev	118,9	113,9	110,4	2,5	29,2	49,5	
028	88,8 ml/rev	133,2	128,2	125,8 <sup>1)</sup>	2,8	32,7	48,5 <sup>1)</sup>	
031	100,0 ml/rev	150,0	145,0	142,6 <sup>1)</sup>	2,8	36,5	54,4 <sup>1)</sup>	

<sup>1)</sup> 028 - 031 = 210 bar max. int.    <sup>2)</sup> Port connection can be supplied with metric threads, please contact Parker.

**Model No.** **T67CB W - 010 - B10 - 1 R 00 - A 1 M1 - ..**

**Series - SAE B 2 bolts**  
 J744 mounting flange  
**Severe duty shaft**

**Displacement P1**  
 Volumetric displacement (ml/rev.)  
 003 = 10,8    017 = 58,3  
 005 = 17,2    020 = 63,8  
 006 = 21,3    022 = 70,3  
 008 = 26,4    025 = 79,3  
 010 = 34,1    028 = 88,8  
 012 = 37,1    031 = 100,0  
 014 = 46,0

**Displacement P2**  
 Volumetric displacement (ml/rev.)  
 B02 = 5,8    B09 = 28,0  
 B03 = 9,8    B10 = 31,8  
 B04 = 12,8    B11 = 35,0  
 B05 = 15,9    B12 = 41,0  
 B06 = 19,8    B14 = 45,0  
 B07 = 22,5    B15 = 50,0  
 B08 = 24,9

**Type of shaft**    **Severe duty shaft (T67CW only)**  
 1 = keyed (non SAE)    2 = keyed (SAE BB)  
 3 = splined (SAE BB) 15 teeth  
 5 = splined (SAE B) 13 teeth

**Modifications**

**Mounting w/connection variables**  
 11 = 4 bolts SAE flange (J518) UNC thread  
 M1 = 4 bolts SAE flange (J518) Metric thread

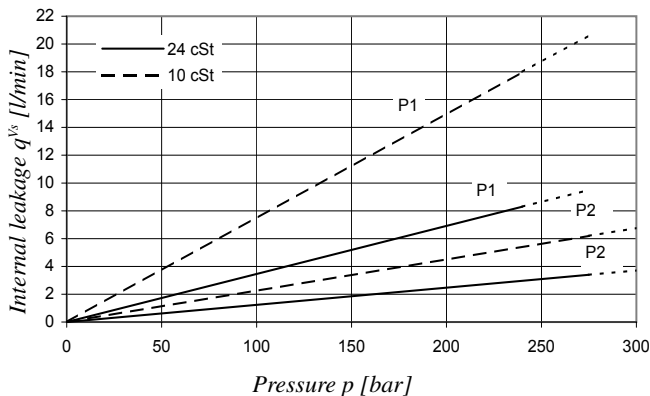
**Seal class**  
 1 = S1 BUNA N - 0,7 bar max. (for mineral oil)  
 4 = S4 EPDM - 7 bar max. (for fire resistant fluids)  
 5 = S5 VITON® - 7 bar max. (for mineral oil and fire resistant fluids)

**Design letter**

**Porting combination(see page 72)**  
 00 = standard

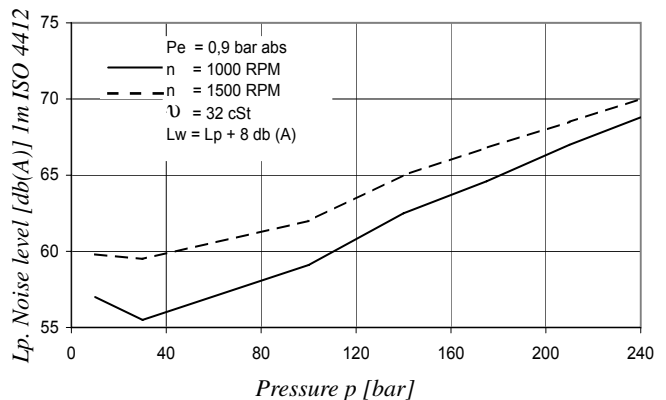
**Direction of rotation (shaft end view)**  
 R = Clockwise  
 L = Counter-clockwise

**INTERNAL LEAKAGE (TYPICAL)**



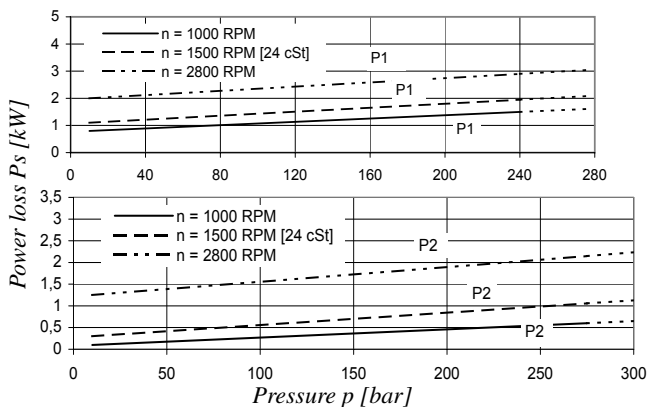
Do not operate pump more than 5 seconds at any speed or viscosity if internal leakage is higher than 50% of theoretical flow.  
 Total leakage is the sum of each section loss under its respective operating conditions.

**NOISE LEVEL (TYPICAL) - T67CB - 014 - B03**



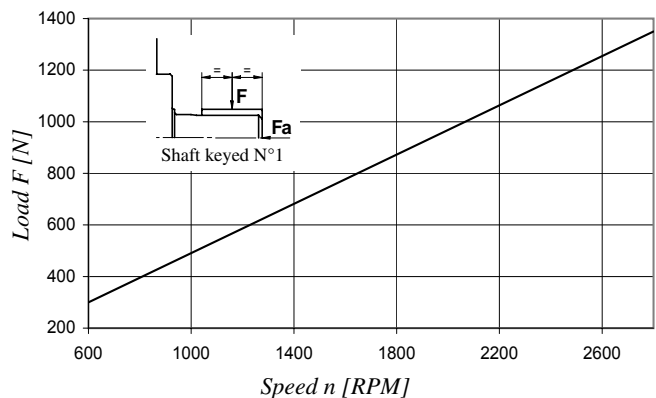
Double pump noise level is given with both stages discharging at the pressure value indicated on the curve.

**POWER LOSS HYDROMECHANICAL (TYPICAL)**

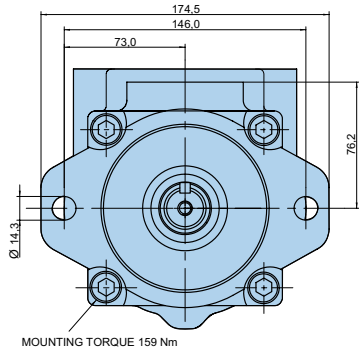


Total hydromechanical power loss is the sum of each section loss under its respective operating conditions.

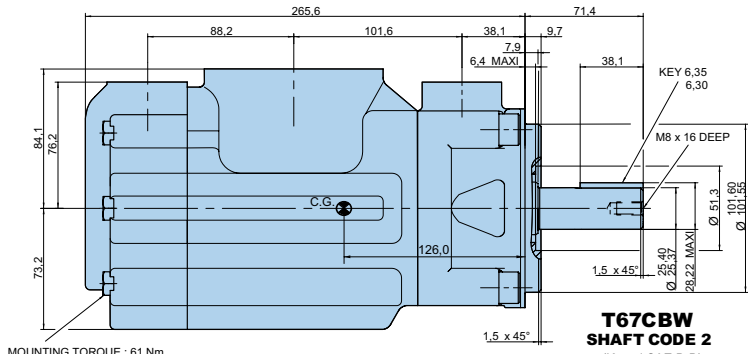
**PERMISSIBLE RADIAL LOAD**



Maximum permissible axial load Fa = 800 N

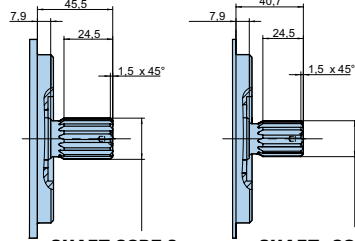


MOUNTING TORQUE 159 Nm



MOUNTING TORQUE : 61 Nm

**T67CBW**  
**SHAFT CODE 2**  
(Keyed SAE B-B)

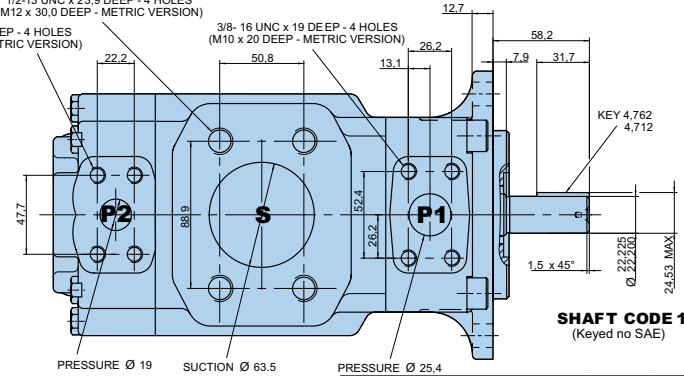


**SHAFT CODE 3**

SAE B8 INVOLUTE SPLINE DATA  
CLASS 1-FLAT ROOT SIDE FIT  
J4988b - PITCH 16/32  
15 TEETH - 30° PRESSURE ANGLE

**SHAFT CODE 5**

SAE B INVOLUTE SPLINE DATA  
CLASS 1-FLAT ROOT SIDE FIT  
J4988b - PITCH 16/32  
13 TEETH - 30° PRESSURE ANGLE



1/2-13 UNC x 23.9 DEEP - 4 HOLES  
(M12 x 30.0 DEEP - METRIC VERSION)

3/8-16 UNC x 19 DEEP - 4 HOLES  
(M10 x 19 DEEP - METRIC VERSION)

3/8-16 UNC x 19 DEEP - 4 HOLES  
(M10 x 20 DEEP - METRIC VERSION)

**SHAFT CODE 1**  
(Keyed no SAE)

Shaft torque limits [ml/rev. x bar]			
Shaft	Vi x p max.	Shaft	Vi x p max.
1	14300	3	32670
2	21420	5	20600

**OPERATING CHARACTERISTICS - TYPICAL [24 cSt]**

Pressure port	Series	Vi Volumetric displacement	Flow q <sub>v</sub> [l/min] & n = 1500 RPM			Input power P [kW] & n = 1500 RPM		
			p = 0 bar	p = 140 bar	p = 275 bar	p = 7 bar	p = 140 bar	p = 275 bar
P1	003	10,8 ml/rev	16,2	11,2	*	1,3	5,3	*
	005	17,2 ml/rev	25,8	20,8	16,1	1,4	7,5	13,9
	006	21,3 ml/rev	31,9	26,9	22,2	1,5	8,9	16,8
	008	26,4 ml/rev	39,6	34,6	29,9	1,6	10,7	20,3
	010	34,1 ml/rev	51,1	46,1	41,4	1,7	13,4	25,6
	012	37,1 ml/rev	55,6	50,6	45,9	1,7	14,4	27,6
	014	46,0 ml/rev	69,0	64,0	59,3	1,9	17,6	33,7
	017	58,3 ml/rev	87,4	82,4	77,7	2,1	21,9	42,2
	020	63,8 ml/rev	95,7	90,7	86,0	2,2	23,8	46,0
	022	70,3 ml/rev	105,4	100,4	95,7	2,3	26,1	50,4
	025	79,3 ml/rev	118,9	113,9	109,2	2,5	29,2	56,6
028	88,8 ml/rev	133,2	128,2	125,8 <sup>1)</sup>	2,8	32,7	48,5 <sup>1)</sup>	
031	100,0 ml/rev	150,0	145,0	142,6 <sup>1)</sup>	2,8	36,5	54,4 <sup>1)</sup>	
			p = 0 bar	p = 140 bar	p = 300 bar	p = 7 bar	p = 140 bar	p = 300 bar
P2	B02	5,8 ml/rev	8,7	7,0	5,1	0,5	2,6	5,1
	B03	9,8 ml/rev	14,7	13,0	11,1	0,6	4,0	8,1
	B04	12,8 ml/rev	19,2	17,5	15,6	0,6	5,0	10,4
	B05	15,9 ml/rev	23,9	22,2	20,2	0,7	6,1	12,7
	B06	19,8 ml/rev	29,7	28,0	26,1	0,7	7,5	15,6
	B07	22,5 ml/rev	33,7	32,0	30,2	0,8	8,5	17,6
	B08	24,9 ml/rev	37,4	35,7	33,7	0,8	9,3	19,5
	B09	28,0 ml/rev	42,0	40,3	38,4	0,9	10,4	21,8
	B10	31,8 ml/rev	47,7	46,0	44,1	0,9	11,7	26,2
	B11	35,0 ml/rev	52,5	50,8	48,9	1,0	12,8	27,0
	B12	41,0 ml/rev	61,5	59,8	57,9	1,1	14,9	31,5
	B14	45,0 ml/rev	67,5	65,8	63,9	1,2	16,3	34,5
	B15	50,0 ml/rev	75,0	73,3	71,6 <sup>2)</sup>	1,3	18,1	35,7 <sup>2)</sup>

\* We do not recommend to use the size 003 in P1 at 275 bar & 1500 RPM as the internal is over 50% of theoretical flow.

<sup>1)</sup> 028 - 031 = 210 bar max. int.    <sup>2)</sup> B15 = 280 bar max.int.

**Model No.** T7DB or T7DBS - B42 - B10 - 1 R 00 - A 1 M1 - ..

**T7DB series** - 125 A2 HW

ISO 2 bolts 3019-2 mounting flange

**T7DBS series** - SAE C 2 bolts

J744 mounting flange

**Displacement P1**

Volumetric displacement (ml/rev.)

B14 = 44,0 B31 = 99,2

B17 = 55,0 B35 = 113,4

B20 = 66,0 B38 = 120,6

B22 = 70,3 B42 = 137,5

B24 = 81,1 045 = 145,7

B28 = 90,0 050 = 158,0

**Displacement P2**

Volumetric displacement (ml/rev.)

B02 = 5,8 B09 = 28,0

B03 = 9,8 B10 = 31,8

B04 = 12,8 B11 = 35,0

B05 = 15,9 B12 = 41,0

B06 = 19,8 B14 = 45,0

B07 = 22,5 B15 = 50,0

B08 = 24,9

**Type of shaft T7DBS**

1 = keyed (SAE C) 3 = splined (SAE C) 14 teeth

2 = keyed (non SAE) 4 = splined (spec. SAE C)

**Type of shaft T7DB - T7DBS**

5 = keyed (ISO 3019 -2 - G32 M)

**Modifications**

**Mounting w/connection variables**

4 bolts SAE flanges J518

	Metric thread T7DB - T7DBS		UNC thread T7DBS	
	M0	M1	00	01
P1	1.1/4"	1.1/4"	1.1/4"	1.1/4"
P2	1"	3/4"	1"	3/4"
S	3"	3"	3"	3"

**Seal class**

1 = S1 BUNA N - 0,7 bar max. (for mineral oil)

4 = S4 EPDM - 7 bar max. (for fire resistant fluids)

5 = S5 VITON® - 7 bar max. (for mineral oil and fire resistant fluids)

**Design letter**

**Porting combination (see page 72)**

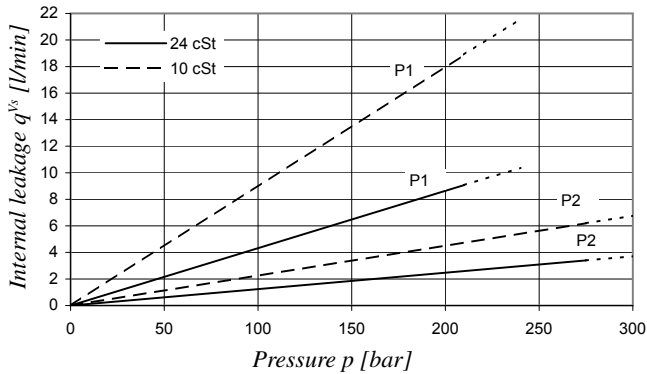
00 = standard

**Direction of rotation (shaft end view)**

R = Clockwise

L = Counter-clockwise

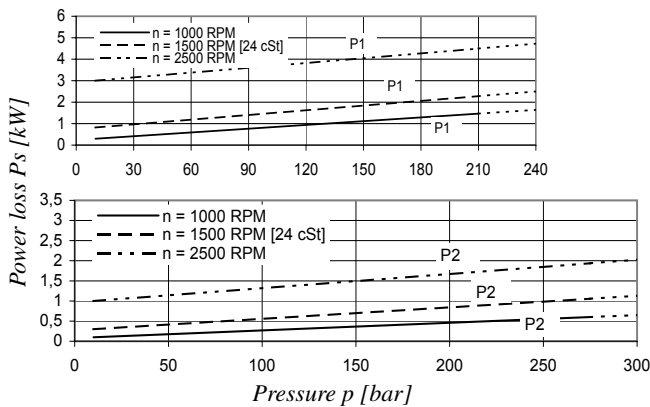
**INTERNAL LEAKAGE (TYPICAL)**



Do not operate pump more than 5 seconds at any speed or viscosity if internal leakage is higher than 50% of theoretical flow.

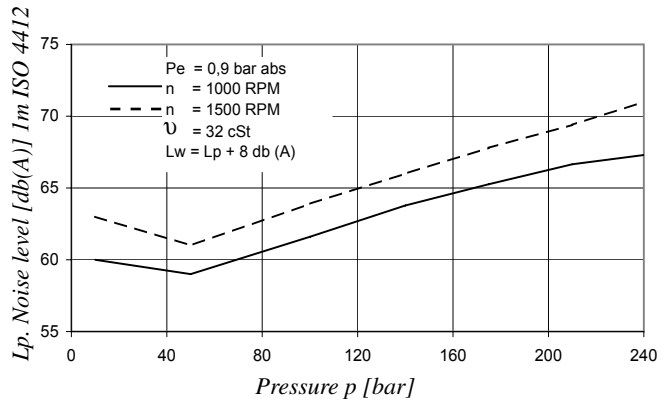
Total leakage is the sum of each section loss under its respective operating conditions.

**POWER LOSS HYDROMECHANICAL (TYPICAL)**



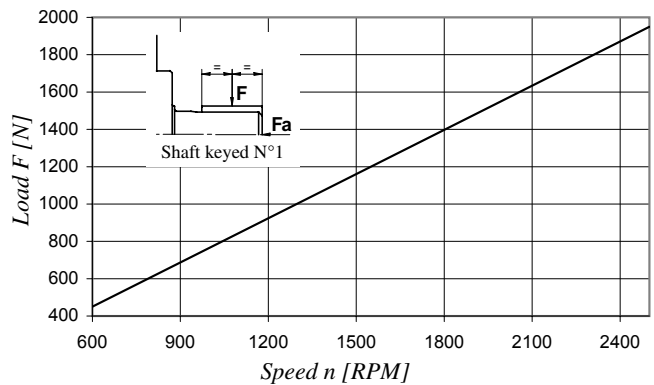
Total hydromechanical power loss is the sum of each section loss under its respective operating conditions.

**NOISE LEVEL (TYPICAL) - T7DBS - B31 - B10**

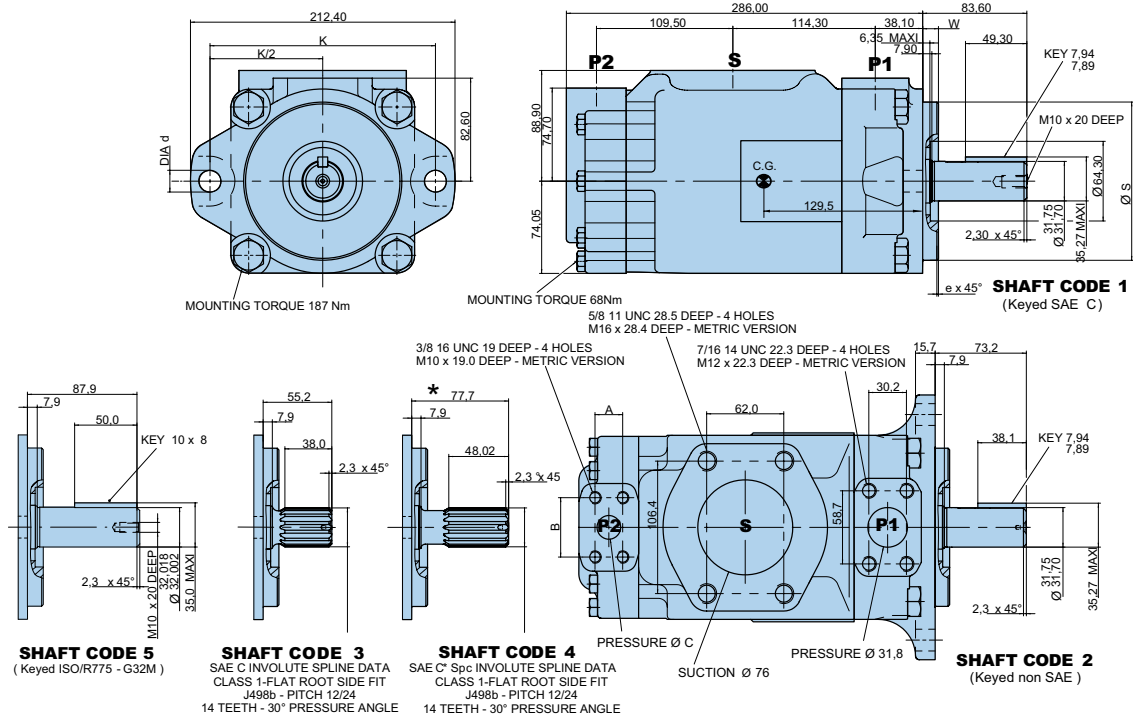


Double pump noise level is given with both stages discharging at the pressure value indicated on the curve.

**PERMISSIBLE RADIAL LOAD**



Maximum permissible axial load  $F_a = 1200$  N



Alternate mounting flange						
	Dia S		e x 45°	W	K	Dia d
	Max.	Min.				
<b>T7DB</b>	125,000	124,937	2,0	9,5	180,0	18,0
<b>T7DBS</b>	127,000	126,950	1,3	12,7	181,0	17,5

Alternate connect. variables		
	00 & M0	01 & M1
<b>A</b>	26,20	22,20
<b>B</b>	52,35	47,6
<b>C</b>	25,00	19,0

Shaft torque limits [ml/rev. x bar]			
Shaft	Vi x p max.	Shaft	Vi x p max.
1	43240	4	61200
2	34590	5	42500
3	61200		

**OPERATING CHARACTERISTICS - TYPICAL [24 cSt]**

Pressure port	Series	Vi Volumetric displacement	Flow q <sub>v</sub> [l/min] & n = 1500 RPM			Input power P [kW] & n = 1500 RPM		
			p = 0 bar	p = 140 bar	p = 250 bar	p = 7 bar	p = 140 bar	p = 250 bar
<b>P1</b>	B14	44,0 ml/rev	66,0	59,4	54,2	1,5	16,6	29,0
	B17	55,0 ml/rev	82,5	75,9	70,7	1,7	20,4	35,8
	B20	66,0 ml/rev	99,0	92,4	87,2	1,9	24,3	42,7
	B22	70,3 ml/rev	105,5	98,8	93,7	2,0	25,8	45,4
	B24	81,1 ml/rev	121,7	115,0	109,9	2,2	29,5	52,1
	B28	90,0 ml/rev	135,0	128,4	123,2	2,3	32,7	57,7
	B31	99,2 ml/rev	148,8	142,2	137,0	2,5	35,9	63,5
	B35	113,4 ml/rev	170,1	163,5	158,3	2,7	40,8	72,3
	B38	120,6 ml/rev	180,9	174,3	169,1	2,9	43,4	76,8
	B42	137,5 ml/rev	206,3	199,6	194,5	3,2	49,3	87,4
	045	145,7 ml/rev	218,6	209,2	202,6 <sup>1)</sup>	4,1	52,8	89,5 <sup>1)</sup>
	050	158,0 ml/rev	237,0	227,7	223,0 <sup>2)</sup>	4,4	57,1	85,0 <sup>2)</sup>
<b>P2</b>			p = 0 bar	p = 140 bar	p = 300 bar	p = 7 bar	p = 140 bar	p = 300 bar
	B02	5,8 ml/rev	8,7	7,0	5,1	0,5	2,6	5,1
	B03	9,8 ml/rev	14,7	13,0	11,1	0,6	4,0	8,1
	B04	12,8 ml/rev	19,2	17,5	15,6	0,6	5,0	10,4
	B05	15,9 ml/rev	23,9	22,2	20,2	0,7	6,1	12,7
	B06	19,8 ml/rev	29,7	28,0	26,1	0,7	7,5	15,6
	B07	22,5 ml/rev	33,7	32,0	30,2	0,8	8,5	17,6
	B08	24,9 ml/rev	37,4	35,7	33,7	0,8	9,3	19,5
	B09	28,0 ml/rev	42,0	40,3	38,4	0,9	10,4	21,8
	B10	31,8 ml/rev	47,7	46,0	44,1	0,9	11,7	26,2
	B11	35,0 ml/rev	52,5	50,8	48,9	1,0	12,8	27,0
	B12	41,0 ml/rev	61,5	59,8	57,9	1,1	14,9	31,5
	B14	45,0 ml/rev	67,5	65,8	63,9	1,2	16,3	34,5
B15	50,0 ml/rev	75,0	73,3	71,6 <sup>3)</sup>	1,3	18,1	35,7 <sup>3)</sup>	

<sup>1)</sup> 045 = 240 bar max. int.    <sup>2)</sup> 050 = 210 bar max. int.    <sup>3)</sup> B15 = 280 bar max. int.

**Model No. T67DC W - B42 - 010 - 1 R 00 - A 1 M1 - ..**

Series - SAE C 2 bolts  
 J744 mounting flange

Severe duty shaft option

**Displacement P1**  
 Volumetric displacement (ml/rev.)  
 B14 = 44,0 B31 = 99,2  
 B17 = 55,0 B35 = 113,4  
 B20 = 66,0 B38 = 120,6  
 B22 = 70,3 B42 = 137,5  
 B24 = 81,1 045 = 145,7  
 B28 = 90,0 050 = 158,0

**Displacement P2**  
 Volumetric displacement (ml/rev.)  
 003 = 10,8 017 = 58,3  
 005 = 17,2 020 = 63,8  
 006 = 21,3 022 = 70,3  
 008 = 26,4 025 = 79,3  
 010 = 34,1 028 = 88,8  
 012 = 37,1 031 = 100,0  
 014 = 46,0

**Type of shaft**  
 1 = keyed (SAE C) 3 = splined (SAE C) 14 teeth  
 2 = keyed (non SAE) 4 = splined (spec. SAE C)

**Type of shaft - Severe duty (T67DCW only)**  
 5 = keyed (non SAE)

**Modifications**  
**Mounting w/connection variables**  
 4 bolts SAE flanges J518

	Metric thread		UNC thread	
	M0	M1	00	01
P1	1.1/4"	1.1/4"	1.1/4"	1.1/4"
P2	1"	3/4"	1"	3/4"
S	3"	3"	3"	3"

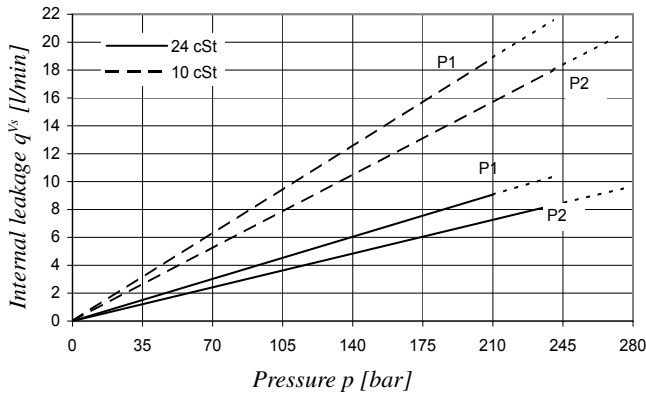
**Seal class**  
 1 = S1 BUNA N - 0,7 bar max. (for mineral oil)  
 4 = S4 EPDM - 7 bar max. (for fire resistant fluids)  
 5 = S5 VITON® - 7 bar max. (for mineral oil and fire resistant fluids)

**Design letter**

**Porting combination (see page 72)**  
 00 = standard

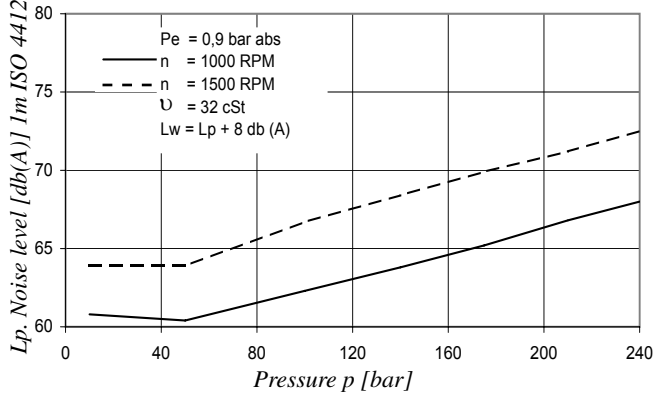
**Direction of rotation (shaft end view)**  
 R = Clockwise  
 L = Counter-clockwise

**INTERNAL LEAKAGE (TYPICAL)**



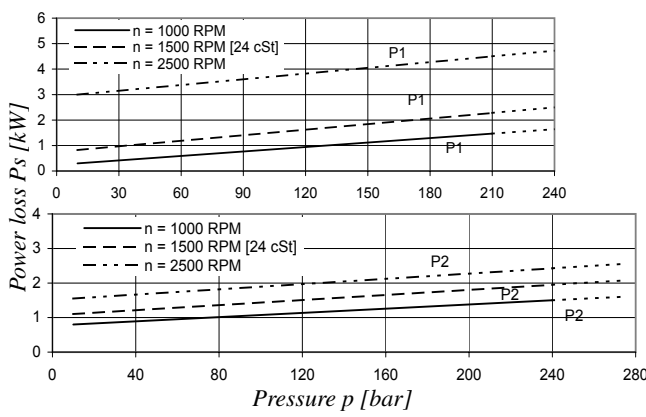
Do not operate pump more than 5 seconds at any speed or viscosity if internal leakage is higher than 50% of theoretical flow. Total leakage is the sum of each section loss under its respective operating conditions.

**NOISE LEVEL (TYPICAL) - T67DC - B31 - 022**



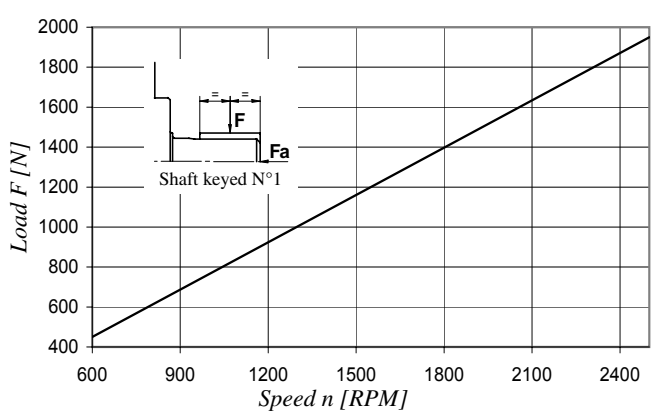
Double pump noise level is given with both stages section discharging at the pressure value indicated on the curve.

**POWER LOSS HYDROMECHANICAL (TYPICAL)**



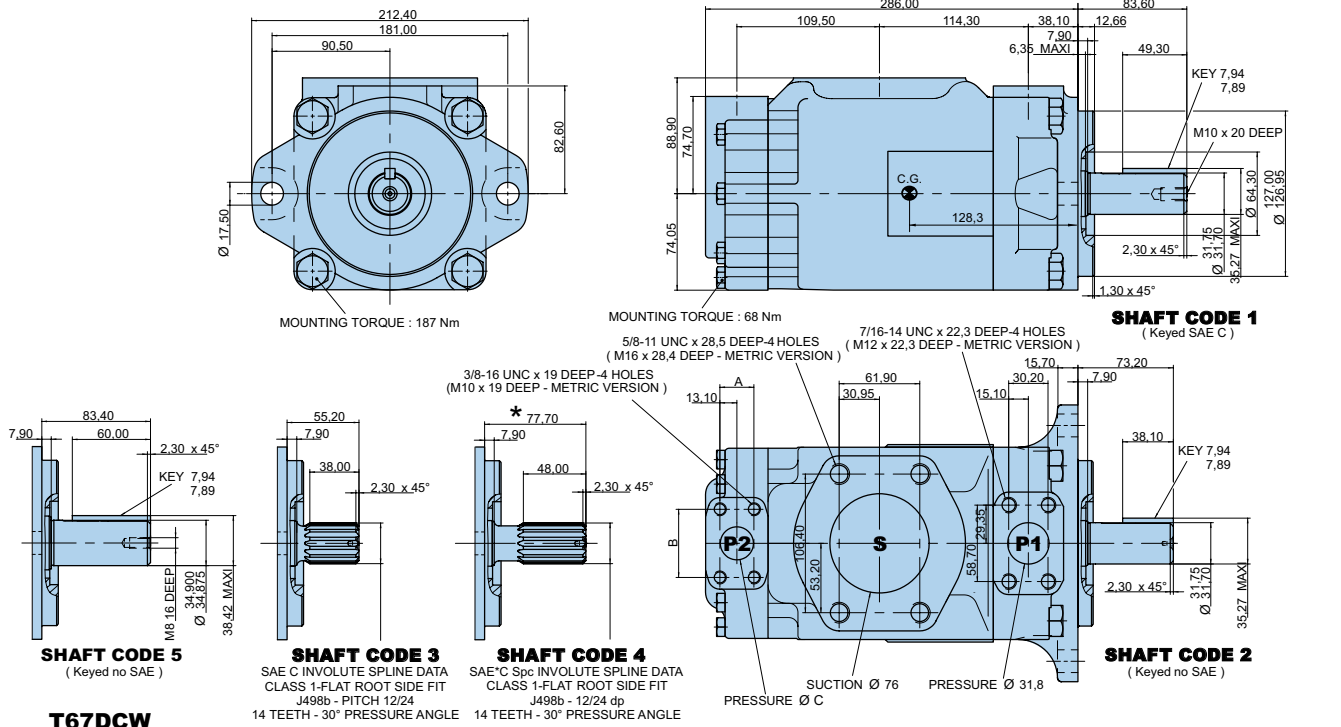
Total hydromechanical power loss is the sum of each section loss under its respective operating conditions.

**PERMISSIBLE RADIAL LOAD**



Maximum permissible axial load  $F_a = 1200$  N





Alternate connect. variables		
	00 & M0	01 & M1
A	26,20	22,20
B	52,35	47,60
C	25,00	19,00

Shaft torque limits [ml/rev. x bar]			
Shaft	Vi x p max.	Shaft	Vi x p max.
1	43240	4	61200
2	34590	5	55600
3	61200		

**OPERATING CHARACTERISTICS - TYPICAL [24 cSt]**

Pressure port	Series	Vi Volumetric displacement	Flow q <sub>v</sub> [l/min] & n = 1500 RPM			Input power P [kW] & n = 1500 RPM		
			p = 0 bar	p = 140 bar	p = 250 bar	p = 7 bar	p = 140 bar	p = 250 bar
P1	B14	44,0 ml/rev	66,0	59,4	54,2	1,5	16,6	29,0
	B17	55,0 ml/rev	82,5	75,9	70,7	1,7	20,4	35,8
	B20	66,0 ml/rev	99,0	92,4	87,2	1,9	24,3	42,7
	B22	70,3 ml/rev	105,5	98,8	93,7	2,0	25,8	45,4
	B24	81,1 ml/rev	121,7	115,0	109,9	2,2	29,5	52,1
	B28	90,0 ml/rev	135,0	128,4	123,2	2,3	32,7	57,7
	B31	99,2 ml/rev	148,8	142,2	137,0	2,5	35,9	63,5
	B35	113,4 ml/rev	170,1	163,5	158,3	2,7	40,8	72,3
	B38	120,6 ml/rev	180,9	174,3	169,1	2,9	43,4	76,8
	B42	137,5 ml/rev	206,3	199,6	194,5	3,2	49,3	87,4
	045	145,7 ml/rev	218,6	209,2	202,6 <sup>2)</sup>	4,1	52,8	89,5 <sup>2)</sup>
	050	158,0 ml/rev	237,0	227,7	223,0 <sup>1)</sup>	4,4	57,1	85,0 <sup>1)</sup>
			p = 0 bar	p = 140 bar	p = 275 bar	p = 7 bar	p = 140 bar	p = 275 bar
P2	003	10,8 ml/rev	16,2	11,2	*	1,3	5,3	*
	005	17,2 ml/rev	25,8	20,8	16,1	1,4	7,5	13,9
	006	21,3 ml/rev	31,9	26,9	22,2	1,5	8,9	16,8
	008	26,4 ml/rev	39,6	34,6	29,9	1,6	10,7	20,3
	010	34,1 ml/rev	51,1	46,1	41,4	1,7	13,4	25,6
	012	37,1 ml/rev	55,6	50,6	45,9	1,7	14,4	27,6
	014	46,0 ml/rev	69,0	64,0	59,3	1,9	17,6	33,7
	017	58,3 ml/rev	87,4	82,4	77,7	2,1	21,9	42,2
	020	63,8 ml/rev	95,7	90,7	86,0	2,2	23,8	46,0
	022	70,3 ml/rev	105,4	100,4	95,7	2,3	26,1	50,4
	025	79,3 ml/rev	118,9	113,9	109,2	2,5	29,2	56,6
	028	88,8 ml/rev	133,2	128,2	125,8 <sup>1)</sup>	2,8	32,7	48,5 <sup>1)</sup>
	031	100,0 ml/rev	150,0	145,0	142,6 <sup>1)</sup>	2,8	36,5	54,4 <sup>1)</sup>

\* We do not recommend to use the size 003 in P2 at 275 bar & 1500 RPM as the internal leakage is over 50% of theoretical flow.

<sup>1)</sup> 050 - 028 - 031 = 210 bar max. int.    <sup>2)</sup> 045 = 240 bar max. int.

**Model No. T7DD or T7DDS - B42 - B22 - 1 R 00 - A 1 M0 - ..**

**T7DD series** - ISO 6 bolts 3019-2

Mounting flange 125-A2-HW or 125-B4 HW

**T7DDS series** - SAE C 6 bolts

J744 mounting flange

**Displacement P1 & P2**

Volumetric displacement (ml/rev.)

B14 = 44,0 B31 = 99,2

B17 = 55,0 B35 = 113,4

B20 = 66,0 B38 = 120,6

B22 = 70,3 B42 = 137,5

B24 = 81,1 045 = 145,7

B28 = 90,0 050 = 158,0

**Type of shaft T7DDS**

1 = keyed (SAE C)

3 = splined (SAE C) 14 teeth

2 = keyed (SAE CC)

4 = splined (SAE BB)

**Type of shaft - T7DD and T7DDS**

5 = keyed (ISO 3019-2 - G32M)

**Modifications**

**Mounting w/connection variables**

4 bolts SAE flanges J518

P1 & P2 = 1.1/4" - S = 4"		
Type	Metric thread	UNC thread
T7DD	M0	
T7DDS	M0	00

**Seal class**

1 = S1 BUNA N - 0,7 bar max. (for mineral oil)

4 = S4 EPDM - 7 bar max. (for fire resistant fluids)

5 = S5 VITON® - 7 bar max. (for mineral oil and fire resistant fluids)

**Design letter**

**Porting combination (see page 72)**

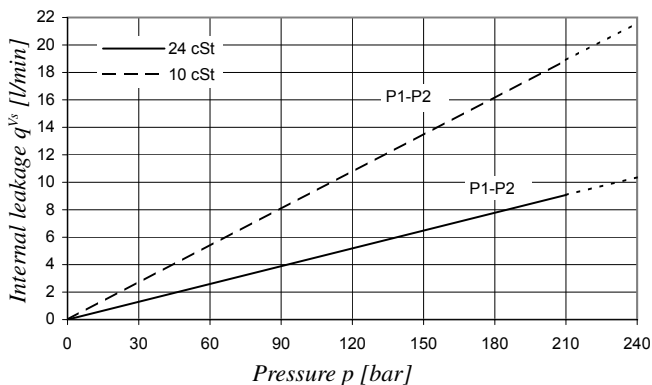
00 = standard

**Direction of rotation (shaft end view)**

R = Clockwise

L = Counter-clockwise

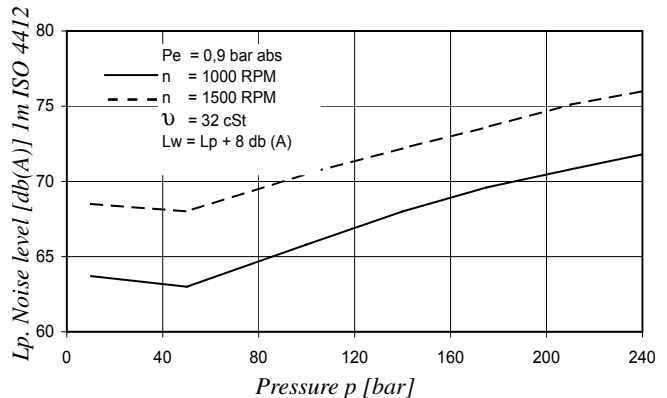
**INTERNAL LEAKAGE (TYPICAL)**



Do not operate pump more than 5 seconds at any speed or viscosity if internal leakage is higher than 50% of theoretical flow.

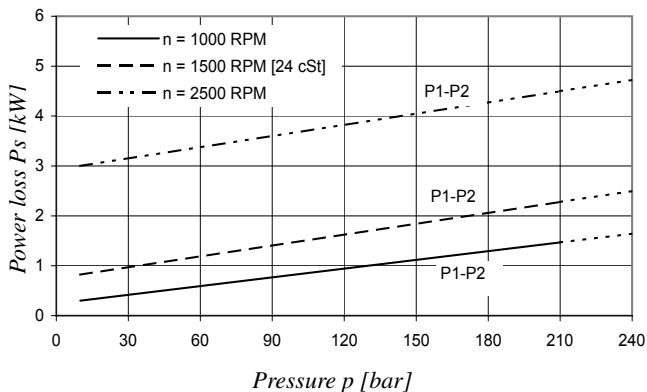
Total leakage is the sum of each section loss under its respective operating conditions.

**NOISE LEVEL (TYPICAL) - T7DDS - B31 - B31**



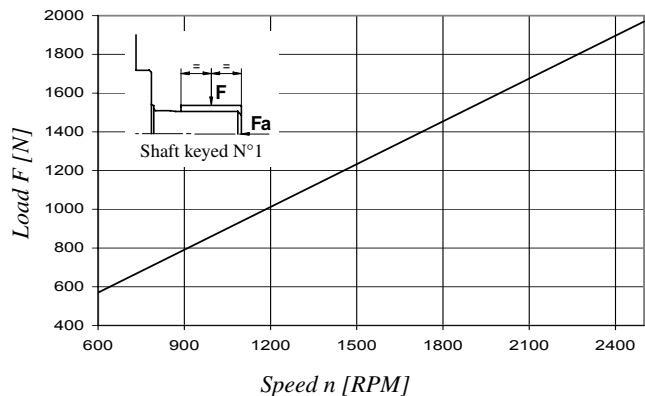
Double pump noise level is given with both stages discharging at the pressure value indicated on the curve.

**POWER LOSS HYDROMECHANICAL (TYPICAL)**



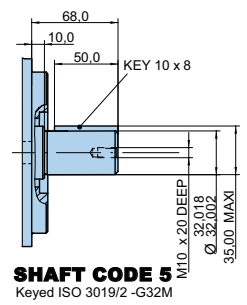
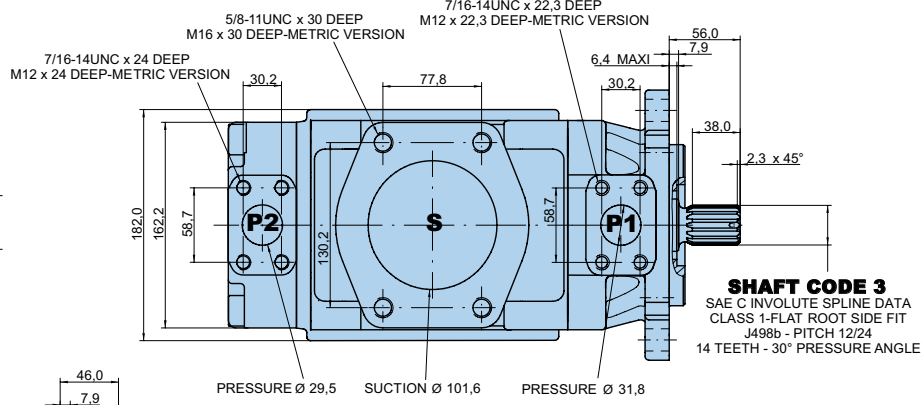
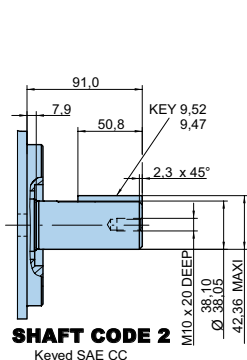
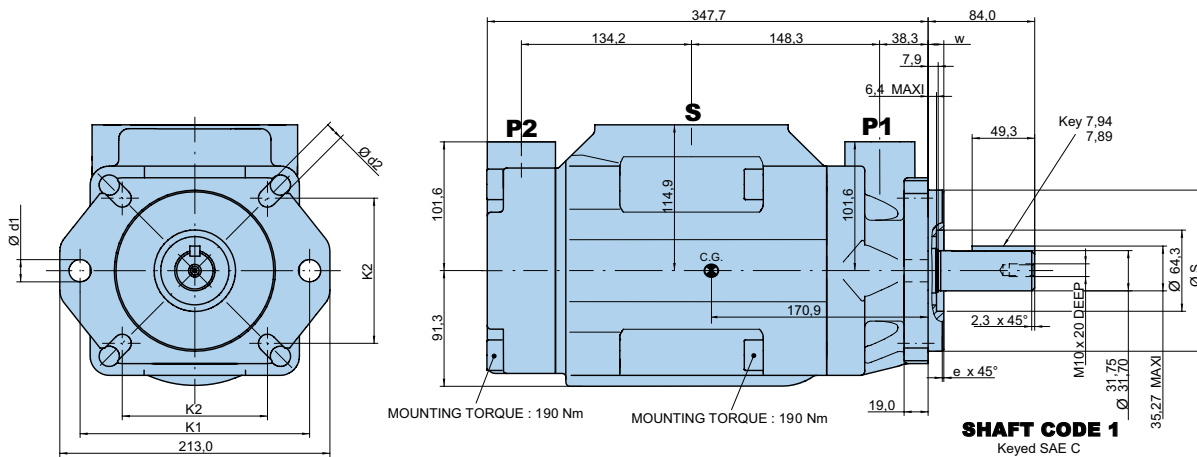
Total hydromechanical power loss is the sum of each section loss under its respective operating conditions.

**PERMISSIBLE RADIAL LOAD**



Maximum permissible axial load Fa = 1200 N





Alternate mounting flange								
Series	Dia S		e x 45°	W	K1	Dia d1	K2	Dia d2
	Max.	Min.						
T7DD	125,000	124,937	2,0	9,5	180,0	18,0	113,14	14,0
T7DDS	127,000	126,950	1,3	12,7	181,0	17,5	114,50	14,3

Shaft torque limits [ml/rev. x bar]			
Shaft	Vi x p max.	Shaft	Vi x p max.
1	43240	4	35880
2	71750	5	45200
3	61200		

**OPERATING CHARACTERISTICS - TYPICAL [24 cSt]**

Pressure port	Series	Vi Volumetric displacement	Flow q <sub>v</sub> [l/min] & n = 1500 RPM			Input power P [kW] & n = 1500 RPM		
			p = 0 bar	p = 140 bar	p = 250 bar	p = 7 bar	p = 140 bar	p = 250 bar
P1 & P2	B14	44,0 ml/rev	66,0	59,4	54,2	1,5	16,6	29,0
	B17	55,0 ml/rev	82,5	75,9	70,7	1,7	20,4	35,8
	B20	66,0 ml/rev	99,0	92,4	87,2	1,9	24,3	42,7
	B22	70,3 ml/rev	105,5	98,8	93,7	2,0	25,8	45,4
	B24	81,1 ml/rev	121,7	115,0	109,9	2,2	29,5	52,1
	B28	90,0 ml/rev	135,0	128,4	123,2	2,3	32,7	57,7
	B31	99,2 ml/rev	148,8	142,2	137,0	2,5	35,9	63,5
	B35	113,4 ml/rev	170,1	163,5	158,3	2,7	40,8	72,3
	B38	120,6 ml/rev	180,9	174,3	169,1	2,9	43,4	76,8
	B42	137,5 ml/rev	206,3	199,6	194,5	3,2	49,3	87,4
	045	145,7 ml/rev	218,6	209,2	202,6 <sup>1)</sup>	4,1	52,8	89,5 <sup>1)</sup>
	050	158,0 ml/rev	237,0	227,7	223,0 <sup>2)</sup>	4,4	57,1	85,0 <sup>2)</sup>

<sup>1)</sup> 045 = 240 bar max. int.      <sup>2)</sup> 050 = 210 bar max. int.



**Model No. T7EB or T7EBS - 042 - B12 - 1 R 00 - A 1 M1 - ..**

**T7EB series** - ISO 2 bolts 3019-2  
 Mounting flange 125-A2 HW  
**T7EBS series** - SAE C 2 bolts  
 J744 mounting flange

**Displacement P1**  
 Volumetric displacement (ml/rev.)  
 042 = 132,3    057 = 183,3  
 045 = 142,4    062 = 196,7  
 050 = 158,5    066 = 213,3  
 052 = 164,8    072 = 227,1  
 054 = 171,0    085 = 268,7

**Displacement P2**  
 Volumetric displacement (ml/rev.)  
 B02 = 5,8    B09 = 28,0  
 B03 = 9,8    B10 = 31,8  
 B04 = 12,8    B11 = 35,0  
 B05 = 15,9    B12 = 41,0  
 B06 = 19,8    B14 = 45,0  
 B07 = 22,5    B15 = 50,0  
 B08 = 24,9

**Type of shaft T7EBS**  
 1 = keyed (SAE CC)                      3 = splined (SAE C) 14 teeth  
 2 = keyed (non SAE)                      4 = splined (SAE CC)

**Type of shaft T7EB - T7EBS**  
 5 = keyed (ISO /R 775 - G38 M)

**Modifications**

**Mounting w/connection variables**  
 4 bolts SAE flanges J518

<b>P1 = 1.1/2" - P2 = 3/4" - S = 3.1/2"</b>		
	<b>Metric thread</b> <b>T7EB - T7EBS</b>	<b>UNC thread</b> <b>T7EBS</b>
<b>Code</b>	M1	01

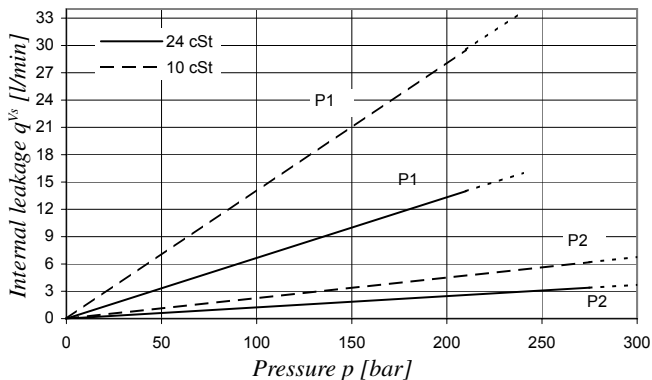
**Seal class**  
 1 = S1 BUNA N - 0,7 bar max. (for mineral oil)  
 4 = S4 EPDM - 7 bar max. (for fire resistant fluids)  
 5 = S5 VITON® - 7 bar max. (for mineral oil and fire resistant fluids)

**Design letter**

**Porting combination (see page 72)**  
 00 = standard

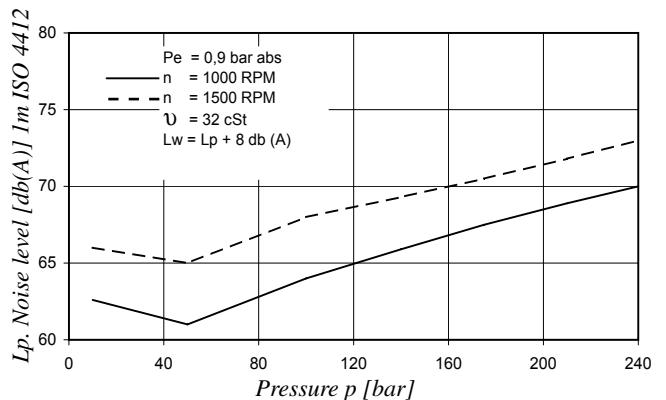
**Direction of rotation (shaft end view)**  
 R = Clockwise  
 L = Counter-clockwise

**INTERNAL LEAKAGE (TYPICAL)**



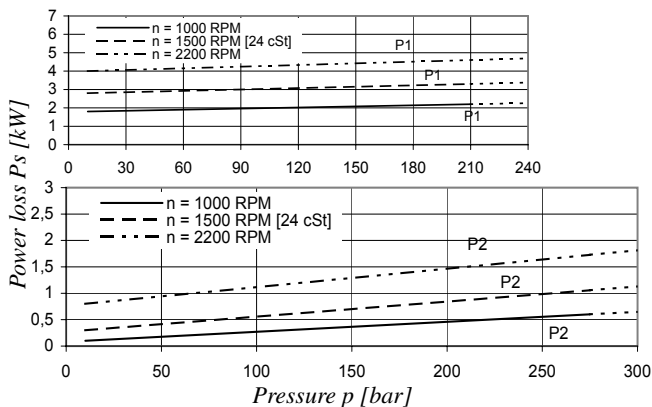
Do not operate pump more than 5 seconds at any speed or viscosity if internal leakage is higher than 50% of theoretical flow.  
 Total leakage is the sum of each section loss under its respective operating conditions.

**NOISE LEVEL (TYPICAL) - T7EBS - 050 - B03**



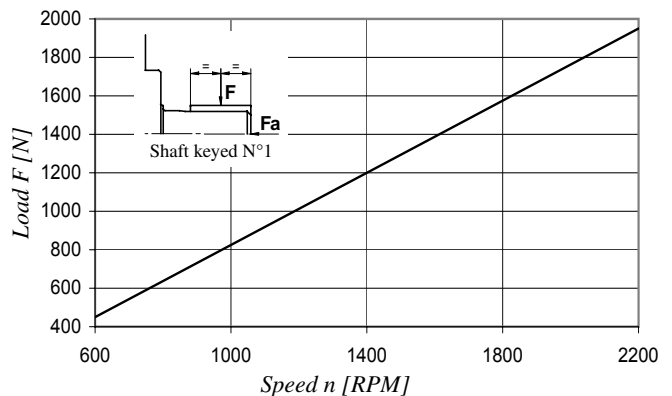
Double pump noise level is given with both stages discharging at the pressure value indicated on the curve.

**POWER LOSS HYDROMECHANICAL (TYPICAL)**

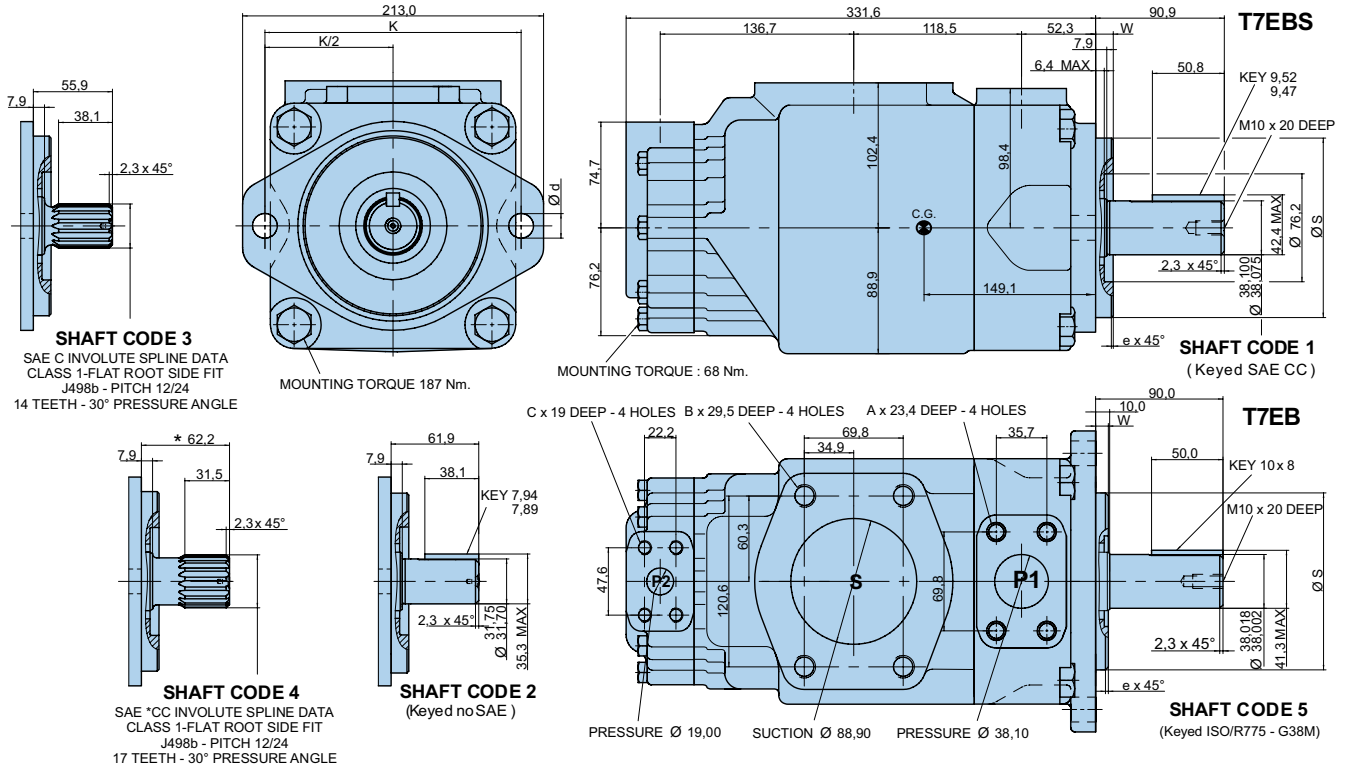


Total hydromechanical power loss is the sum of each section loss under its respective operating conditions.

**PERMISSIBLE RADIAL LOAD**



Maximum permissible axial load Fa = 2000 N



Alternate mounting flange						
	Dia S		e x 45°	W	K	Dia d
	Max.	Min.				
T7EB	125,000	124,937	2,0	9,5	180,0	18,0
T7EBS	127,000	126,950	1,3	12,7	181,0	17,5

Alternate connect. variables		
	01	M1
A	1/2" - 13 UNC	M12
B	5/8" - 11 UNC	M16
C	3/8" - 16 UNC	M10

Shaft torque limits [ml/rev. x bar]			
Shaft	Vi x p max.	Shaft	Vi x p max.
1	68500	4	68500
2	34590	5	68500
3	61200		

**OPERATING CHARACTERISTICS - TYPICAL [24 cSt]**

Pressure port	Series	Vi Volumetric displacement	Flow q <sub>v</sub> [l/min] & n = 1500 RPM			Input power P [kW] & n = 1500 RPM		
			p = 0 bar	p = 140 bar	p = 240 bar	p = 7 bar	p = 140 bar	p = 240 bar
P1	042	132,3 ml/rev	198,5	188,5	181,3	5,2	49,4	82,6
	045	142,4 ml/rev	213,6	203,6	196,5	5,4	52,9	88,7
	050	158,5 ml/rev	237,7	227,7	220,6	5,7	58,5	98,3
	052	164,8 ml/rev	247,2	237,2	230,1	5,8	60,8	102,1
	054	171,0 ml/rev	256,5	246,5	239,4	5,9	63,0	105,8
	057	183,3 ml/rev	275,0	265,0	257,9	6,1	67,3	113,2
	062	196,7 ml/rev	295,0	285,0	277,9	6,4	71,9	121,3
	066	213,3 ml/rev	319,9	309,0	302,8	6,7	77,7	131,2
	072	227,1 ml/rev	340,6	330,6	323,5	6,9	82,6	139,5
	085	268,7 ml/rev	403,0	392,0 <sup>1)</sup>	-	9,1	65,8 <sup>1)</sup>	-
P2			p = 0 bar	p = 140 bar	p = 300 bar	p = 7 bar	p = 140 bar	p = 300 bar
	B02	5,8 ml/rev	8,7	7,0	5,1	0,5	2,6	5,1
	B03	9,8 ml/rev	14,7	13,0	11,1	0,6	4,0	8,1
	B04	12,8 ml/rev	19,2	17,5	15,6	0,6	5,0	10,4
	B05	15,9 ml/rev	23,9	22,2	20,2	0,7	6,1	12,7
	B06	19,8 ml/rev	29,7	28,0	26,1	0,7	7,5	15,6
	B07	22,5 ml/rev	33,7	32,0	30,2	0,8	8,5	17,6
	B08	24,9 ml/rev	37,4	35,7	33,7	0,8	9,3	19,5
	B09	28,0 ml/rev	42,0	40,3	38,4	0,9	10,4	21,8
	B10	31,8 ml/rev	47,7	46,0	44,1	0,9	11,7	26,2
	B11	35,0 ml/rev	52,5	50,8	48,9	1,0	12,8	27,0
	B12	41,0 ml/rev	61,5	59,8	57,9	1,1	14,9	31,5
	B14	45,0 ml/rev	67,5	65,8	63,9	1,2	16,3	34,5
	B15	50,0 ml/rev	75,0	73,3	71,6 <sup>2)</sup>	1,3	18,1	35,7 <sup>2)</sup>

<sup>1)</sup> 085 = 90 bar max. int.

<sup>2)</sup> B15 = 280 bar max. int.

**Model No. T67EC - 085 - 020 - 1 R 00 - A 1 00 - ..**

Series - SAE C 2 bolts  
 J744 mounting flange

**Displacement P1**

Volumetric displacement (ml/rev.)

042 = 132,3    057 = 183,3  
 045 = 142,4    062 = 196,7  
 050 = 158,5    066 = 213,3  
 052 = 164,8    072 = 227,1  
 054 = 171,0    085 = 268,7

**Displacement P2**

Volumetric displacement (ml/rev.)

003 = 10,8    017 = 58,3  
 005 = 17,2    020 = 63,8  
 006 = 21,3    022 = 70,3  
 008 = 26,4    025 = 79,3  
 010 = 34,1    028 = 88,8  
 012 = 37,1    031 = 100,0  
 014 = 46,0

**Type of shaft**

1 = keyed (SAE CC)  
 2 = keyed (non SAE)  
 3 = splined (SAE C) 14 teeth  
 4 = splined (SAE CC) 17 teeth

**Modifications**

**Mounting w/connection variables**

4 bolts SAE flanges J518

Code	Metric thread		UNC thread	
	M0	M1	00	01
<b>P1</b>	1.1/2"	1.1/2"	1.1/2"	1.1/2"
<b>P2</b>	1"	3/4"	1"	3/4"
<b>S</b>	3.1/2"	3.1/2"	3.1/2"	3.1/2"

**Seal class**

1 = S1 BUNA N - 0,7 bar max. (for mineral oil)  
 4 = S4 EPDM - 7 bar max. (for fire resistant fluids)  
 5 = S5 VITON® - 7 bar max. (for mineral oil and fire resistant fluids)

**Design letter**

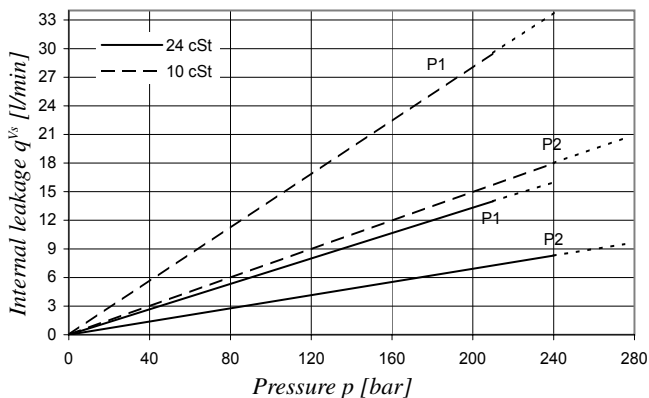
**Porting combination (see page 72)**

00 = standard

**Direction of rotation (shaft end view)**

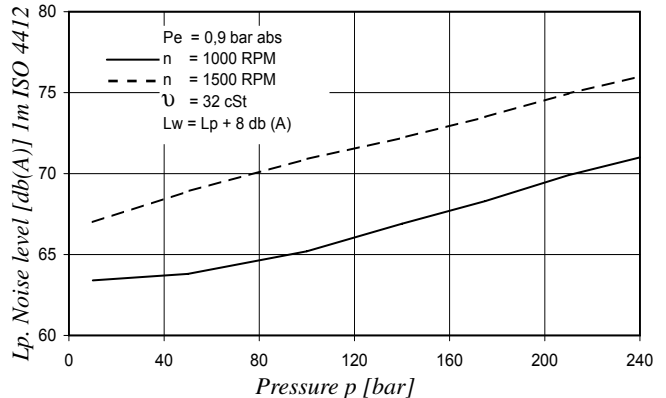
R = Clockwise  
 L = Counter-clockwise

**INTERNAL LEAKAGE (TYPICAL)**



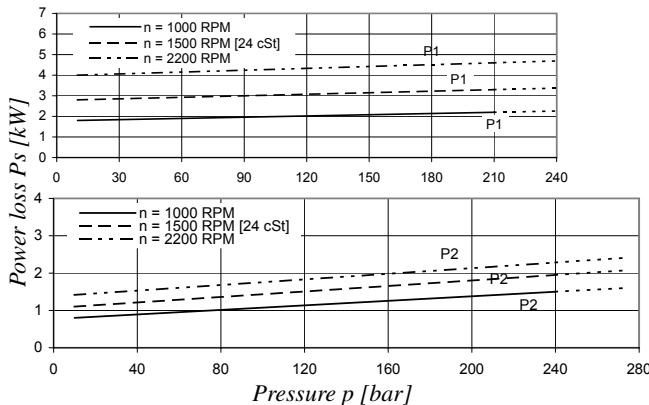
Do not operate pump more than 5 seconds at any speed or viscosity if internal leakage is higher than 50% of theoretical flow. Total leakage is the sum of each section loss under its respective operating conditions.

**NOISE LEVEL (TYPICAL) - T67EC - 050 - 022**



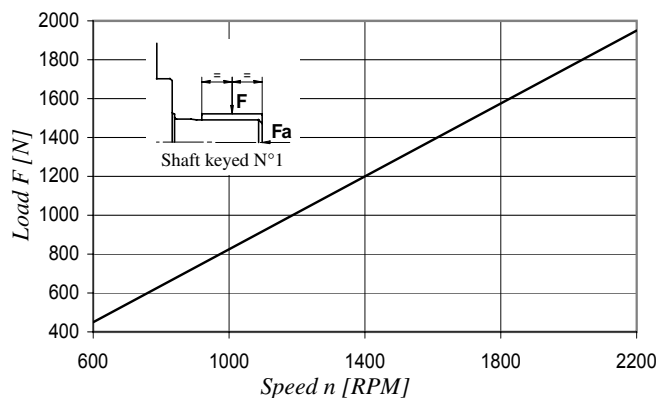
Double pump noise level is given with both stages discharging at the pressure value indicated on the curve.

**POWER LOSS HYDROMECHANICAL (TYPICAL)**

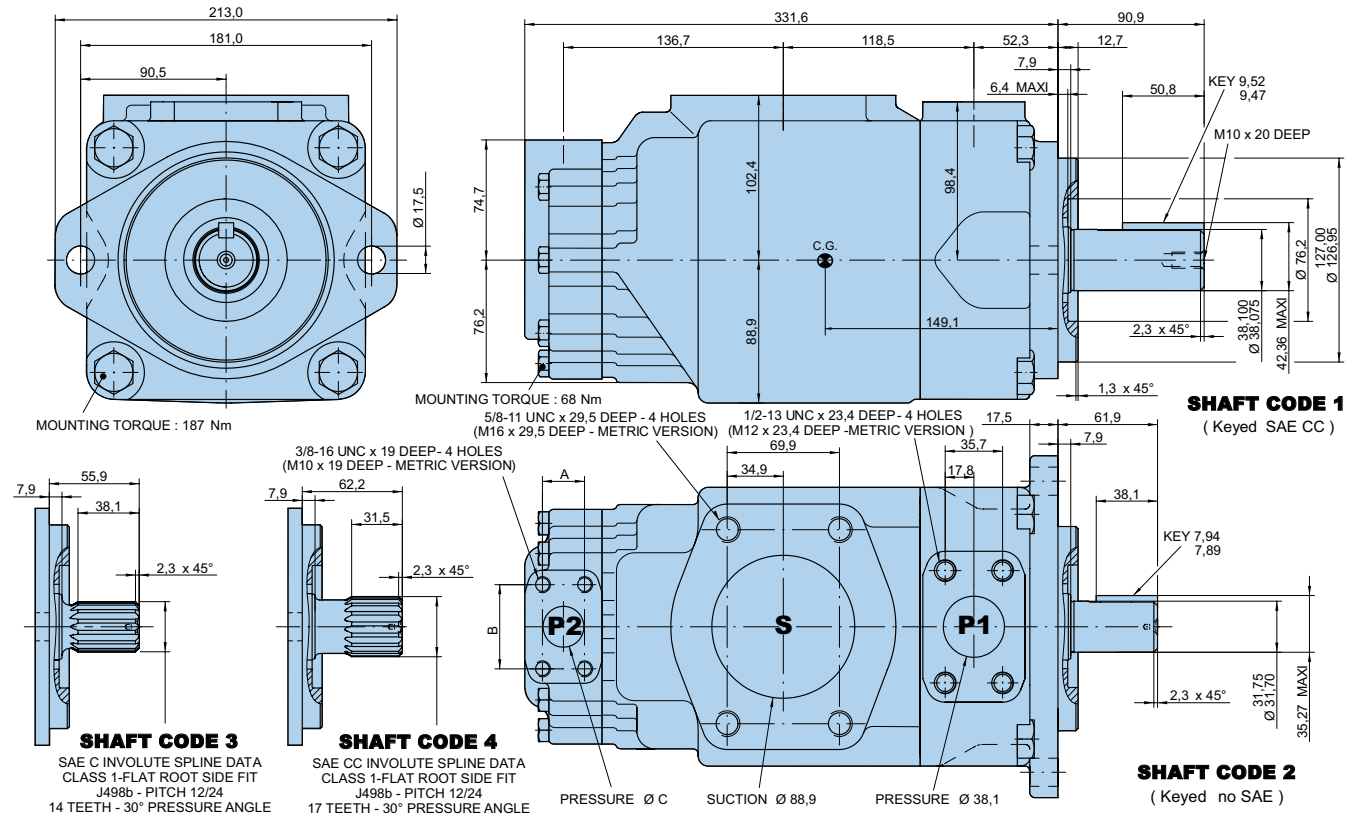


Total hydromechanical power loss is the sum of each section loss under its respective operating conditions.

**PERMISSIBLE RADIAL LOAD**



Maximum permissible axial load  $F_a = 2000$  N



Alternate connect. variables		
	00 & M0	01 & M1
A	26,20	22,20
B	52,35	47,60
C	25,40	19,05

Shaft torque limits [ml/rev. x bar]			
Shaft	Vi x p max.	Shaft	Vi x p max.
1	72300	3	61200
2	34590	4	76300

**OPERATING CHARACTERISTICS - TYPICAL [24 cSt]**

Pressure port	Series	Vi Volumetric displacement	Flow q <sub>v</sub> [l/min] & n = 1500 RPM			Input power P [kW] & n = 1500 RPM		
			p = 0 bar	p = 140 bar	p = 240 bar	p = 7 bar	p = 140 bar	p = 240 bar
P1	042	132,3 ml/rev	198,5	188,5	181,3	5,2	49,4	82,6
	045	142,4 ml/rev	213,6	203,6	196,5	5,4	52,9	88,7
	050	158,5 ml/rev	237,7	227,7	220,6	5,7	58,5	98,3
	052	164,8 ml/rev	247,2	237,2	230,1	5,8	60,8	102,1
	054	171,0 ml/rev	256,5	246,5	239,4	5,9	63,0	105,8
	057	183,3 ml/rev	275,0	265,0	257,9	6,1	67,3	113,2
	062	196,7 ml/rev	295,0	285,0	277,9	6,4	71,9	121,3
	066	213,3 ml/rev	319,9	309,0	302,8	6,7	77,7	131,2
	072	227,1 ml/rev	340,6	330,6	323,5	6,9	82,6	139,5
085	268,7 ml/rev	403,0	392,0 <sup>1)</sup>	-	9,1	65,8 <sup>1)</sup>	-	
P2			p = 0 bar	p = 140 bar	p = 275 bar	p = 7 bar	p = 140 bar	p = 275 bar
	003	10,8 ml/rev	16,2	11,2	*	1,3	5,3	*
	005	17,2 ml/rev	25,8	20,8	16,1	1,4	7,5	13,9
	006	21,3 ml/rev	31,9	26,9	22,2	1,5	8,9	16,8
	008	26,4 ml/rev	39,6	34,6	29,9	1,6	10,7	20,3
	010	34,1 ml/rev	51,1	46,1	41,4	1,7	13,4	25,6
	012	37,1 ml/rev	55,6	50,6	45,9	1,7	14,4	27,6
	014	46,0 ml/rev	69,0	64,0	59,3	1,9	17,6	33,7
	017	58,3 ml/rev	87,4	82,4	77,7	2,1	21,9	42,2
	020	63,8 ml/rev	95,7	90,7	86,0	2,2	23,8	46,0
	022	70,3 ml/rev	105,4	100,4	95,7	2,3	26,1	50,4
	025	79,3 ml/rev	118,9	113,9	109,2	2,5	29,2	56,6
	028	88,8 ml/rev	133,2	128,2	125,8 <sup>2)</sup>	2,8	32,7	48,5 <sup>2)</sup>
	031	100,0 ml/rev	150,0	145,0	142,6 <sup>2)</sup>	2,8	36,5	54,4 <sup>2)</sup>

\* We do not recommend to use the size 003 in P2 at 275 bar & 1500 RPM as the internal leakage is over 50% of theoretical flow.

<sup>1)</sup> 085 = 90 bar max. int.      <sup>2)</sup> 028 - 031 = 210 bar max.int.

**Model No. T7ED or T7EDS - 042 - B22 - 1 R 00 - A 1 M0 - ..**

**T7ED series** - ISO 2 bolts 3019-2 mounting flange 125 A2 HW  
**T7EDS series** - SAE C 2 bolts J744 mounting flange

**Displacement P1**

Volumetric displacement (ml/rev.)  
 042 = 132,3 057 = 183,3  
 045 = 142,4 062 = 196,7  
 050 = 158,5 066 = 213,3  
 052 = 164,8 072 = 227,1  
 054 = 171,0 085 = 268,7

**Displacement P2**

Volumetric displacement (ml/rev.)  
 B14 = 44,0 B31 = 99,2  
 B17 = 55,0 B35 = 113,4  
 B20 = 66,0 B38 = 120,6  
 B22 = 70,3 B42 = 137,5  
 B24 = 81,1 045 = 145,7  
 B28 = 90,0 050 = 158,0

**Type of shaft T7EDS**

1 = keyed (SAE CC) 3 = splined (SAE C) 14 teeth  
 2 = keyed (non SAE) 4 = splined (SAE CC) 17 teeth

**Type of shaft T7ED - T7EDS**

5 = keyed (ISO R775 - G38M)

**Modifications**

**Mounting w/connection variables**

4 bolts SAE flanges J518

P1 = 1.1/2" - P2 = 1.1/4" - S = 4"		
	T7ED - T7EDS	T7EDS
<b>Type</b>	Metric thread	UNC thread
<b>Code</b>	M0	00

**Seal class**

1 = S1 BUNA N - 0,7 bar max. (for mineral oil)  
 4 = S4 EPDM - 7 bar max. (for fire resistant fluids)  
 5 = S5 VITON® - 7 bar max. (for mineral oil and fire resistant fluids)

**Design letter**

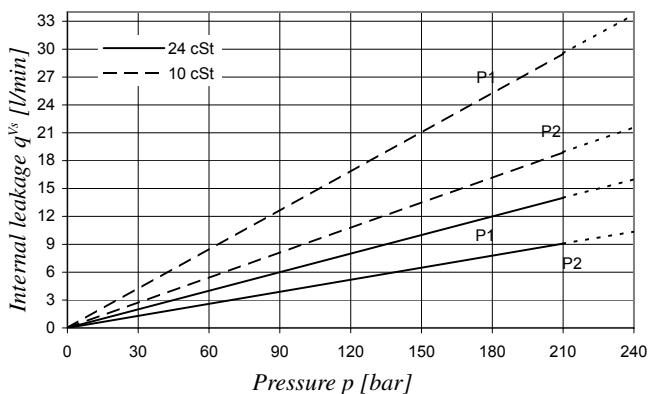
**Porting combination (see page 72)**

00 = standard

**Direction of rotation (shaft end view)**

R = Clockwise  
 L = Counter-clockwise

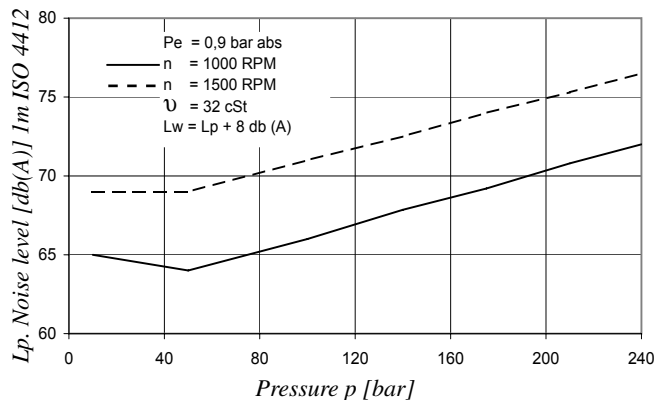
**INTERNAL LEAKAGE (TYPICAL)**



Do not operate pump more than 5 seconds at any speed or viscosity if internal leakage is higher than 50% of theoretical flow.

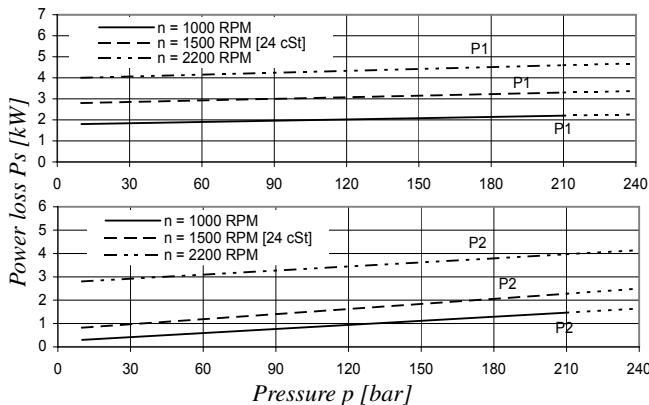
Total leakage is the sum of each section loss under its respective operating conditions.

**NOISE LEVEL (TYPICAL) - T7EDS - 050 - B31**



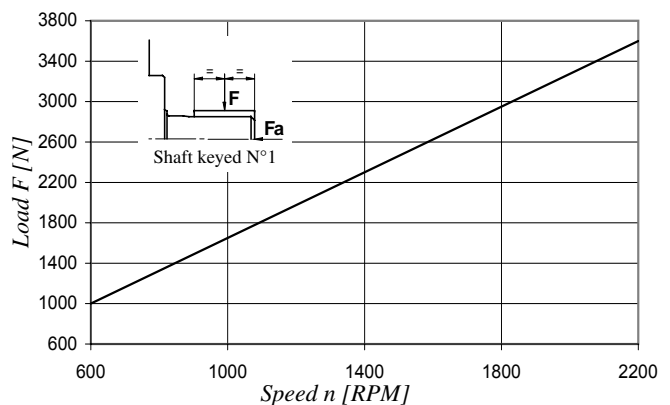
Double pump noise level is given with both stages discharging at the pressure value indicated on the curve.

**POWER LOSS HYDROMECHANICAL (TYPICAL)**

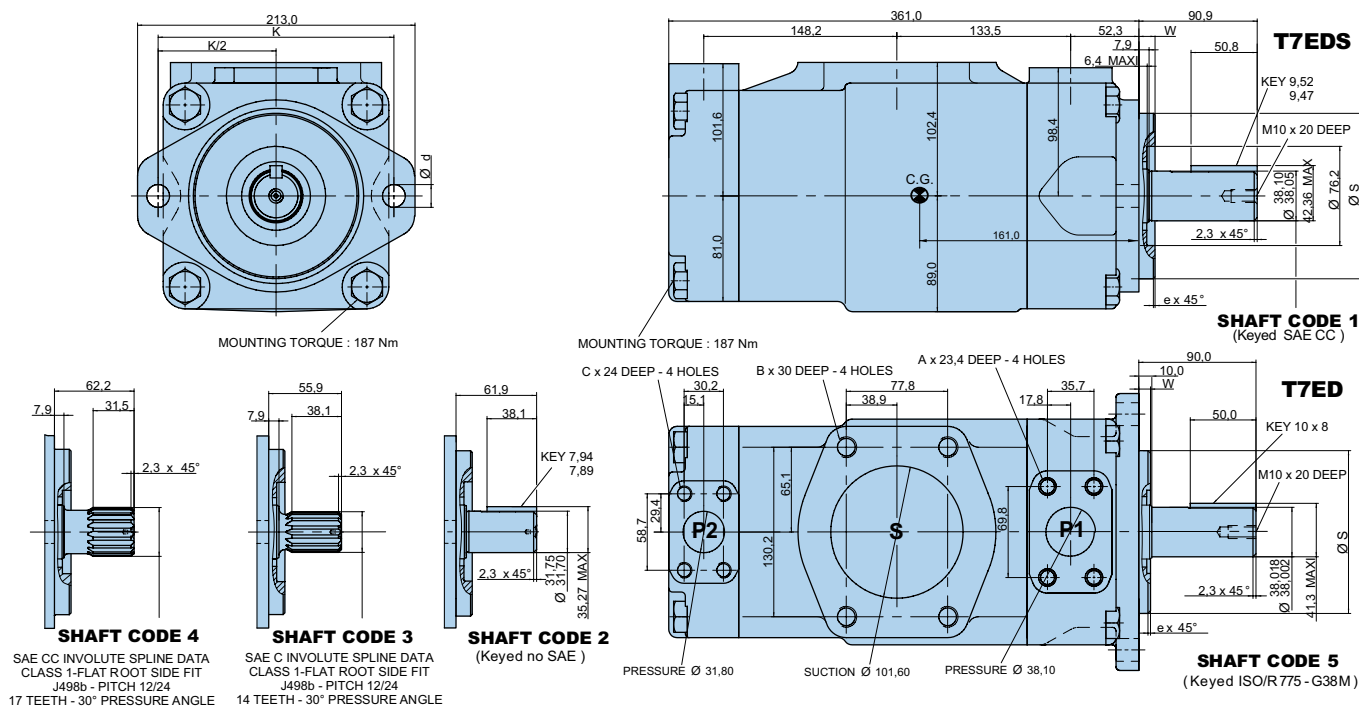


Total hydromechanical power loss is the sum of each section loss under its respective operating conditions.

**PERMISSIBLE RADIAL LOAD**



Maximum permissible axial load Fa = 2000 N



Alternate mounting flange						
	Dia S		e x 45°	W	K	Dia d
	Max.	Min.				
T7ED	125,000	124,937	2,0	9,5	180,0	18,0
T7EDS	127,000	126,950	1,3	12,7	181,0	17,5

Alternate connect. variables		
	00	M0
A	1/2" - 13 UNC	M12
B	5/8" - 11 UNC	M16
C	7/16" - 14 UNC	M12

Shaft torque limits [ml/rev. x bar]			
Shaft	Vi x p max.	Shaft	Vi x p max.
1	72300	4	68500
2	34590	5	68500
3	61200		

**OPERATING CHARACTERISTICS - TYPICAL [24 cSt]**

Pressure port	Series	Vi Volumetric displacement	Flow q <sub>v</sub> [l/min] & n = 1500 RPM			Input power P [kW] & n = 1500 RPM		
			p = 0 bar	p = 140 bar	p = 240 bar	p = 7 bar	p = 140 bar	p = 240 bar
P1	042	132,3 ml/rev	198,5	188,5	181,3	5,2	49,4	82,6
	045	142,4 ml/rev	213,6	203,6	196,5	5,4	52,9	88,7
	050	158,5 ml/rev	237,7	227,7	220,6	5,7	58,5	98,3
	052	164,8 ml/rev	247,2	237,2	230,1	5,8	60,8	102,1
	054	171,0 ml/rev	256,5	246,5	239,4	5,9	63,0	105,8
	057	183,3 ml/rev	275,0	265,0	257,9	6,1	67,3	113,2
	062	196,7 ml/rev	295,0	285,0	277,9	6,4	71,9	121,3
	066	213,3 ml/rev	319,9	309,0	302,8	6,7	77,7	131,2
	072	227,1 ml/rev	340,6	330,6	323,5	6,9	82,6	139,5
	085	268,7 ml/rev	403,0	392,0 <sup>1)</sup>	-	9,1	65,8 <sup>1)</sup>	-
P2			p = 0 bar	p = 140 bar	p = 250 bar	p = 7 bar	p = 140 bar	p = 250 bar
	B14	44,0 ml/rev	66,0	59,4	54,2	1,5	16,6	29,0
	B17	55,0 ml/rev	82,5	75,9	70,7	1,7	20,4	35,8
	B20	66,0 ml/rev	99,0	92,4	87,2	1,9	24,3	42,7
	B22	70,3 ml/rev	105,5	98,8	93,7	2,0	25,8	45,4
	B24	81,1 ml/rev	121,7	115,0	109,9	2,2	29,5	52,1
	B28	90,0 ml/rev	135,0	128,4	123,2	2,3	32,7	57,7
	B31	99,2 ml/rev	148,8	142,2	137,0	2,5	35,9	63,5
	B35	113,4 ml/rev	170,1	163,5	158,3	2,7	40,8	72,3
	B38	120,6 ml/rev	180,9	174,3	169,1	2,9	43,4	76,8
	B42	137,5 ml/rev	206,3	199,6	194,5	3,2	49,3	87,4
	045	145,7 ml/rev	218,6	209,2	202,6 <sup>3)</sup>	4,1	52,8	89,5 <sup>3)</sup>
	050	158,0 ml/rev	237,0	227,7	223,0 <sup>2)</sup>	4,4	57,1	85,0 <sup>2)</sup>

<sup>1)</sup> 085 = 90 bar max. int.    <sup>2)</sup> 050 = 210 bar max. int.    <sup>3)</sup> 045 = 240 bar max. int.

**Model No.** T7EE or T7EES - 066 - 045 - 1 R 00 - A 1 0 00 - ..

**T7EE series** - ISO 4 bolts 3019-2

Mounting flange 250 B4 HW

**T7EES series** - SAE E 4 bolts

J744 mounting flange

P1 P2

**Displacement P1 & P2**

Volumetric displacement (ml/rev.)

042 = 132,3 057 = 183,3

045 = 142,4 062 = 196,7

050 = 158,5 066 = 213,3

052 = 164,8 072 = 227,1

054 = 171,0 085 = 268,7

**Type of shaft T7EES**

1 = keyed (SAE CC) 4 = splined (SAE D & E) 13 teeth

3 = splined (SAE CC) 17 teeth 5 = keyed (SAE D & E)

**Type of shaft T7EE**

2 = keyed (ISO 3019-2 - G45N)

**Direction of rotation (shaft end view)**

R = Clockwise

L = Counter-clockwise

**Modifications**

**Mounting w/connection variables**

4 bolts SAE flanges J518

P1 & P2 = 1.1/2" - S = 4"		
	T7EE - T7EES	T7EES
<b>Type</b>	<b>Metric thread</b>	<b>UNC thread</b>
<b>Code</b>	M0	00

**Coupling adaptor**

0 = none

2 = SAE B

3 = SAE BB

\* for SAE C, please contact Parker

**Seal class**

1 = S1 BUNA N - 0,7 bar max. (for mineral oil)

4 = S4 EPDM - 7 bar max. (for fire resistant fluids)

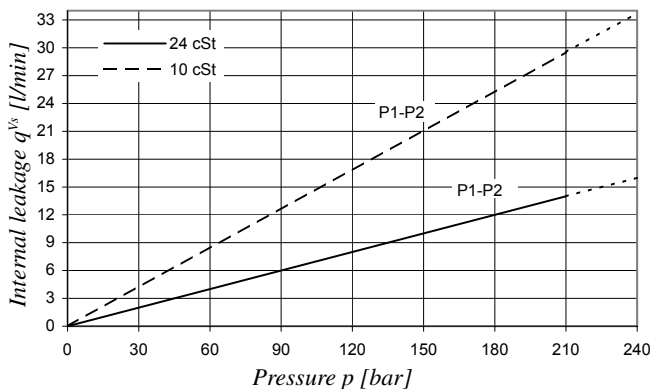
5 = S5 VITON® - 7 bar max. (for mineral oil and fire resistant fluids)

**Design letter**

**Porting combination (see page 72)**

00 = standard

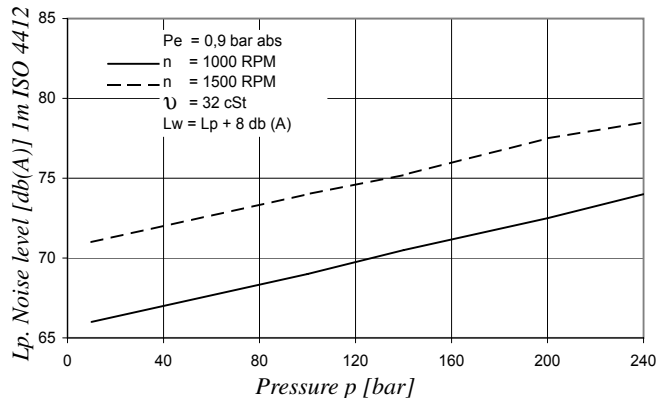
**INTERNAL LEAKAGE (TYPICAL)**



Do not operate pump more than 5 seconds at any speed or viscosity if internal leakage is higher than 50% of theoretical flow.

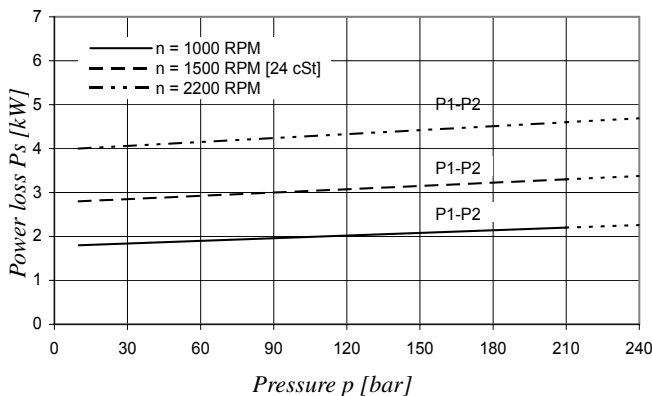
Total leakage is the sum of each section loss under its respective operating conditions.

**NOISE LEVEL (TYPICAL) - T7EE - 050 - 050**



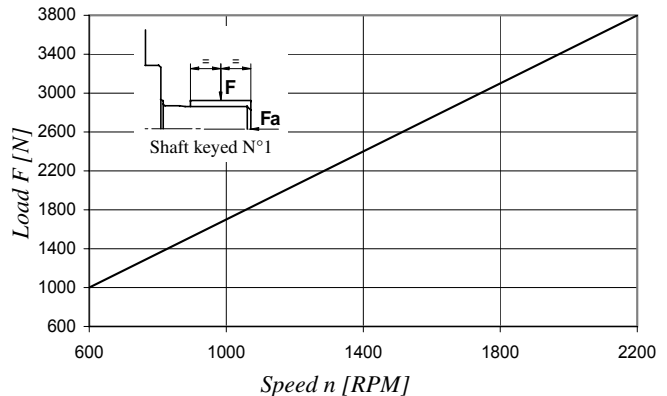
Double pump noise level is given with both stages discharging at the pressure value indicated on the curve.

**POWER LOSS HYDROMECHANICAL (TYPICAL)**



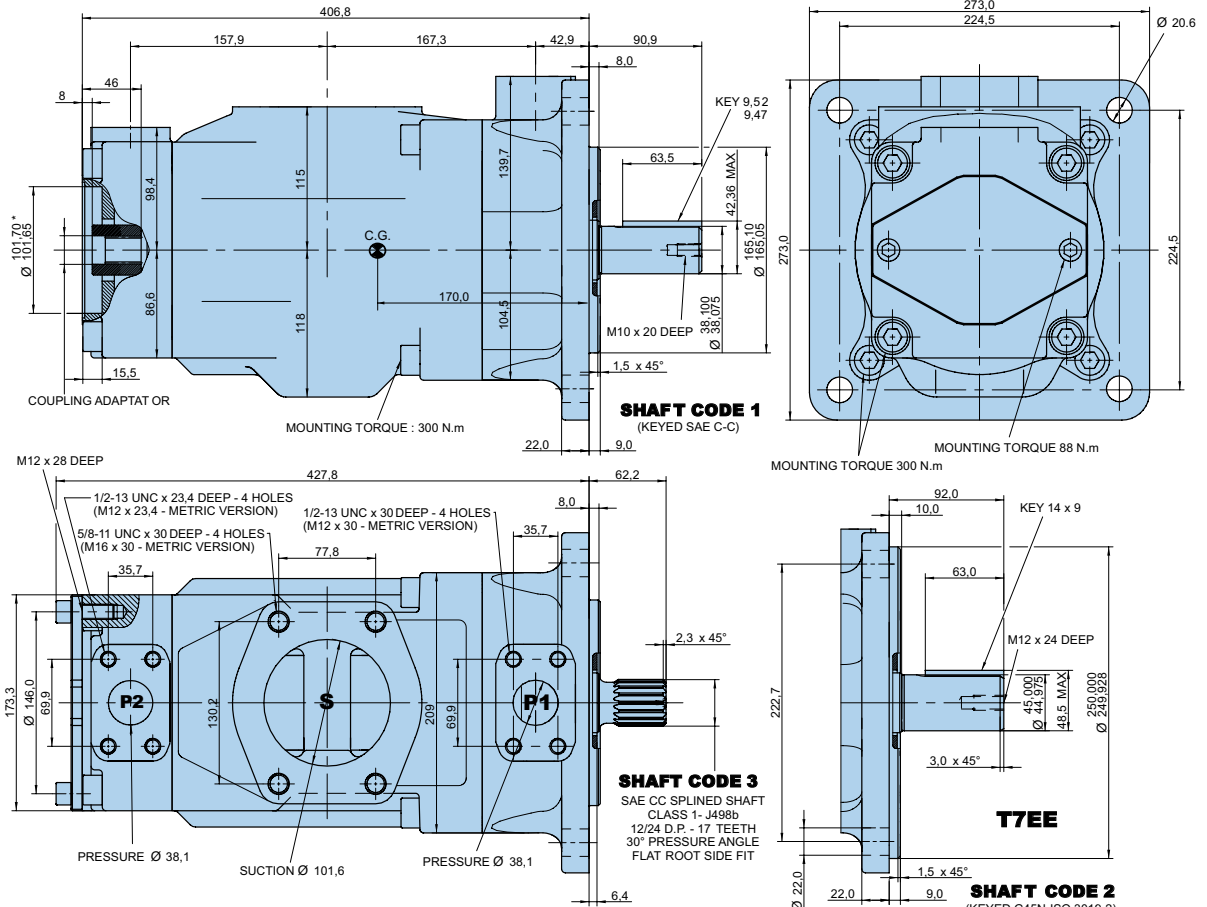
Total hydromechanical power loss is the sum of each section loss under its respective operating conditions.

**PERMISSIBLE RADIAL LOAD**



Maximum permissible axial load Fa = 2000 N





Code	Coupling adaptor
0	Without coupling
2	SAE B - 13 teeth - Pitch 16/32 Major dia. (min) 22,225 - Minor dia. (min) 19,134
3	SAE BB - 15 teeth - Pitch 16/32 Major dia. (min.) 25,400 - Minor dia. (min.) 22,268

Shaft torque limits [ml/rev. x bar]			
Shaft	Vi x p max.	Coupling drive	Vi x p max.
1	90380	SAE B	20600
2	114600	SAE BB	32670
3	126800		
4	126800		
5	118340		

**OPERATING CHARACTERISTICS - TYPICAL [24 cSt]**

Pressure port	Series	Vi Volumetric displacement	Flow q <sub>v</sub> [l/min] & n = 1500 RPM			Input power P [kW] & n = 1500 RPM		
			p = 0 bar	p = 140 bar	p = 240 bar	p = 7 bar	p = 140 bar	p = 240 bar
P1 & P2	042	132,3 ml/rev	198,5	188,5	181,3	5,2	49,4	82,6
	045	142,4 ml/rev	213,6	203,6	196,5	5,4	52,9	88,7
	050	158,5 ml/rev	237,7	227,7	220,6	5,7	58,5	98,3
	052	164,8 ml/rev	247,2	237,2	230,1	5,8	60,8	102,1
	054	171,0 ml/rev	256,5	246,5	239,4	5,9	63,0	105,8
	057	183,3 ml/rev	275,0	265,0	257,9	6,1	67,3	113,2
	062	196,7 ml/rev	295,0	285,0	277,9	6,4	71,9	121,3
	066	213,3 ml/rev	319,9	309,0	302,8	6,7	77,7	131,2
	072	227,1 ml/rev	340,6	330,6	323,5	6,9	82,6	139,5
	085	268,7 ml/rev	403,0	392,0 <sup>1)</sup>	-	9,1	65,8 <sup>1)</sup>	-

<sup>1)</sup> 085 = 90 bar max. int.

\* For SAE C, please contact Parker.

**Model No.**      **T7DBB or T7DBBS - B38 - B14 - B08 - 1 R 00 - A 1 - M1 - ..**

**T7DBB series** - ISO 6 bolts 3019-2  
Mounting flange 125-A2-HW or 125-B4-HW

**T7DBBS series** - SAE C 6 bolts  
J744 mounting flange

**Displacement for "P1"**  
Volumetric displacement (ml/rev)  
B14 = 44,0    B31 = 99,2  
B17 = 55,0    B35 = 113,4  
B20 = 66,0    B38 = 120,6  
B22 = 70,3    B42 = 137,5  
B24 = 81,1    045 = 145,7  
B28 = 90,0    050 = 158,0

**Displacement for "P2" & "P3"**  
Volumetric displacement (ml/rev)  
B02 = 5,8    B09 = 28,0  
B03 = 9,8    B10 = 31,8  
B04 = 12,8    B11 = 35,0  
B05 = 15,9    B12 = 41,0  
B06 = 19,8    B14 = 45,0  
B07 = 22,5    B15 = 50,0  
B08 = 24,9

**Type of shaft T7DBBS**  
1 = keyed (non SAE)  
2 = keyed (SAE CC)  
3 = splined 12/24 (SAE C) (14 teeth)  
4 = splined 12/24 (SAE CC) (17 teeth)

**Type of shaft T7DBB & T7DBBS**  
5 = keyed (ISO 3019/2 - G38M)

**Modifications**

**Mounting w/connection variables**  
4 bolts SAE flange J518

<b>P1 = 1.1/4" - P2 = 1" - S = 4"</b>		
	<b>Metric thread</b>	<b>UNC thread</b>
T7DBB-P3 = 3/4"	M1	
T7DBBS-P3 = 3/4"	M1	01
T7DBB-P3 = 1"	M0	
T7DBBS-P3 = 1"	M0	00

**Seal class**

1 = S1 BUNA N - 0,7 bar max. (for mineral oil)  
4 = S4 EPDM - 7 bar max. (for fire resistant fluids)  
5 = S5 VITON® - 7 bar max. (for mineral oil and fire resistant fluids)

**Design letter**

**Porting combination (see pages 72 - 73)**  
00 = standard

**Direction of rotation (shaft end view)**

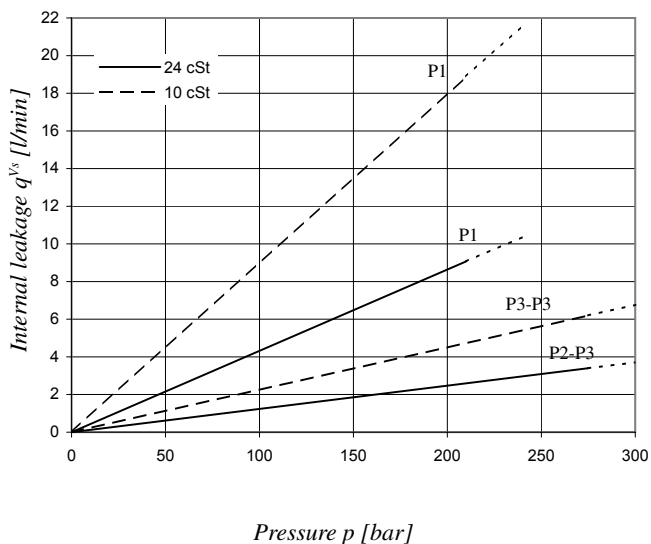
R = Clockwise  
L = Counter-clockwise

**OPERATING CHARACTERISTICS - TYPICAL [24 cSt]**

Pressure port	Series	Vi Volumetric displacement	Flow q <sub>vc</sub> [l/min] & n = 1500 RPM			Input power P [kW] & n = 1500 RPM		
			p = 0 bar	p = 140 bar	p = 250 bar	p = 7 bar	p = 140 bar	p = 250 bar
P1	B14	44,0 ml/rev	66,0	59,4	54,2	1,5	16,6	29,0
	B17	55,0 ml/rev	82,5	75,9	70,7	1,7	20,4	35,8
	B20	66,0 ml/rev	99,0	92,4	87,2	1,9	24,3	42,7
	B22	70,3 ml/rev	105,5	98,8	93,7	2,0	25,8	45,4
	B24	81,1 ml/rev	121,7	115,0	109,9	2,2	29,5	52,1
	B28	90,0 ml/rev	135,0	128,4	123,2	2,3	32,7	57,7
	B31	99,2 ml/rev	148,8	142,2	137,0	2,5	35,9	63,5
	B35	113,4 ml/rev	170,1	163,5	158,3	2,7	40,8	72,3
	B38	120,6 ml/rev	180,9	174,3	169,1	2,9	43,4	76,8
	B42	137,5 ml/rev	206,3	199,6	194,5	3,2	49,3	87,4
	045	145,7 ml/rev	218,6	209,2	202,6 <sup>1)</sup>	4,1	52,8	89,5 <sup>1)</sup>
050	158,0 ml/rev	237,0	227,7	223,0 <sup>2)</sup>	4,4	57,1	85,0 <sup>2)</sup>	
			p = 0 bar	p = 140 bar	p = 300 bar	p = 7 bar	p = 140 bar	p = 300 bar
P2 & P3	B02	5,8 ml/rev	8,7	7,0	5,1	0,5	2,6	5,1
	B03	9,8 ml/rev	14,7	13,0	11,1	0,6	4,0	8,1
	B04	12,8 ml/rev	19,2	17,5	15,6	0,6	5,0	10,4
	B05	15,9 ml/rev	23,9	22,2	20,2	0,7	6,1	12,7
	B06	19,8 ml/rev	29,7	28,0	26,1	0,7	7,5	15,6
	B07	22,5 ml/rev	33,7	32,0	30,2	0,8	8,5	17,6
	B08	24,9 ml/rev	37,4	35,7	33,7	0,8	9,3	19,5
	B09	28,0 ml/rev	42,0	40,3	38,4	0,9	10,4	21,8
	B10	31,8 ml/rev	47,7	46,0	44,1	0,9	11,7	26,2
	B11	35,0 ml/rev	52,5	50,8	48,9	1,0	12,8	27,0
	B12	41,0 ml/rev	61,5	59,8	57,9	1,1	14,9	31,5
	B14	45,0 ml/rev	67,5	65,8	63,9	1,2	16,3	34,5
	B15	50,0 ml/rev	75,0	73,3	71,6 <sup>3)</sup>	1,3	18,1	35,7 <sup>3)</sup>

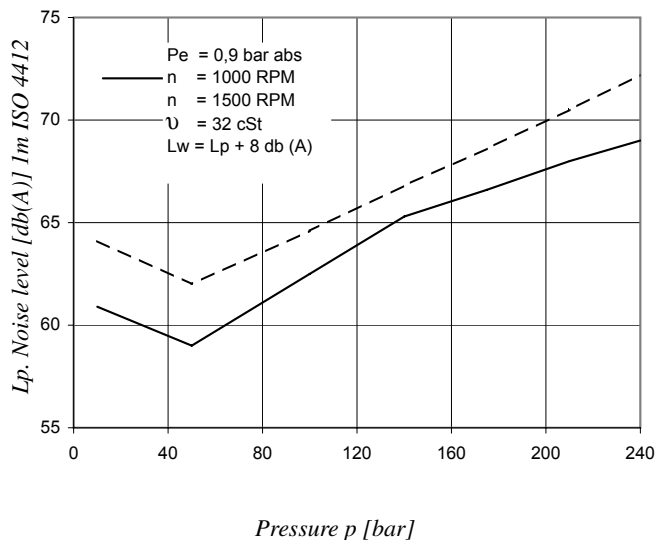
<sup>1)</sup> 045 = 240 bar max. int.    <sup>2)</sup> 050 = 210 bar max. int.    <sup>3)</sup> B15 = 280 bar max. int.

**INTERNAL LEAKAGE (TYPICAL)**



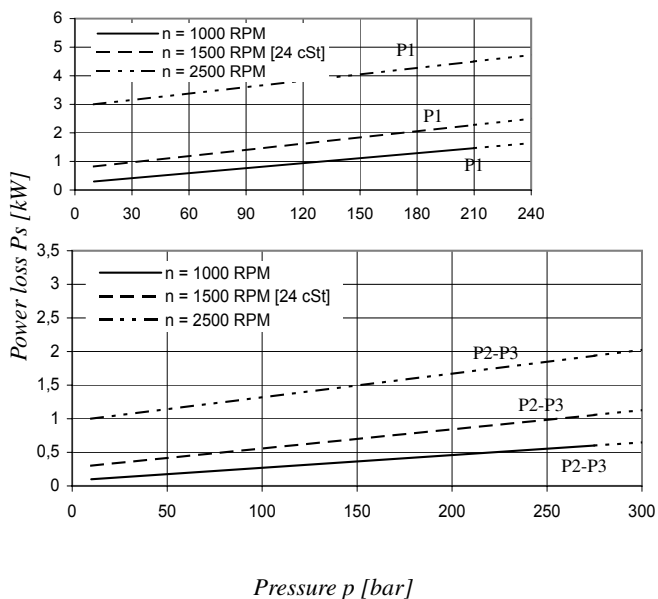
Do not operate pump more than 5 seconds at any speed or viscosity if internal leakage is higher than 50% of theoretical flow.  
 Total leakage is the sum of each section loss under its respective operating conditions.

**NOISE LEVEL (TYPICAL) - T7DBB - B38 - B06 - B04**



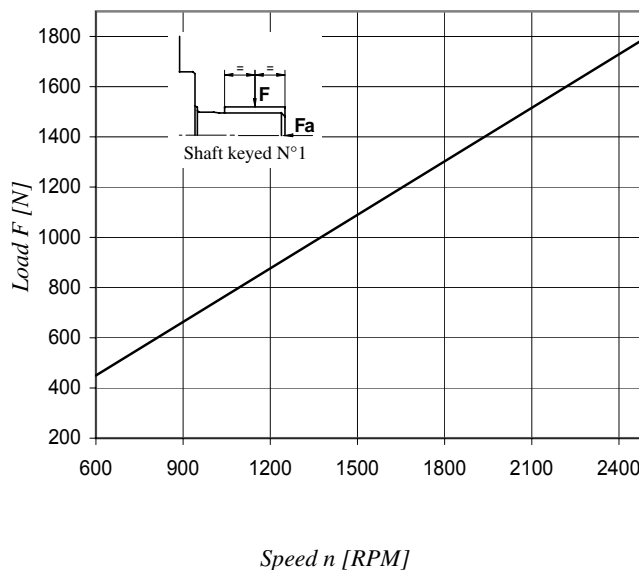
Triple pump noise level is given with all stages discharging at the pressure value indicated on the curve.

**POWER LOSS HYDROMECHANICAL (TYPICAL)**

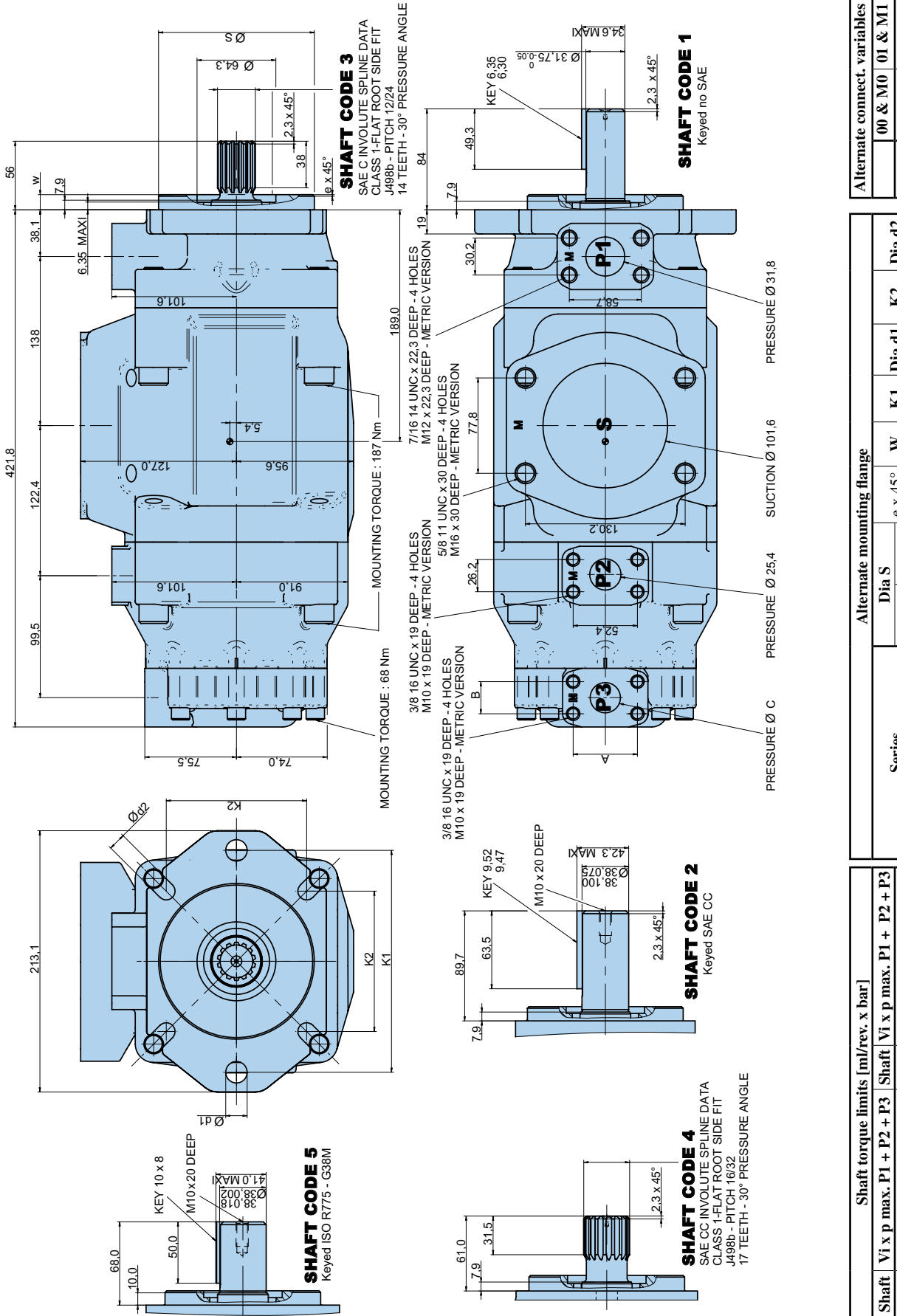


Total hydromechanical power loss is the sum of each section loss under its respective operating conditions.

**PERMISSIBLE RADIAL LOAD**



Maximum permissible axial load  $F_a = 1200\text{ N}$



Alternate connect. variables	
	00 & M0 01 & M1
A	52,4
B	26,2
C	25,4
	47,6
	22,2
	19,0

Alternate mounting flange							
Series	Dia S	e x 45°	W	K1	Dia d1	K2	Dia d2
T7DBB - T7DCB - T7DCC	125,000	124,937	2,0	9,5	180,0	18,0	113,14
T7DBBS - T7DCBS - T7DCCS	127,000	126,950	1,3	12,7	181,0	17,5	114,50
	142,500	142,437	2,0	9,5	180,0	18,0	113,14

Shaft torque limits [ml/rev. x bar]		
Shaft Vi x p max. P1 + P2 + P3	Shaft Vi x p max. P1 + P2 + P3	Shaft Vi x p max. P1 + P2 + P3
1	43240	83400
2	71750	56500
3	61200	

**Model No. T7DCB or T7DCBS - B38 - 028 - B08 - 1 R 00 - A 1 - M1 - ..**

**T7DCB series** - ISO 6 bolts 3019-2  
mounting flange 125-A2-HW or 125-B4-HW

**T7DCBS series** - SAE C 6 bolts  
J744 mounting flange

**Displacement for "P1"**

Volumetric displacement (ml/rev)  
B14 = 44,0 B24 = 81,1 B38 = 120,6  
B17 = 55,0 B28 = 90,0 B42 = 137,5  
B20 = 66,0 B31 = 99,2 045 = 145,7  
B22 = 70,3 B35 = 113,4 050 = 158,0

**Displacement for "P2"**

Volumetric displacement (ml/rev)  
003 = 10,8 012 = 37,1 022 = 70,3  
005 = 17,2 014 = 46,0 025 = 79,3  
006 = 21,3 017 = 58,3 028 = 88,8  
008 = 26,4 020 = 63,8 031 = 100,0  
010 = 34,1

**Displacement for "P3"**

Volumetric displacement (ml/rev)  
B02 = 5,8 B07 = 22,5 B12 = 41,0  
B03 = 9,8 B08 = 24,9 B14 = 45,0  
B04 = 12,8 B09 = 28,0 B15 = 50,0  
B05 = 15,9 B10 = 31,8  
B06 = 19,8 B11 = 35,0

**Modifications**

**Mounting w/connection variables**  
4 bolts SAE flange J518

	P1 = 1,1/4" - P2 = 1" - S = 4"	
	Metric thread	UNC thread
T7DCB-P3 = 3/4"	M1	
T7DCBS-P3 = 3/4"	M1	01
T7DCB-P3 = 1"	M0	
T7DCBS-P3 = 1"	M0	00

**Seal class**

1 = S1 BUNA N - 0,7 bar max. (for mineral oil)  
4 = S4 EPDM- 7 bar max. (for fire resistant fluids)  
5 = S5 VITON - 7 bar max. (for mineral oil and fire resistant fluids)

**Design letter**

**Porting combination (see pages 72 - 73)**  
00 = standard

**Direction of rotation (shaft end view)**

R = Clockwise L = Counter-clockwise

**Type of shaft T7DCB & T7DCBS - Type of shaft T7DCBS**

5 = keyed (ISO 3019/2 - G38M) 1 = keyed (non SAE)  
2 = keyed (SAE CC)  
3 = splined 12/24 (SAE C) (14 teeth)  
4 = splined 12/24 (SAE CC) (17 teeth)

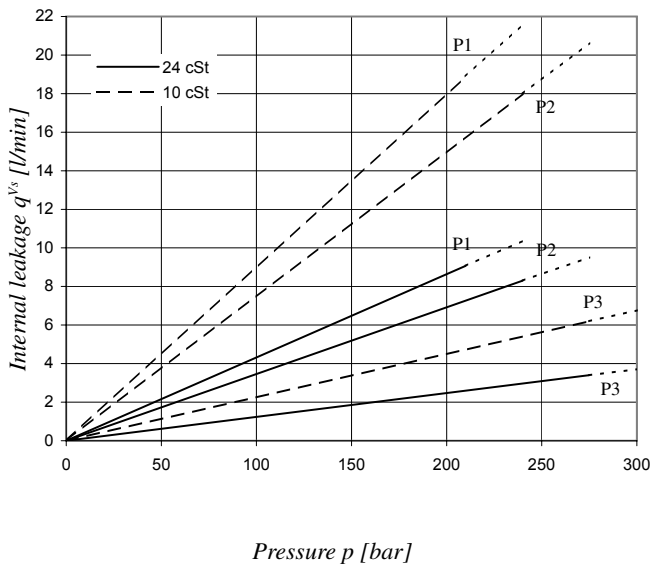
**OPERATING CHARACTERISTICS - TYPICAL [24 cSt]**

Pressure port	Series	Vi Volumetric displacement	Flow qv [l/min] & n = 1500 RPM			Input power P [kW] & n = 1500 RPM		
			p = 0 bar	p = 140 bar	p = 250 bar	p = 7 bar	p = 140 bar	p = 250 bar
P1	B14	44,0 ml/rev	66,0	59,4	54,2	1,5	16,6	29,0
	B17	55,0 ml/rev	82,5	75,9	70,7	1,7	20,4	35,8
	B20	66,0 ml/rev	99,0	92,4	87,2	1,9	24,3	42,7
	B22	70,3 ml/rev	105,5	98,8	93,7	2,0	25,8	45,4
	B24	81,1 ml/rev	121,7	115,0	109,9	2,2	29,5	52,1
	B28	90,0 ml/rev	135,0	128,4	123,2	2,3	32,7	57,7
	B31	99,2 ml/rev	148,8	142,2	137,0	2,5	35,9	63,5
	B35	113,4 ml/rev	170,1	163,5	158,3	2,7	40,8	72,3
	B38	120,6 ml/rev	180,9	174,3	169,1	2,9	43,4	76,8
	B42	137,5 ml/rev	206,3	199,6	194,5	3,2	49,3	87,4
	045	145,7 ml/rev	218,6	209,2	202,6 <sup>2)</sup>	4,1	52,8	89,5 <sup>2)</sup>
	050	158,0 ml/rev	237,0	227,7	223,0 <sup>1)</sup>	4,4	57,1	85,0 <sup>1)</sup>
			p = 0 bar	p = 140 bar	p = 275 bar	p = 7 bar	p = 140 bar	p = 275 bar
P2	003	10,8 ml/rev	16,2	11,2	*	1,3	5,3	*
	005	17,2 ml/rev	25,8	20,8	16,1	1,4	7,5	13,9
	006	21,3 ml/rev	31,9	26,9	22,2	1,5	8,9	16,8
	008	26,4 ml/rev	39,6	34,6	29,9	1,6	10,7	20,3
	010	34,1 ml/rev	51,1	46,1	41,4	1,7	13,4	25,6
	012	37,1 ml/rev	55,6	50,6	45,9	1,7	14,4	27,6
	014	46,0 ml/rev	69,0	64,0	59,3	1,9	17,6	33,7
	017	58,3 ml/rev	87,4	82,4	77,7	2,1	21,9	42,2
	020	63,8 ml/rev	95,7	90,7	86,0	2,2	23,8	46,0
	022	70,3 ml/rev	105,4	100,4	95,7	2,3	26,1	50,4
	025	79,3 ml/rev	118,9	113,9	109,2	2,5	29,2	56,6
	028	88,8 ml/rev	133,2	128,2	125,8 <sup>1)</sup>	2,8	32,7	48,5 <sup>1)</sup>
	031	100,0 ml/rev	150,0	145,0	142,6 <sup>1)</sup>	2,8	36,5	54,4 <sup>1)</sup>
			p = 0 bar	p = 140 bar	p = 300 bar	p = 7 bar	p = 140 bar	p = 300 bar
P3	B02	5,8 ml/rev	8,7	7,0	5,1	0,5	2,6	5,1
	B03	9,8 ml/rev	14,7	13,0	11,1	0,6	4,0	8,1
	B04	12,8 ml/rev	19,2	17,5	15,6	0,6	5,0	10,4
	B05	15,9 ml/rev	23,9	22,2	20,2	0,7	6,1	12,7
	B06	19,8 ml/rev	29,7	28,0	26,1	0,7	7,5	15,6
	B07	22,5 ml/rev	33,7	32,0	30,2	0,8	8,5	17,6
	B08	24,9 ml/rev	37,4	35,7	33,7	0,8	9,3	19,5
	B09	28,0 ml/rev	42,0	40,3	38,4	0,9	10,4	21,8
	B10	31,8 ml/rev	47,7	46,0	44,1	0,9	11,7	26,2
	B11	35,0 ml/rev	52,5	50,8	48,9	1,0	12,8	27,0
	B12	41,0 ml/rev	61,5	59,8	57,9	1,1	14,9	31,5
	B14	45,0 ml/rev	67,5	65,8	63,9	1,2	16,3	34,5
	B15	50,0 ml/rev	75,0	73,3	71,6 <sup>3)</sup>	1,3	18,1	35,7 <sup>3)</sup>

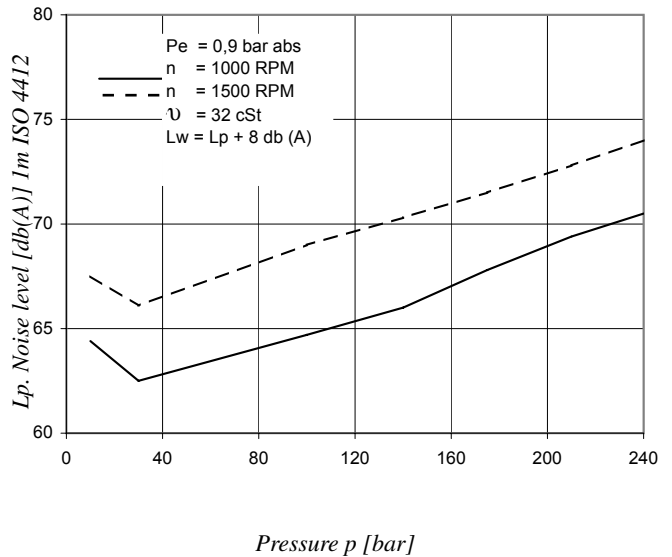
\* We do not recommend to use the size 003 in P2 at 275 bar & 1500 RPM as the internal leakage is over 50% of theoretical flow.

<sup>1)</sup> 050 - 028 - 031 = 210 bar max. int. <sup>2)</sup> 045 = 240 bar max. int. <sup>3)</sup> B15 = 280 bar max. int.

**INTERNAL LEAKAGE (TYPICAL)**



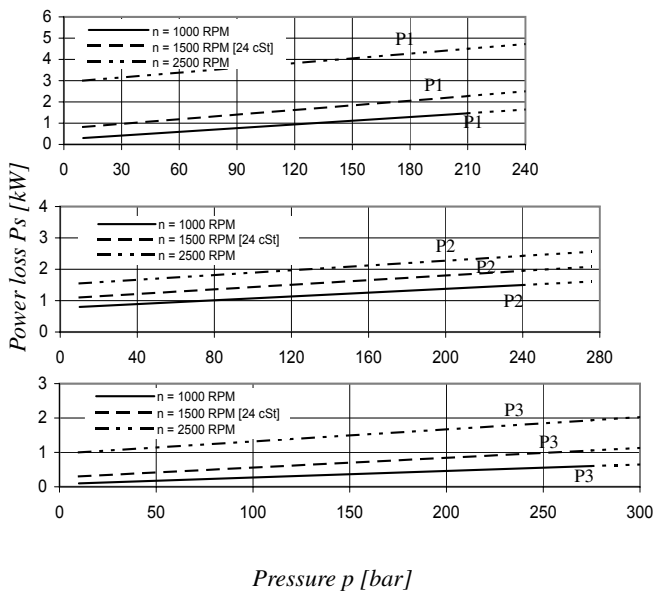
**NOISE LEVEL (TYPICAL) - T7DCB - B38 - 022 - B10**



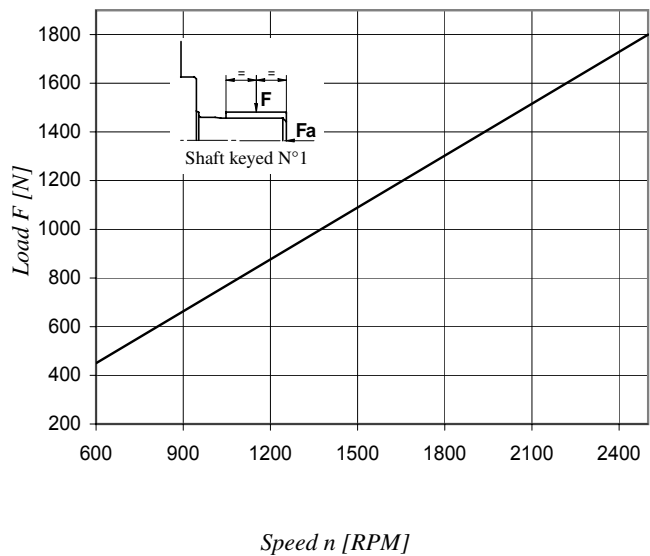
Do not operate pump more than 5 seconds at any speed or viscosity if internal leakage is higher than 50% of theoretical flow.  
 Total leakage is the sum of each section loss under its respective operating conditions.

Triple pump noise level is given with all stages discharging at the pressure value indicated on the curve.

**POWER LOSS HYDROMECHANICAL (TYPICAL)**



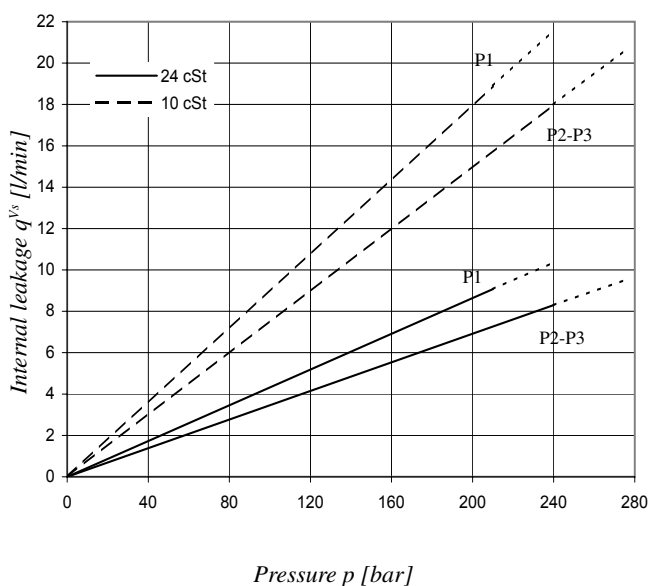
**PERMISSIBLE RADIAL LOAD**



Total hydromechanical power loss is the sum of each section loss under its respective operating conditions.

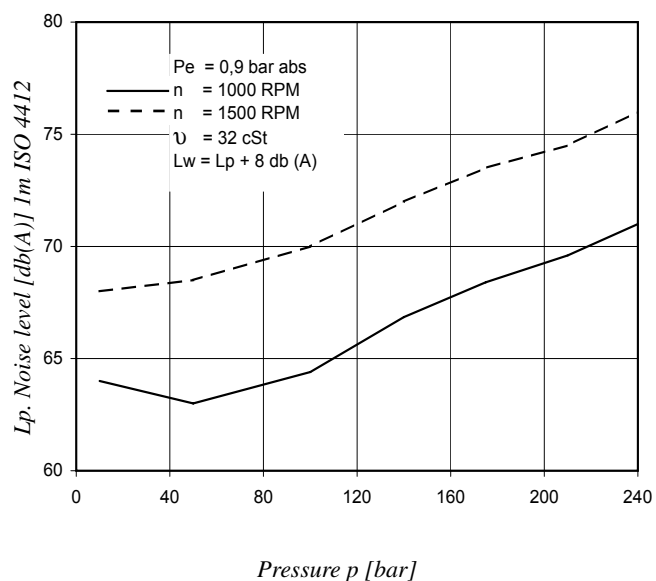
Maximum permissible axial load  $F_a = 800 \text{ N}$

**INTERNAL LEAKAGE (TYPICAL)**



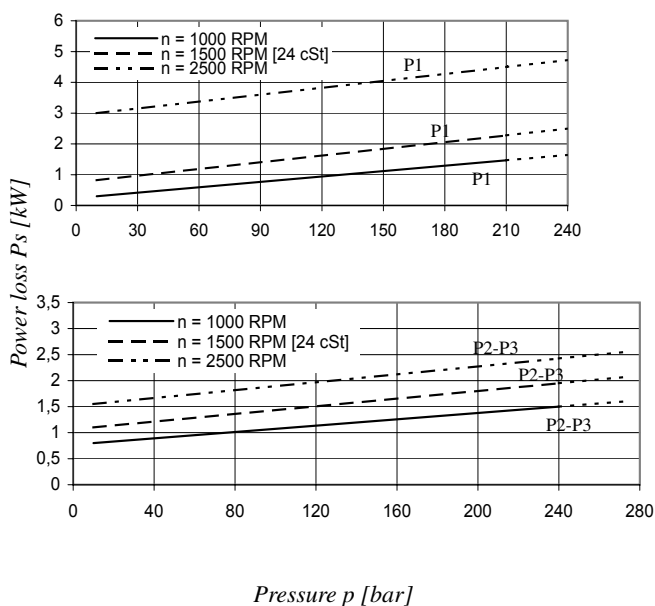
Do not operate pump more than 5 seconds at any speed or viscosity if internal leakage is higher than 50% of theoretical flow.  
 Total leakage is the sum of each section loss under its respective operating conditions.

**NOISE LEVEL (TYPICAL) - T7DCC - B31 - 022 - 022**



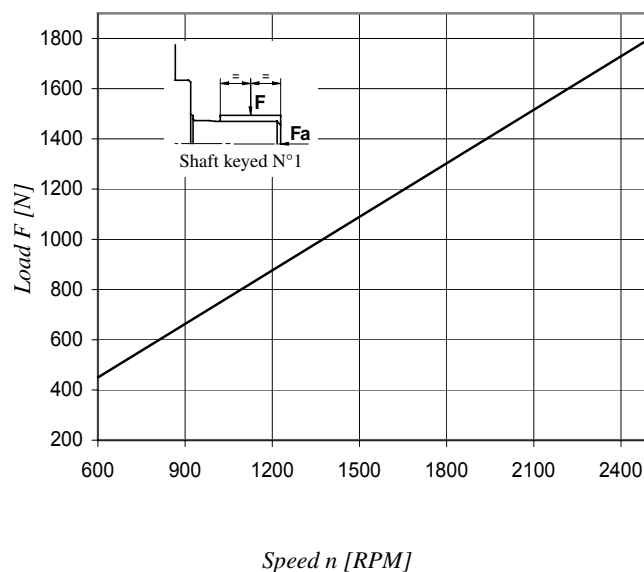
Triple pump noise level is given with all stages discharging at the pressure value indicated on the curve.

**POWER LOSS HYDROMECHANICAL (TYPICAL)**



Total hydromechanical power loss is the sum of each section loss under its respective operating conditions.

**PERMISSIBLE RADIAL LOAD**



Maximum permissible axial load  $F_a = 1200\text{ N}$

**Model No. T7DCC or T7DCCS - B38 - 028 - 010 - 5 R 00 - A 1 - M0 - ..**

**T7DCC series** - ISO 6 bolts 3019-2  
Mounting flange 125-A2-HW or 125-B4-HW

**T7DCCS series** - SAE C 6 bolts  
J744 mounting flange

**Displacement for "P1"**  
Volumetric displacement (ml/rev)  
B14 = 44,0 B31 = 99,2  
B17 = 55,0 B35 = 113,4  
B20 = 66,0 B38 = 120,6  
B22 = 70,3 B42 = 137,5  
B24 = 81,1 045 = 145,7  
B28 = 90,0 050 = 158,0

**Displacement for "P2" & P3**  
Volumetric displacement (ml/rev)  
003 = 10,8 017 = 58,3  
005 = 17,2 020 = 63,8  
006 = 21,3 022 = 70,3  
008 = 26,4 025 = 79,3  
010 = 34,1 028 = 88,8  
012 = 37,1 031 = 100,0  
014 = 46,0

**Type of shaft T7DCCS**  
1 = keyed (non SAE)  
2 = keyed (SAE CC)  
3 = splined 12/24 (SAE C)  
4 = splined 12/24 (SAE CC)

**Type of shaft T7DCC & T7DCCS**  
5 = keyed (ISO 3019/2 - G38M)

**Modifications**

**Mounting w/connection variables**  
4 bolts SAE flange J518

P1 = 1.1/4" - P2 = 1" - S = 4"		
	Metric thread	UNC thread
T7DCC-P3 = 3/4"	M1	
T7DCCS-P3 = 3/4"	M1	01
T7DCC-P3 = 1"	M0	
T7DCCS-P3 = 1"	M0	00

**Seal class**  
1 = S1 BUNA N - 0,7 bar max. (for mineral oil)  
4 = S4 EPDM - 7 bar max. (for fire resistant fluids)  
5 = S5 VITON® - 7 bar max. (for mineral oil and fire resistant fluids)

**Design letter**

**Porting combination (see pages 72 - 73)**  
00 = standard

**Direction of rotation (shaft end view)**  
R = Clockwise  
L = Counter-clockwise

**OPERATING CHARACTERISTICS - TYPICAL [24 cSt]**

Pressure port	Series	Vi Volumetric displacement	Flow q <sub>v</sub> [l/min] & n = 1500 RPM			Input power P [kW] & n = 1500 RPM		
			p = 0 bar	p = 140 bar	p = 250 bar	p = 7 bar	p = 140 bar	p = 250 bar
P1	B14	44,0 ml/rev	66,0	59,4	54,2	1,5	16,6	29,0
	B17	55,0 ml/rev	82,5	75,9	70,7	1,7	20,4	35,8
	B20	66,0 ml/rev	99,0	92,4	87,2	1,9	24,3	42,7
	B22	70,3 ml/rev	105,5	98,8	93,7	2,0	25,8	45,4
	B24	81,1 ml/rev	121,7	115,0	109,9	2,2	29,5	52,1
	B28	90,0 ml/rev	135,0	128,4	123,2	2,3	32,7	57,7
	B31	99,2 ml/rev	148,8	142,2	137,0	2,5	35,9	63,5
	B35	113,4 ml/rev	170,1	163,5	158,3	2,7	40,8	72,3
	B38	120,6 ml/rev	180,9	174,3	169,1	2,9	43,4	76,8
	B42	137,5 ml/rev	206,3	199,6	194,5	3,2	49,3	87,4
	045	145,7 ml/rev	218,6	209,2	202,6 <sup>1)</sup>	4,1	52,8	89,5 <sup>1)</sup>
	050	158,0 ml/rev	237,0	227,7	223,0 <sup>2)</sup>	4,4	57,1	85,0 <sup>2)</sup>
			p = 0 bar	p = 140 bar	p = 275 bar	p = 7 bar	p = 140 bar	p = 275 bar
P2 & P3	003	10,8 ml/rev	16,2	11,2	*	1,3	5,3	*
	005	17,2 ml/rev	25,8	20,8	16,1	1,4	7,5	13,9
	006	21,3 ml/rev	31,9	26,9	22,2	1,5	8,9	16,8
	008	26,4 ml/rev	39,6	34,6	29,9	1,6	10,7	20,3
	010	34,1 ml/rev	51,1	46,1	41,4	1,7	13,4	25,6
	012	37,1 ml/rev	55,6	50,6	45,9	1,7	14,4	27,6
	014	46,0 ml/rev	69,0	64,0	59,3	1,9	17,6	33,7
	017	58,3 ml/rev	87,4	82,4	77,7	2,1	21,9	42,2
	020	63,8 ml/rev	95,7	90,7	86,0	2,2	23,8	46,0
	022	70,3 ml/rev	105,4	100,4	95,7	2,3	26,1	50,4
	025	79,3 ml/rev	118,9	113,9	109,2	2,5	29,2	56,6
028	88,8 ml/rev	133,2	128,2	125,8 <sup>2)</sup>	2,8	32,7	48,5 <sup>2)</sup>	
031	100,0 ml/rev	150,0	145,0	142,6 <sup>2)</sup>	2,8	36,5	54,4 <sup>2)</sup>	

\* We do not recommend to use the size 003 in P2 and P3 at 275 bar & 1500 RPM as the internal leakage is over 50% of theoretical flow.

<sup>1)</sup> 045 = 240 bar max. int.    <sup>2)</sup> 050 - 028 - 031 = 210 bar max. int.



**Model No.**      **T7DDB or T7DDBS - 050 - B22 - B12 - 1 R 00 - A 1 - M0 - ..**

**T7DDB series** - ISO 6 bolts 3019-2  
Mounting flange 125-A2-HW

**P1    P2    P3**

**T7DDBS series** - SAE C 6 bolts  
J744 mounting flange

**Displacement for "P1" & "P2"**  
Volumetric displacement (ml/rev)  
B14 = 44,0    B31 = 99,2  
B17 = 55,0    B35 = 113,4  
B20 = 66,0    B38 = 120,6  
B22 = 70,3    B42 = 137,5  
B24 = 81,1    045 = 145,7  
B28 = 90,0    050 = 158,0

**Displacement for "P3"**  
Volumetric displacement (ml/rev)  
B02 = 5,8    B09 = 28,0  
B03 = 9,8    B10 = 31,8  
B04 = 12,8    B11 = 35,0  
B05 = 15,9    B12 = 41,0  
B06 = 19,8    B14 = 45,0  
B07 = 22,5    B15 = 50,0  
B08 = 24,9

**Type of shaft T7DDBS**  
1 = keyed (SAE C)  
2 = keyed (SAE CC)  
3 = splined 12/24 (SAE C) (14 teeth)  
4 = splined 12/24 (SAE CC) (17 teeth)

**Type of shaft T7DDB & T7DDBS**  
5 = keyed (ISO 3019/2 - G38M)

**Modifications**

**Mounting w/connection variables**  
4 bolts SAE flange J518

P1 & P2 = 1.1/4" - S = 4"		
	Metric thread	UNC thread
T7DDB-P3 = 1"	M0	
T7DDB-P3 = 3/4"	M1	
T7DDBS-P3 = 1"	M0	00
T7DDBS-P3 = 3/4"	M1	01

**Seal class**  
1 = S1 BUNA N - 0,7 bar max. (for mineral oil)  
4 = S4 EPDM - 7 bar max. (for fire resistant fluids)  
5 = S5 VITON® - 7 bar max. (for mineral oil and fire resistant fluids)

**Design letter**

**Porting combination (see pages 72 - 73)**  
00 = standard

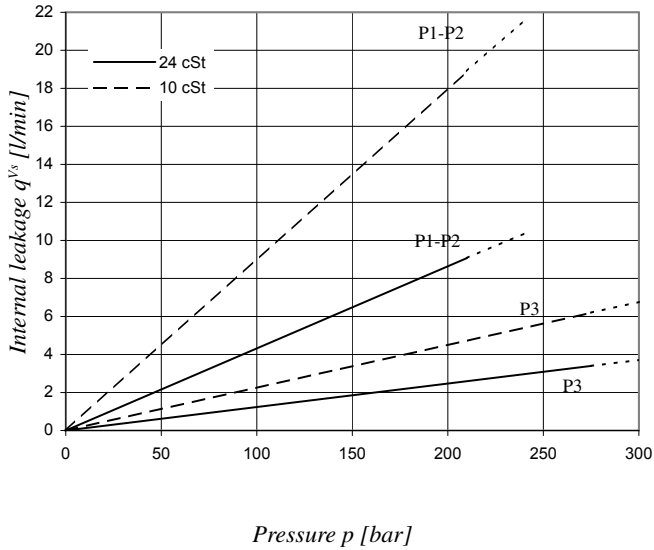
**Direction of rotation (shaft end view)**  
R = Clockwise  
L = Counter-clockwise

**OPERATING CHARACTERISTICS - TYPICAL [24 cSt]**

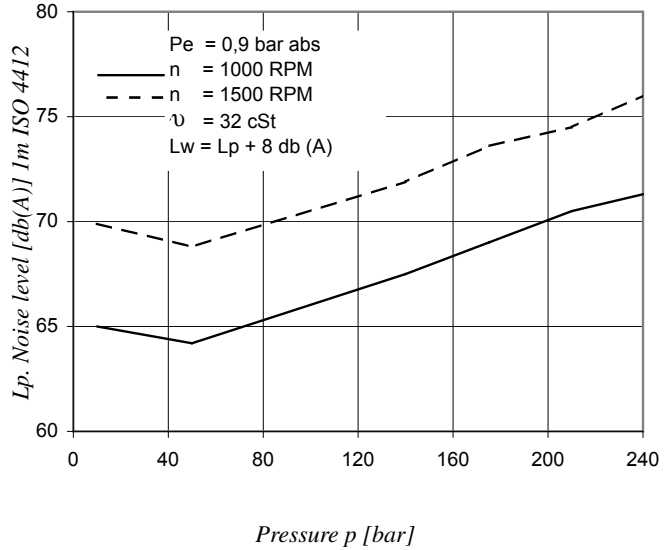
Pressure port	Series	Vi Volumetric displacement	Flow q <sub>v</sub> [l/min] & n = 1500 RPM			Input power P [kW] & n = 1500 RPM		
			p = 0 bar	p = 140 bar	p = 250 bar	p = 7 bar	p = 140 bar	p = 250 bar
P1 & P2	B14	44,0 ml/rev	66,0	59,4	54,2	1,5	16,6	29,0
	B17	55,0 ml/rev	82,5	75,9	70,7	1,7	20,4	35,8
	B20	66,0 ml/rev	99,0	92,4	87,2	1,9	24,3	42,7
	B22	70,3 ml/rev	105,5	98,8	93,7	2,0	25,8	45,4
	B24	81,1 ml/rev	121,7	115,0	109,9	2,2	29,5	52,1
	B28	90,0 ml/rev	135,0	128,4	123,2	2,3	32,7	57,7
	B31	99,2 ml/rev	148,8	142,2	137,0	2,5	35,9	63,5
	B35	113,4 ml/rev	170,1	163,5	158,3	2,7	40,8	72,3
	B38	120,6 ml/rev	180,9	174,3	169,1	2,9	43,4	76,8
	B42	137,5 ml/rev	206,3	199,6	194,5	3,2	49,3	87,4
	045	145,7 ml/rev	218,6	209,2	202,6 <sup>1)</sup>	4,1	52,8	89,5 <sup>1)</sup>
	050	158,0 ml/rev	237,0	227,7	223,0 <sup>2)</sup>	4,4	57,1	85,0 <sup>2)</sup>
			p = 0 bar	p = 140 bar	p = 300 bar	p = 7 bar	p = 140 bar	p = 300 bar
P3	B02	5,8 ml/rev	8,7	7,0	5,1	0,5	2,6	5,1
	B03	9,8 ml/rev	14,7	13,0	11,1	0,6	4,0	8,1
	B04	12,8 ml/rev	19,2	17,5	15,6	0,6	5,0	10,4
	B05	15,9 ml/rev	23,9	22,2	20,2	0,7	6,1	12,7
	B06	19,8 ml/rev	29,7	28,0	26,1	0,7	7,5	15,6
	B07	22,5 ml/rev	33,7	32,0	30,2	0,8	8,5	17,6
	B08	24,9 ml/rev	37,4	35,7	33,7	0,8	9,3	19,5
	B09	28,0 ml/rev	42,0	40,3	38,4	0,9	10,4	21,8
	B10	31,8 ml/rev	47,7	46,0	44,1	0,9	11,7	26,2
	B11	35,0 ml/rev	52,5	50,8	48,9	1,0	12,8	27,0
	B12	41,0 ml/rev	61,5	59,8	57,9	1,1	14,9	31,5
	B14	45,0 ml/rev	67,5	65,8	63,9	1,2	16,3	34,5
	B15	50,0 ml/rev	75,0	73,3	71,6 <sup>3)</sup>	1,3	18,1	35,7 <sup>3)</sup>

<sup>1)</sup> 045 = 240 bar max. int.    <sup>2)</sup> 050 = 210 bar max. int.    <sup>3)</sup> B15 = 280 bar max. int.

**INTERNAL LEAKAGE (TYPICAL)**



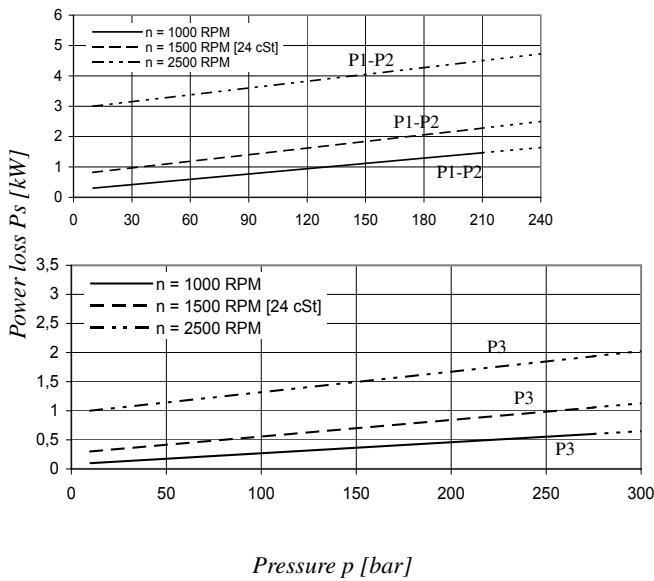
**NOISE LEVEL (TYPICAL) - T7DDB - B31 - B31 - B10**



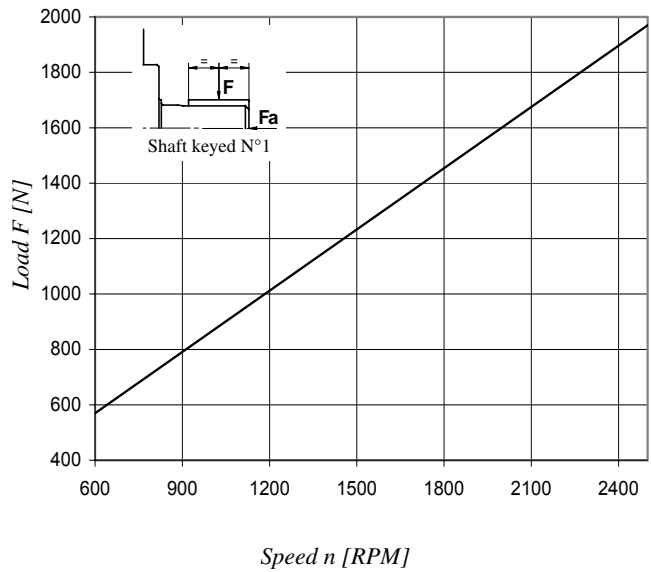
Do not operate pump more than 5 seconds at any speed or viscosity if internal leakage is higher than 50% of theoretical flow. Total leakage is the sum of each section loss under its respective operating conditions.

Triple pump noise level is given with all stages discharging at the pressure value indicated on the curve.

**POWER LOSS HYDROMECHANICAL (TYPICAL)**

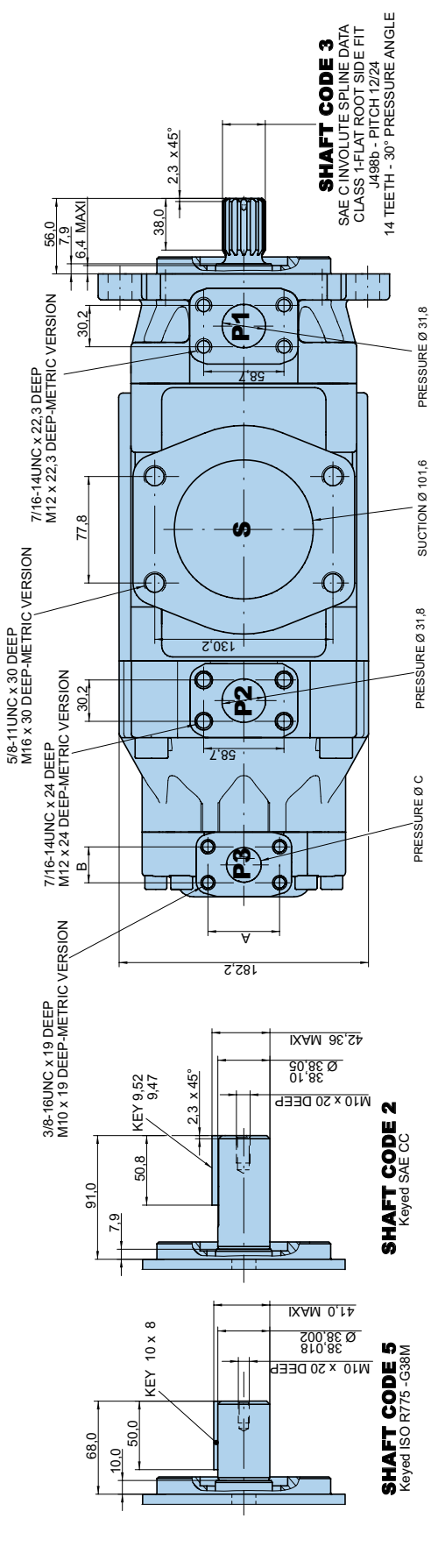
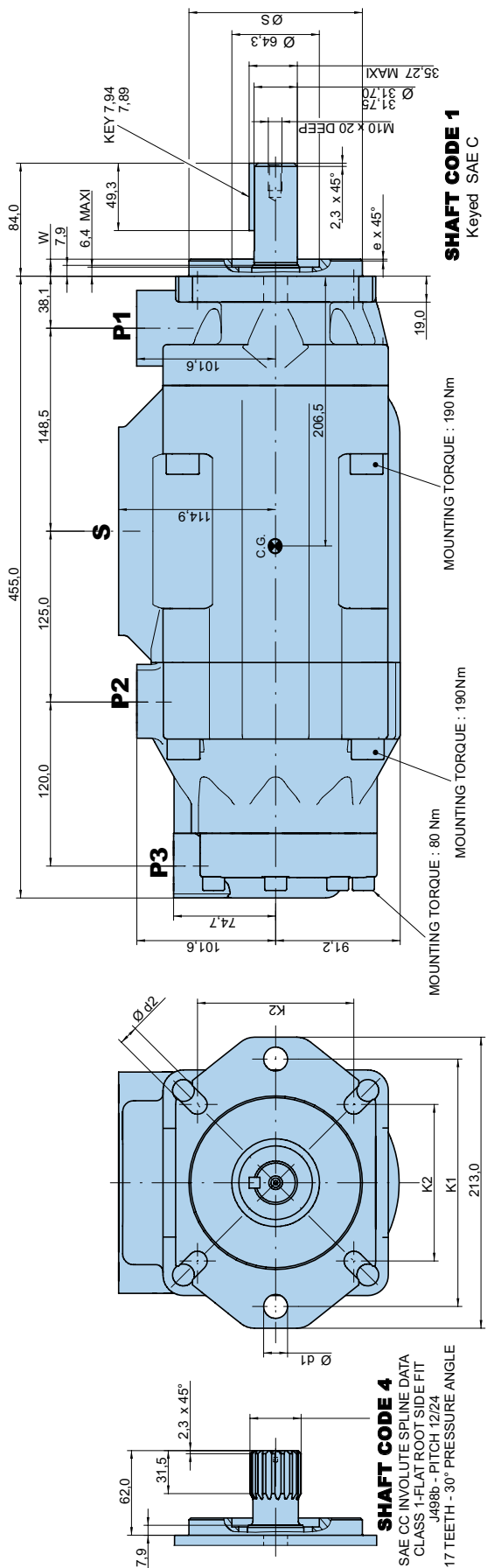


**PERMISSIBLE RADIAL LOAD**



Total hydromechanical power loss is the sum of each section loss under its respective operating conditions.

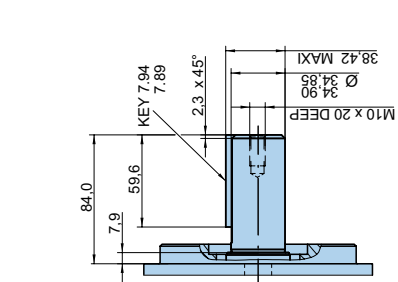
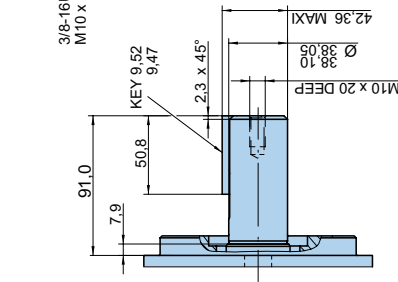
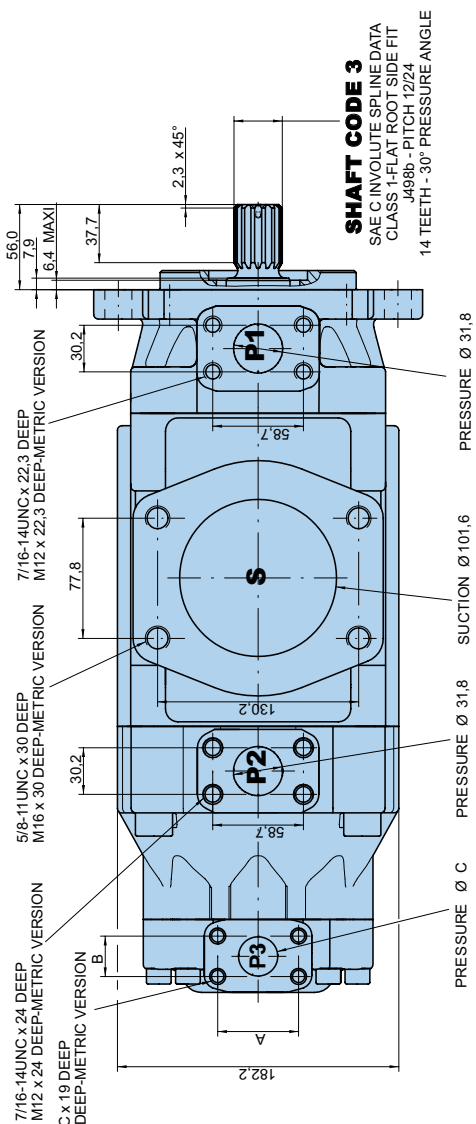
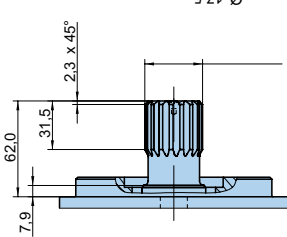
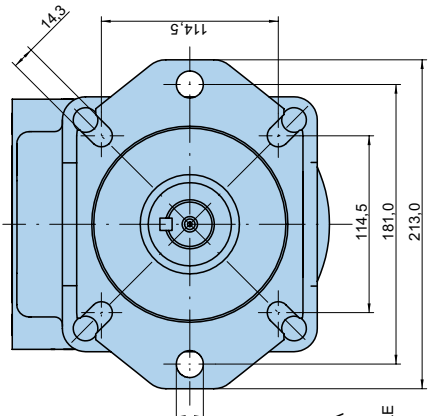
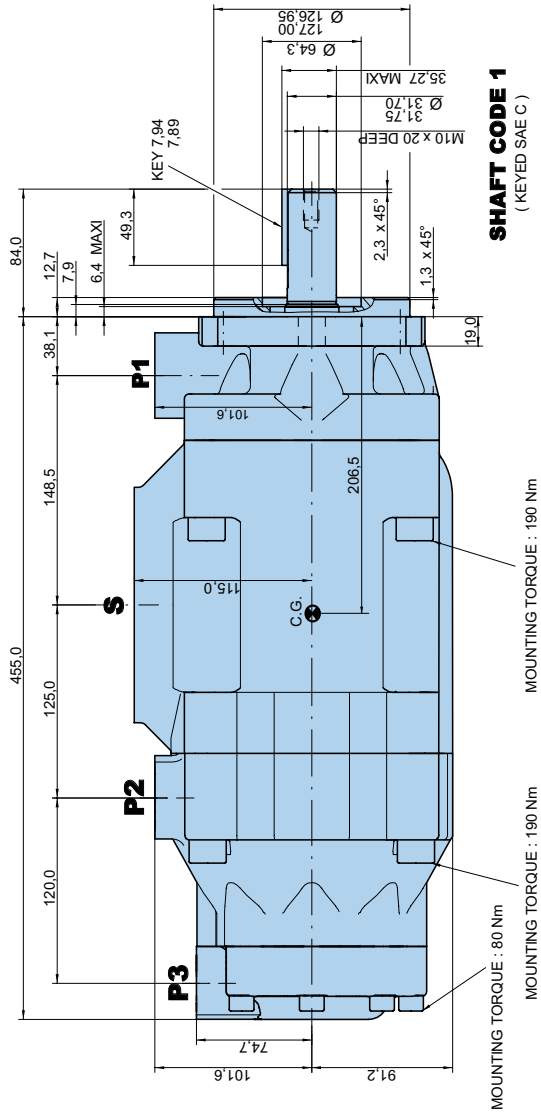
Maximum permissible axial load  $F_a = 1200\text{ N}$



Alternate connect. variables	
<b>00 &amp; M0</b>	<b>01 &amp; M1</b>
A	52,4
B	26,2
C	25,4
	47,6
	22,2
	19,0

Series	Alternate mounting flange							
	Dia S	e x 45°	W	K1	K2	Dia d2		
<b>T7DDB</b>	Max. 125,000	Min. 124,937	2,0	9,5	180,0	18,0	113,14	14,0
<b>T7DDBS</b>	127,000	126,950	1,5	12,7	181,0	17,5	114,50	14,3

Shaft torque limits [ml/rev. x bar]	
<b>Shaft Vi x p max. P1 + P2 + P3</b>	<b>Shaft Vi x p max. P1 + P2 + P3</b>
1	4
2	5
3	6
43240	66500
72306	53100
61200	



Alternate connect. variables	
	00 & M0 01 & M1
A	52,4 47,6
B	26,2 22,2
C	25,4 19,0

Shaft torque limits [ml/rev. x bar]	
Shaft Vi x p max. P1 + P2 + P3	Shaft Vi x p max. P1 + P2 + P3
1	43240 66500
2	72306 55600
3	61200

**Model No.**

**T67DDCS - 050 - B35 - B08 - 1 R 00 - A 1 - M0 - ..**

Series - SAE C 6 bolts  
J744 mounting flange

P1 P2 P3

**Modifications**

**Mounting w/connection variables**  
4 bolts SAE flange J518

**Displacement for "P1" & "P2"**

Volumetric displacement (ml/rev)

B14 = 44,0    B31 = 99,2  
B17 = 55,0    B35 = 113,4  
B20 = 66,0    B38 = 120,6  
B22 = 70,3    B42 = 137,5  
B24 = 81,1    045 = 145,7  
B28 = 90,0    050 = 158,0

P1 & P2 = 1.1/4" - S = 4"				
	Metric thread		UNC thread	
P3	1"	3/4"	1"	3/4"
Code	M0	M1	00	01

**Displacement for "P3"**

Volumetric displacement (ml/rev)

003 = 10,8    017 = 58,3  
005 = 17,2    020 = 63,8  
006 = 21,3    022 = 70,3  
008 = 26,4    025 = 79,3  
010 = 34,1    028 = 88,8  
012 = 37,1    031 = 100,0  
014 = 46,0

**Seal class**

1 = S1 BUNA N - 0,7 bar max. (for mineral oil)  
4 = S4 EPDM - 7 bar max. (for fire resistant fluids)  
5 = S5 VITON® - 7 bar max. (for mineral oil and fire resistant fluids)

**Design letter**

**Porting combination (see pages 72 - 73)**  
00 = standard

**Direction of rotation (shaft end view)**

R = Clockwise  
L = Counter-clockwise

**Type of shaft**

1 = keyed (SAE C)  
2 = keyed (SAE CC)  
3 = splined 12/24 (SAE C) (14 teeth)  
4 = splined 12/24 (SAE CC) (17 teeth)  
5 = keyed (non SAE)

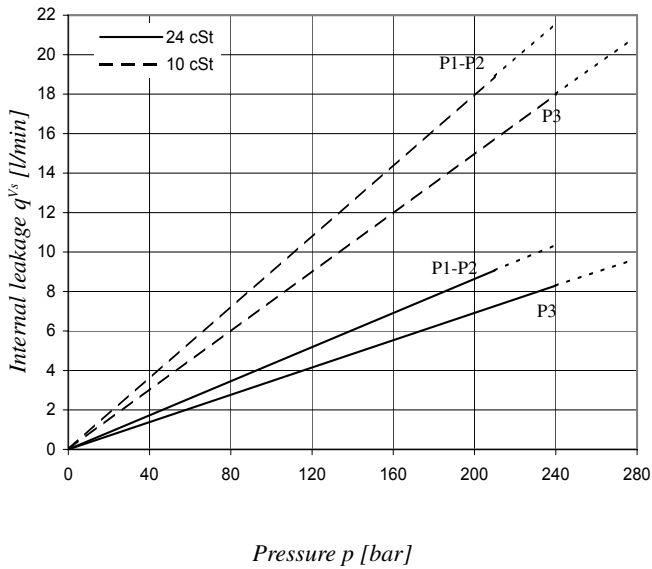
**OPERATING CHARACTERISTICS - TYPICAL [24 cSt]**

Pressure port	Series	Vi Volumetric displacement	Flow q <sub>v</sub> [l/min] & n = 1500 RPM			Input power P [kW] & n = 1500 RPM		
			p = 0 bar	p = 140 bar	p = 250 bar	p = 7 bar	p = 140 bar	p = 250 bar
P1 & P2	B14	44,0 ml/rev	66,0	59,4	54,2	1,5	16,6	29,0
	B17	55,0 ml/rev	82,5	75,9	70,7	1,7	20,4	35,8
	B20	66,0 ml/rev	99,0	92,4	87,2	1,9	24,3	42,7
	B22	70,3 ml/rev	105,5	98,8	93,7	2,0	25,8	45,4
	B24	81,1 ml/rev	121,7	115,0	109,9	2,2	29,5	52,1
	B28	90,0 ml/rev	135,0	128,4	123,2	2,3	32,7	57,7
	B31	99,2 ml/rev	148,8	142,2	137,0	2,5	35,9	63,5
	B35	113,4 ml/rev	170,1	163,5	158,3	2,7	40,8	72,3
	B38	120,6 ml/rev	180,9	174,3	169,1	2,9	43,4	76,8
	B42	137,5 ml/rev	206,3	199,6	194,5	3,2	49,3	87,4
	045	145,7 ml/rev	218,6	209,2	202,6 <sup>1)</sup>	4,1	52,8	89,5 <sup>1)</sup>
	050	158,0 ml/rev	237,0	227,7	223,0 <sup>2)</sup>	4,4	57,1	85,0 <sup>2)</sup>
			p = 0 bar	p = 140 bar	p = 275 bar	p = 7 bar	p = 140 bar	p = 275 bar
P3	003	10,8 ml/rev	16,2	11,2	*	1,3	5,3	*
	005	17,2 ml/rev	25,8	20,8	16,1	1,4	7,5	13,9
	006	21,3 ml/rev	31,9	26,9	22,2	1,5	8,9	16,8
	008	26,4 ml/rev	39,6	34,6	29,9	1,6	10,7	20,3
	010	34,1 ml/rev	51,1	46,1	41,4	1,7	13,4	25,6
	012	37,1 ml/rev	55,6	50,6	45,9	1,7	14,4	27,6
	014	46,0 ml/rev	69,0	64,0	59,3	1,9	17,6	33,7
	017	58,3 ml/rev	87,4	82,4	77,7	2,1	21,9	42,2
	020	63,8 ml/rev	95,7	90,7	86,0	2,2	23,8	46,0
	022	70,3 ml/rev	105,4	100,4	95,7	2,3	26,1	50,4
	025	79,3 ml/rev	118,9	113,9	109,2	2,5	29,2	56,6
	028	88,8 ml/rev	133,2	128,2	125,8 <sup>2)</sup>	2,8	32,7	48,5 <sup>2)</sup>
	031	100,0 ml/rev	150,0	145,0	142,6 <sup>2)</sup>	2,8	36,5	54,4 <sup>2)</sup>

\* We do not recommend to use the size 003 in P3 at 275 bar & 1500 RPM as the internal leakage is over 50% of theoretical flow.

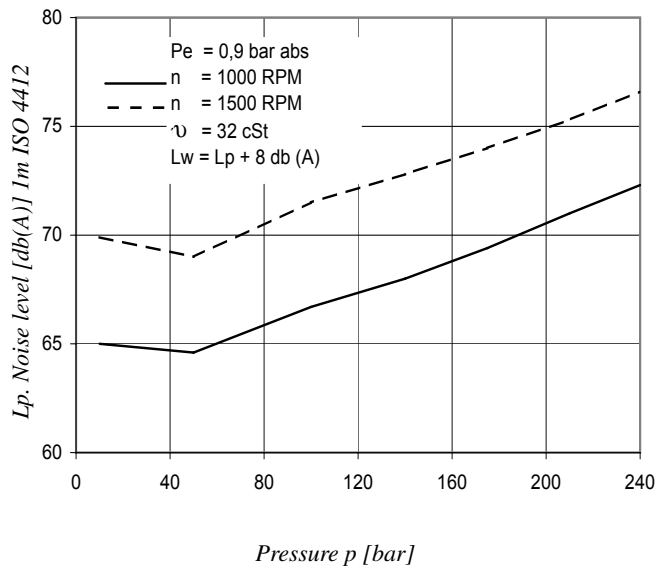
<sup>1)</sup> 045 = 240 bar max. int.    <sup>2)</sup> 050 - 028 - 031 = 210 bar max. int.

**INTERNAL LEAKAGE (TYPICAL)**



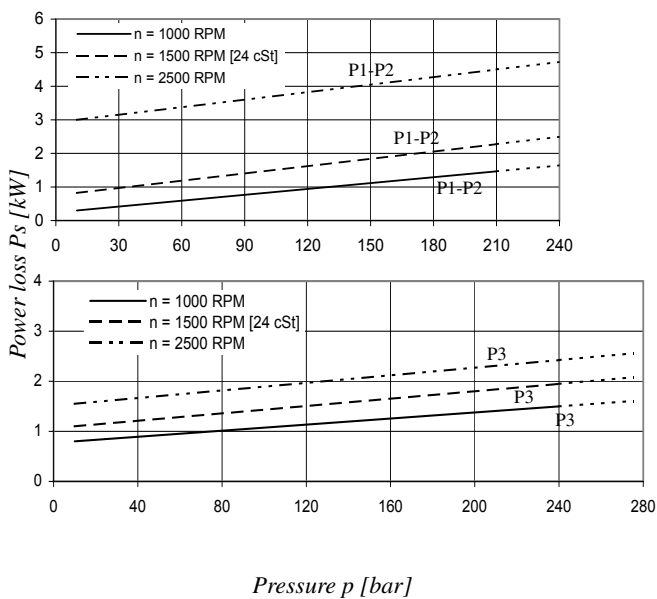
Do not operate pump more than 5 seconds at any speed or viscosity if internal leakage is higher than 50% of theoretical flow.  
 Total leakage is the sum of each section loss under its respective operating conditions.

**NOISE LEVEL (TYPICAL) - T67DDCS - B31 - B31 - 022**



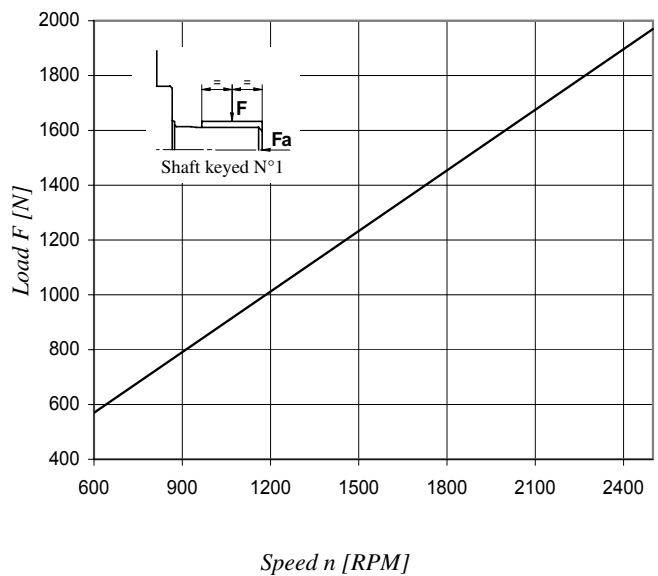
Triple pump noise level is given with all stages discharging at the pressure value indicated on the curve.

**POWER LOSS HYDROMECHANICAL (TYPICAL)**

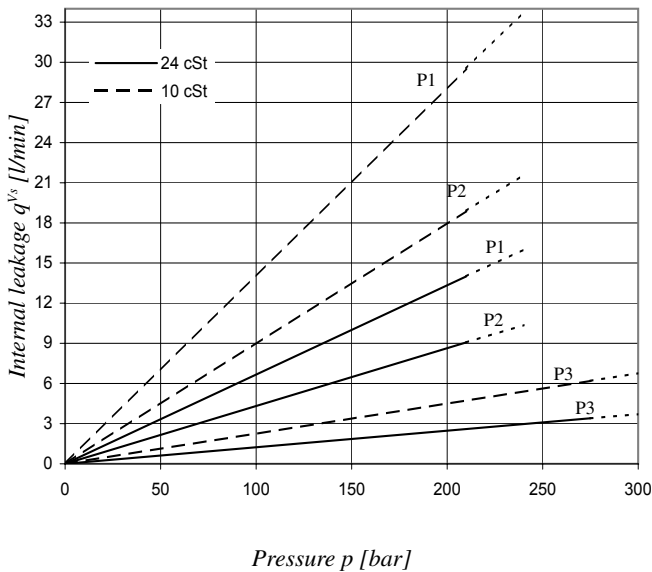


Total hydromechanical power loss is the sum of each section loss under its respective operating conditions.

**PERMISSIBLE RADIAL LOAD**

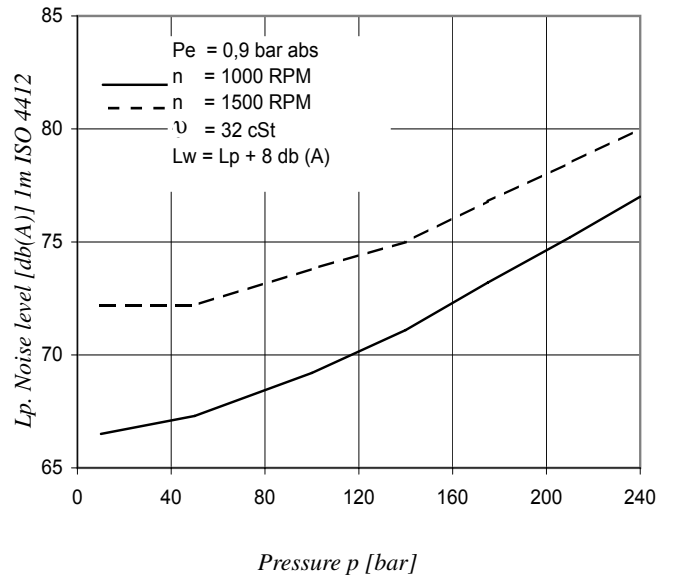


**INTERNAL LEAKAGE (TYPICAL)**



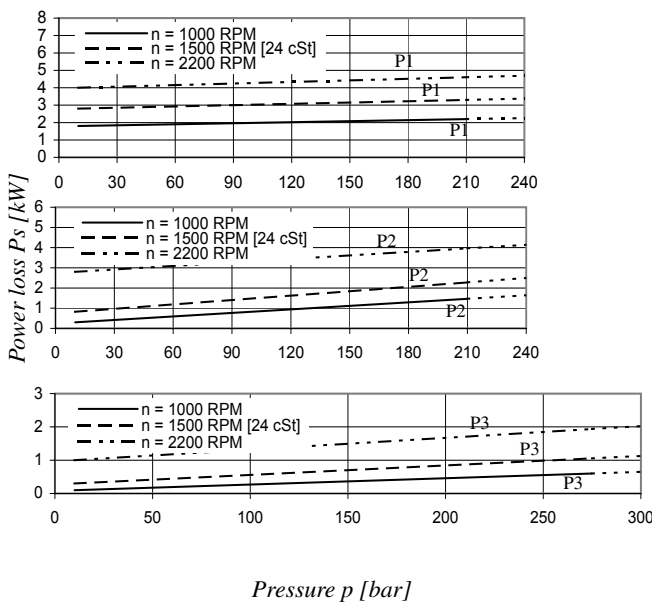
Do not operate pump more than 5 seconds at any speed or viscosity if internal leakage is higher than 50% of theoretical flow.  
 Total leakage is the sum of each section loss under its respective operating conditions.

**NOISE LEVEL (TYPICAL) - T7EDB - 062 - B35 - B04**



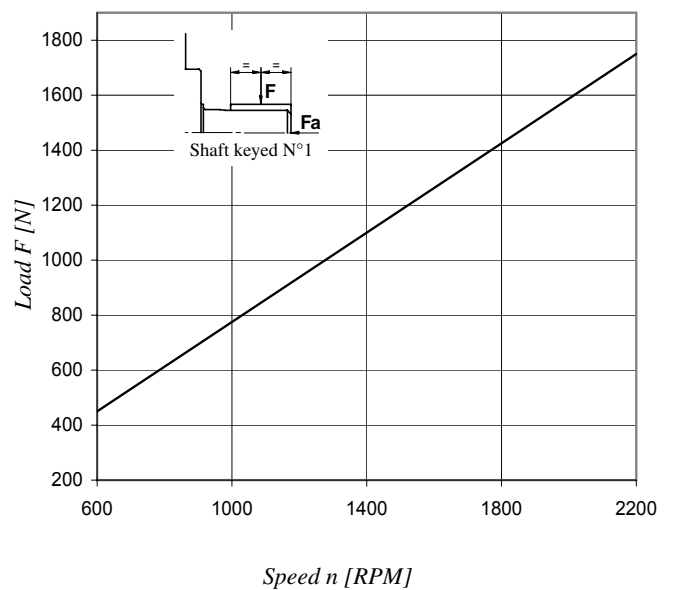
Triple pump noise level is given with all stages discharging at the pressure value indicated on the curve.

**POWER LOSS HYDROMECHANICAL (TYPICAL)**



Total hydromechanical power loss is the sum of each section loss under its respective operating conditions.

**PERMISSIBLE RADIAL LOAD**



Maximum permissible axial load  $F_a = 2000\text{ N}$

**Model No.** **T7EDB or T7EDBS - 062 - B35 - B10 - 1 R 00 - A 1 - 01 - ..**

**T7EDB series - ISO 4 bolts 3019-2**

Mounting flange 250-B4-HW

**T7EDBS series - SAE E 4 bolts**

J744 mounting flange

**Displacement for "P1"**

Volumetric displacement (ml/rev)

042 = 132,3 054 = 171,0 066 = 213,3

045 = 142,4 057 = 183,3 072 = 227,1

050 = 158,5 062 = 196,7 085 = 268,7

052 = 164,8

**Displacement for "P2"**

Volumetric displacement (ml/rev)

B14 = 44,0 B24 = 81,1 B38 = 120,6

B17 = 55,0 B28 = 90,0 B42 = 137,5

B20 = 66,0 B31 = 99,2 045 = 145,7

B22 = 70,3 B35 = 113,4 050 = 158,0

**Displacement for "P3"**

Volumetric displacement (ml/rev)

B02 = 5,8 B07 = 22,5 B11 = 35,0

B03 = 9,8 B08 = 24,9 B12 = 41,0

B04 = 12,8 B09 = 28,0 B14 = 45,0

B05 = 15,9 B10 = 31,8 B15 = 50,0

B06 = 19,8

**Modifications**

**Mounting w/connection variables**

4 bolts SAE flange J518

P1 = 1.1/2" - P2 = 1.1/4" - S = 4"		
	Metric thread	UNC thread
T7EDB-P3 = 1"	M0	
T7EDB-P3 = 3/4"	M1	
T7EDBS-P3 = 1"	M0	00
T7EDBS-P3 = 3/4"	M1	01

**Seal class**

1 = S1 BUNA N - 0,7 bar max. (for mineral oil)

4 = S4 EPDM - 7 bar max. (for fire resistant fluids)

5 = S5 VITON® - 7 bar max. (for mineral oil and fire resistant fluids)

**Design letter**

**Porting combination (see pages 72 - 73)**

00 = standard

**Direction of rotation (shaft end view)**

R = Clockwise L = Counter-clockwise

**Type of shaft T7EDB**

1 = keyed (ISO 3019/2 - G45N)

**Type of shaft T7EDBS**

2 = keyed (SAE D & E)

3 = splined 8/16 (SAE D & E) (13 teeth)

**OPERATING CHARACTERISTICS - TYPICAL [24 cSt]**

Pressure port	Series	Vi Volumetric displacement	Flow q <sub>v</sub> [l/min] & n = 1500 RPM			Input power P [kW] & n = 1500 RPM		
			p = 0 bar	p = 140 bar	p = 240 bar	p = 7 bar	p = 140 bar	p = 240 bar
P1	042	132,3 ml/rev	198,5	188,5	181,3	5,2	49,4	82,6
	045	142,4 ml/rev	213,6	203,6	196,5	5,4	52,9	88,7
	050	158,5 ml/rev	237,7	227,7	220,6	5,7	58,5	98,3
	052	164,8 ml/rev	247,2	237,2	230,1	5,8	60,8	102,1
	054	171,0 ml/rev	256,5	246,5	239,4	5,9	63,0	105,8
	057	183,3 ml/rev	275,0	265,0	257,9	6,1	67,3	113,2
	062	196,7 ml/rev	295,0	285,0	277,9	6,4	71,9	121,3
	066	213,3 ml/rev	319,9	309,0	302,8	6,7	77,7	131,2
	072	227,1 ml/rev	340,6	330,6	323,5	6,9	82,6	139,5
	085	268,7 ml/rev	403,0	392,0 <sup>1)</sup>	-	9,1	65,8 <sup>1)</sup>	-
			p = 0 bar	p = 140 bar	p = 250 bar	p = 7 bar	p = 140 bar	p = 250 bar
P2	B14	44,0 ml/rev	66,0	59,4	54,2	1,5	16,6	29,0
	B17	55,0 ml/rev	82,5	75,9	70,7	1,7	20,4	35,8
	B20	66,0 ml/rev	99,0	92,4	87,2	1,9	24,3	42,7
	B22	70,3 ml/rev	105,5	98,8	93,7	2,0	25,8	45,4
	B24	81,1 ml/rev	121,7	115,0	109,9	2,2	29,5	52,1
	B28	90,0 ml/rev	135,0	128,4	123,2	2,3	32,7	57,7
	B31	99,2 ml/rev	148,8	142,2	137,0	2,5	35,9	63,5
	B35	113,4 ml/rev	170,1	163,5	158,3	2,7	40,8	72,3
	B38	120,6 ml/rev	180,9	174,3	169,1	2,9	43,4	76,8
	B42	137,5 ml/rev	206,3	199,6	194,5	3,2	49,3	87,4
	045	145,7 ml/rev	218,6	209,2	202,6 <sup>3)</sup>	4,1	52,8	89,5 <sup>3)</sup>
	050	158,0 ml/rev	237,0	227,7	223,0 <sup>2)</sup>	4,4	57,1	85,0 <sup>2)</sup>
			p = 0 bar	p = 140 bar	p = 300 bar	p = 7 bar	p = 140 bar	p = 300 bar
P3	B02	5,8 ml/rev	8,7	7,0	5,1	0,5	2,6	5,1
	B03	9,8 ml/rev	14,7	13,0	11,1	0,6	4,0	8,1
	B04	12,8 ml/rev	19,2	17,5	15,6	0,6	5,0	10,4
	B05	15,9 ml/rev	23,9	22,2	20,2	0,7	6,1	12,7
	B06	19,8 ml/rev	29,7	28,0	26,1	0,7	7,5	15,6
	B07	22,5 ml/rev	33,7	32,0	30,2	0,8	8,5	17,6
	B08	24,9 ml/rev	37,4	35,7	33,7	0,8	9,3	19,5
	B09	28,0 ml/rev	42,0	40,3	38,4	0,9	10,4	21,8
	B10	31,8 ml/rev	47,7	46,0	44,1	0,9	11,7	26,2
	B11	35,0 ml/rev	52,5	50,8	48,9	1,0	12,8	27,0
	B12	41,0 ml/rev	61,5	59,8	57,9	1,1	14,9	31,5
	B14	45,0 ml/rev	67,5	65,8	63,9	1,2	16,3	34,5
	B15	50,0 ml/rev	75,0	73,3	71,6 <sup>4)</sup>	1,3	18,1	35,7 <sup>4)</sup>

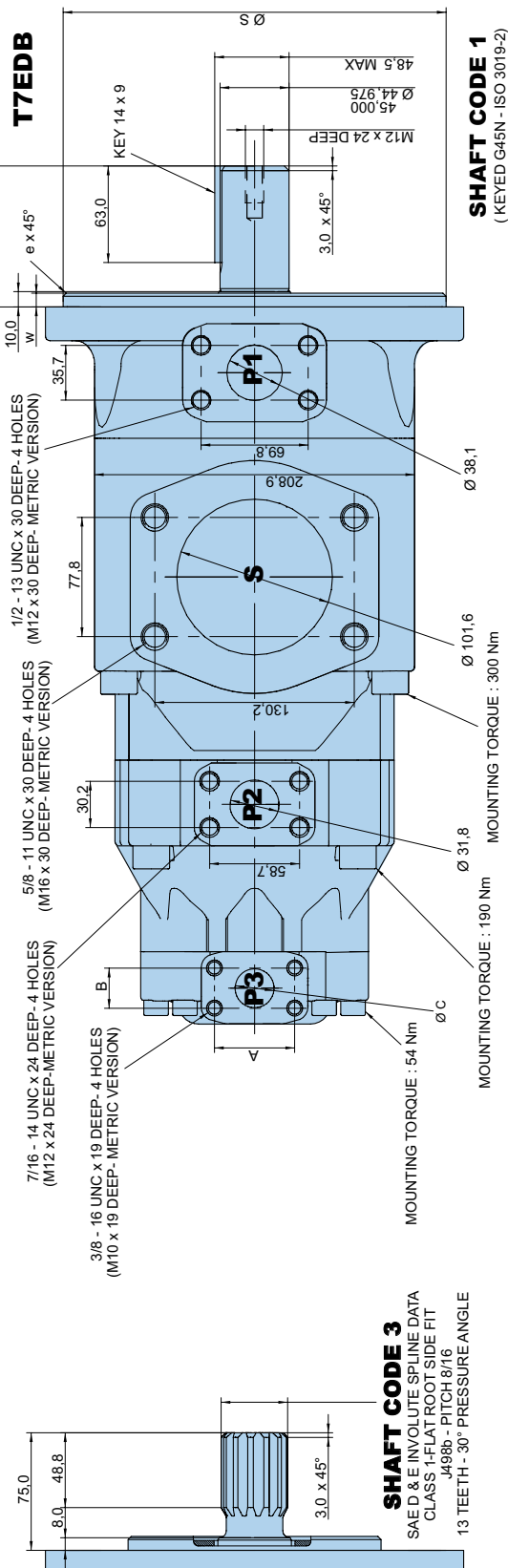
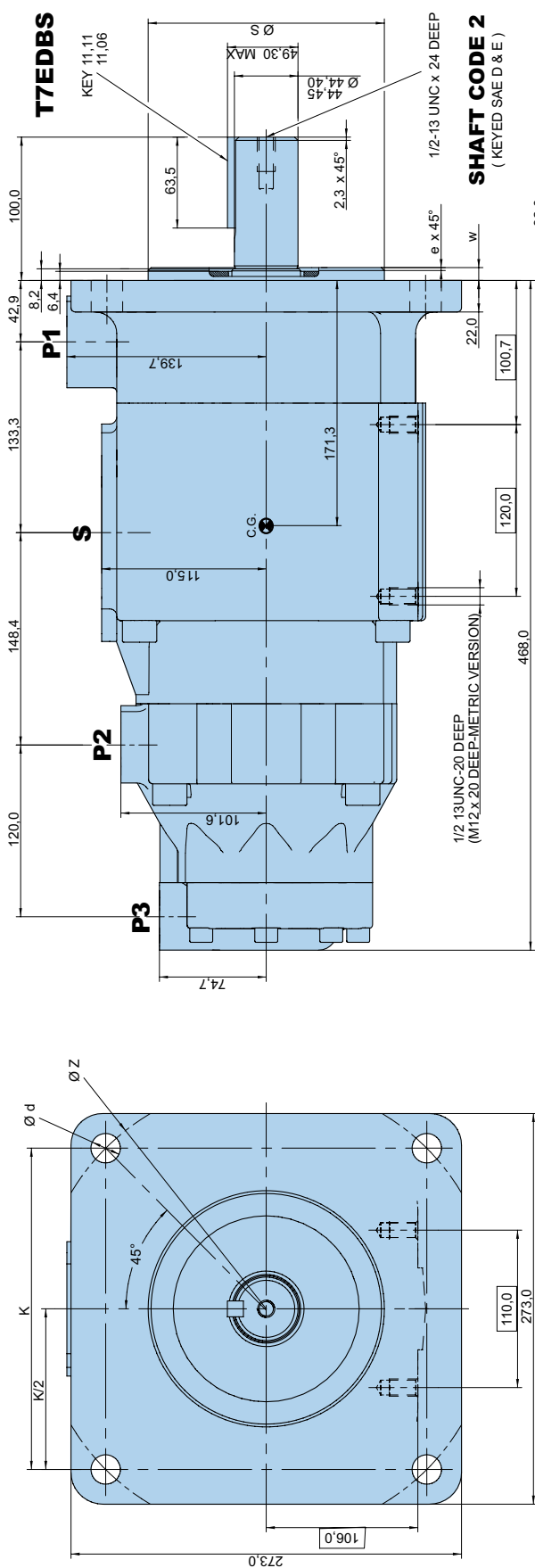
<sup>1)</sup> 085 = 90 bar max. int.

<sup>2)</sup> 050 = 210 bar max. int.

<sup>3)</sup> 045 = 240 bar max. int.

<sup>4)</sup> B15 = 280 bar max. int.



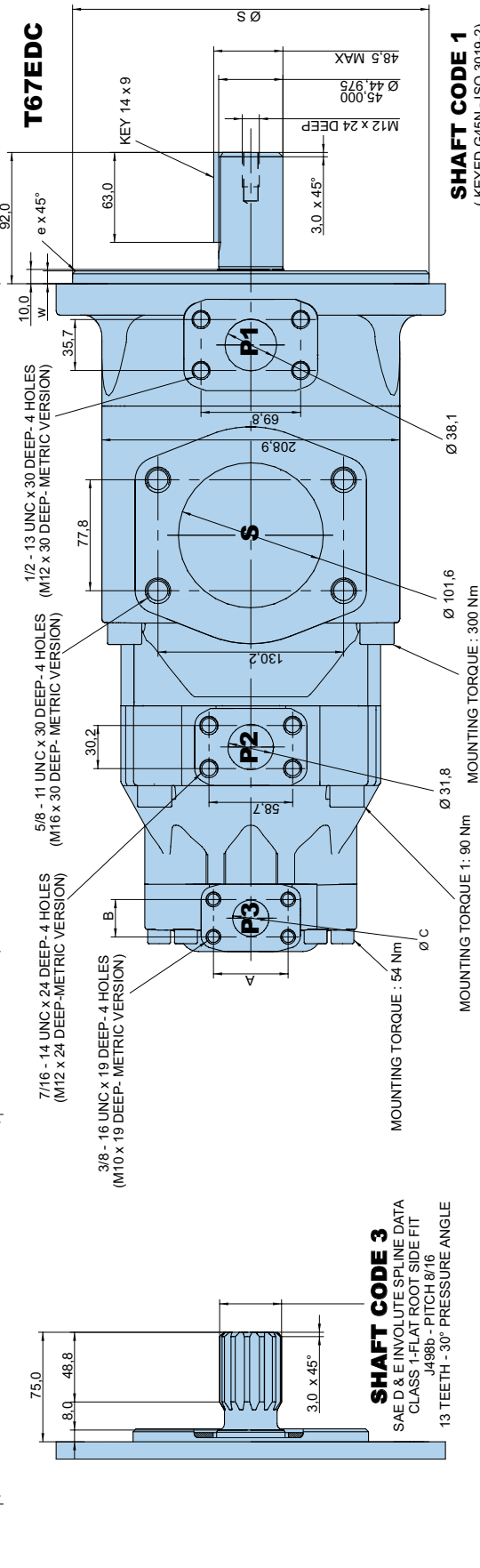
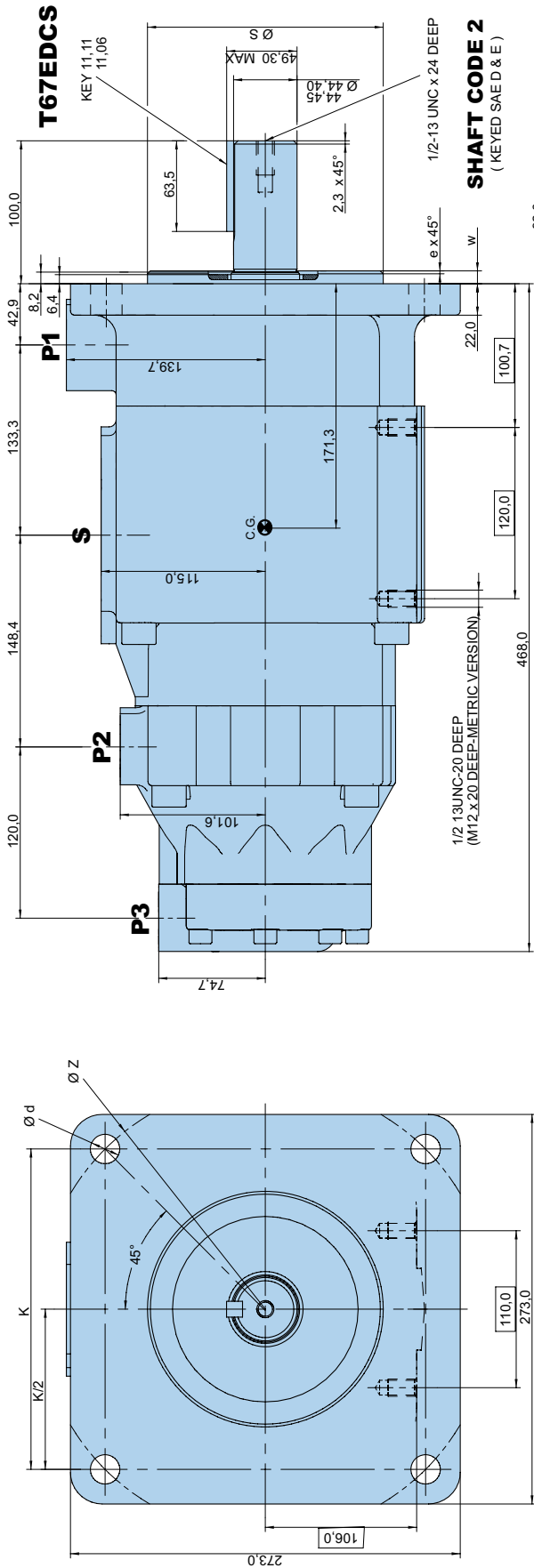


Alternate connect. variables	
	00 & M0 01 & M1
A	52,4 47,6
B	26,2 22,2
C	25,4 19,0

Series	Alternate mounting flange					
	Dia S	e x 45°	W	K	Dia Z	Dia d
T7EDB	Max. 250,000	2,0	9,0	-	315	22,0
T7EDBS	165,100	165,050	2,0	9,0	224,5	-

Shaft torque limits [ml/rev. x bar]	
Shaft	Vi x p max. P1 + P2 + P3
1	114600
2	118340
3	126800





Alternate connect. variables	
	<b>00</b>
<b>A</b>	52,4
<b>B</b>	26,2
<b>C</b>	25,4
	<b>01</b>
	47,6
	22,2
	19,0

Series	Dia S		e x 45°	W	K	Dia Z	Dia d
	Max.	Min.					
<b>T67EDC</b>	250,000	249,928	2,0	9,0	-	315	22,0
<b>T67EDCS</b>	165,100	165,050	2,0	9,0	224,5	-	20,6

Shaft torque limits [ml/rev. x bar]	
Shaft	V1 x p max. P1 + P2 + P3
1	114600
2	118340
3	126800

**Model No. T67EDC or T67EDCS - 062 - B35 - 010 - 1 R 00 - A 1 - M1 - ..**

T67EDC series - ISO 4 bolts 3019-2

Mounting flange 250-B4-HW

T67EDCS series - SAE E 4 bolts

J744 mounting flange

P1 P2 P3

Modifications

Mounting w/connection variables

4 bolts SAE flange J518

P1 = 1.1/2" - P2 = 1.1/4" - S = 4"		
	Metric thread	UNC thread
T67EDC-P3 = 1"	M0	
T67EDC-P3 = 3/4"	M1	
T67EDCS-P3 = 1"	M0	00
T67EDCS-P3 = 3/4"	M1	01

**Displacement for "P1"**

Volumetric displacement (ml/rev)

042 = 132,3 054 = 171,0 066 = 213,3

045 = 142,4 057 = 183,3 072 = 227,1

050 = 158,5 062 = 196,7 085 = 268,7

052 = 164,8

**Displacement for "P2"**

Volumetric displacement (ml/rev)

B14 = 44,0 B24 = 81,1 B38 = 120,6

B17 = 55,0 B28 = 90,0 B42 = 137,5

B20 = 66,0 B31 = 99,2 045 = 145,7

B22 = 70,3 B35 = 113,4 050 = 158,0

**Displacement for "P3"**

Volumetric displacement (ml/rev)

003 = 10,8 012 = 37,1 022 = 70,3

005 = 17,2 014 = 46,0 025 = 79,3

006 = 21,3 017 = 58,3 028 = 88,8

008 = 26,4 020 = 63,8 031 = 100,0

010 = 34,1

Seal class

1 = S1 BUNA N - 0,7 bar max. (for mineral oil)

4 = S4 EPDM - 7 bar max. (for fire resistant fluids)

5 = S5 VITON® - 7 bar max. (for mineral oil and fire resistant fluids)

Design letter

Porting combination (see pages 72 - 73)

00 = standard

Direction of rotation (shaft end view)

R = Clockwise L = Counter-clockwise

Type of shaft T67EDC

1 = keyed (ISO 3019/2 - G45N)

Type of shaft T67EDCS

2 = keyed (SAE D & E)

3 = splined 8/16 (SAE D & E) (13 teeth)

**OPERATING CHARACTERISTICS - TYPICAL [24 cSt]**

Pressure port	Series	Vi Volumetric displacement	Flow q <sub>v</sub> [l/min] & n = 1500 RPM			Input power P [kW] & n = 1500 RPM		
			p = 0 bar	p = 140 bar	p = 240 bar	p = 7 bar	p = 140 bar	p = 240 bar
P1	042	132,3 ml/rev	198,5	188,5	181,3	5,2	49,4	82,6
	045	142,4 ml/rev	213,6	203,6	196,5	5,4	52,9	88,7
	050	158,5 ml/rev	237,7	227,7	220,6	5,7	58,5	98,3
	052	164,8 ml/rev	247,2	237,2	230,1	5,8	60,8	102,1
	054	171,0 ml/rev	256,5	246,5	239,4	5,9	63,0	105,8
	057	183,3 ml/rev	275,0	265,0	257,9	6,1	67,3	113,2
	062	196,7 ml/rev	295,0	285,0	277,9	6,4	71,9	121,3
	066	213,3 ml/rev	319,9	309,0	302,8	6,7	77,7	131,2
	072	227,1 ml/rev	340,6	330,6	323,5	6,9	82,6	139,5
	085	268,7 ml/rev	403,0	392,0 <sup>2)</sup>	-	9,1	65,8 <sup>2)</sup>	-
P2			p = 0 bar	p = 140 bar	p = 250 bar	p = 7 bar	p = 140 bar	p = 250 bar
	B14	44,0 ml/rev	66,0	59,4	54,2	1,5	16,6	29,0
	B17	55,0 ml/rev	82,5	75,9	70,7	1,7	20,4	35,8
	B20	66,0 ml/rev	99,0	92,4	87,2	1,9	24,3	42,7
	B22	70,3 ml/rev	105,5	98,8	93,7	2,0	25,8	45,4
	B24	81,1 ml/rev	121,7	115,0	109,9	2,2	29,5	52,1
	B28	90,0 ml/rev	135,0	128,4	123,2	2,3	32,7	57,7
	B31	99,2 ml/rev	148,8	142,2	137,0	2,5	35,9	63,5
	B35	113,4 ml/rev	170,1	163,5	158,3	2,7	40,8	72,3
	B38	120,6 ml/rev	180,9	174,3	169,1	2,9	43,4	76,8
	B42	137,5 ml/rev	206,3	199,6	194,5	3,2	49,3	87,4
	045	145,7 ml/rev	218,6	209,2	202,6 <sup>3)</sup>	4,1	52,8	89,5 <sup>3)</sup>
	050	158,0 ml/rev	237,0	227,7	223,0 <sup>1)</sup>	4,4	57,1	85,0 <sup>1)</sup>
P3			p = 0 bar	p = 140 bar	p = 275 bar	p = 7 bar	p = 140 bar	p = 275 bar
	003	10,8 ml/rev	16,2	11,2	*	1,3	5,3	*
	005	17,2 ml/rev	25,8	20,8	16,1	1,4	7,5	13,9
	006	21,3 ml/rev	31,9	26,9	22,2	1,5	8,9	16,8
	008	26,4 ml/rev	39,6	34,6	29,9	1,6	10,7	20,3
	010	34,1 ml/rev	51,1	46,1	41,4	1,7	13,4	25,6
	012	37,1 ml/rev	55,6	50,6	45,9	1,7	14,4	27,6
	014	46,0 ml/rev	69,0	64,0	59,3	1,9	17,6	33,7
	017	58,3 ml/rev	87,4	82,4	77,7	2,1	21,9	42,2
	020	63,8 ml/rev	95,7	90,7	86,0	2,2	23,8	46,0
	022	70,3 ml/rev	105,4	100,4	95,7	2,3	26,1	50,4
	025	79,3 ml/rev	118,9	113,9	109,2	2,5	29,2	56,6
	028	88,8 ml/rev	133,2	128,2	125,8 <sup>1)</sup>	2,8	32,7	48,5 <sup>1)</sup>
	031	100,0 ml/rev	150,0	145,0	142,6 <sup>1)</sup>	2,8	36,5	54,4 <sup>1)</sup>

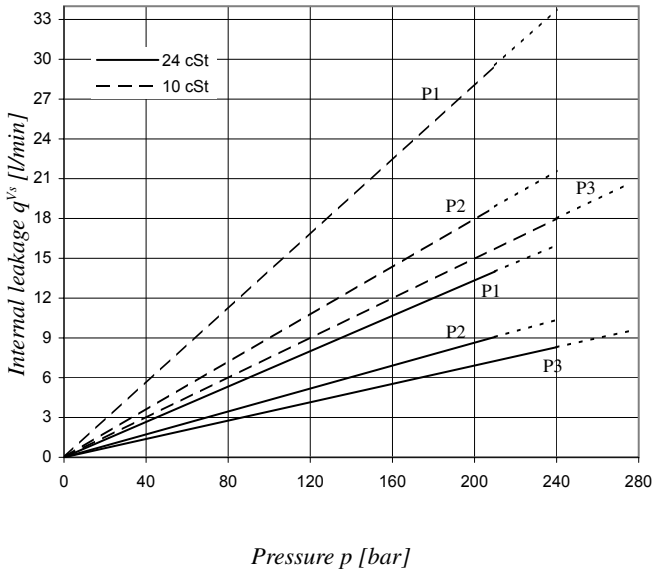
\* We do not recommend to use the size 003 in P3 at 275 bar & 1500 RPM as the internal leakage is over 50% of theoretical flow.

<sup>1)</sup> 050 - 028 - 031 = 210 bar max. int.

<sup>2)</sup> 085 = 90 bar max. int.

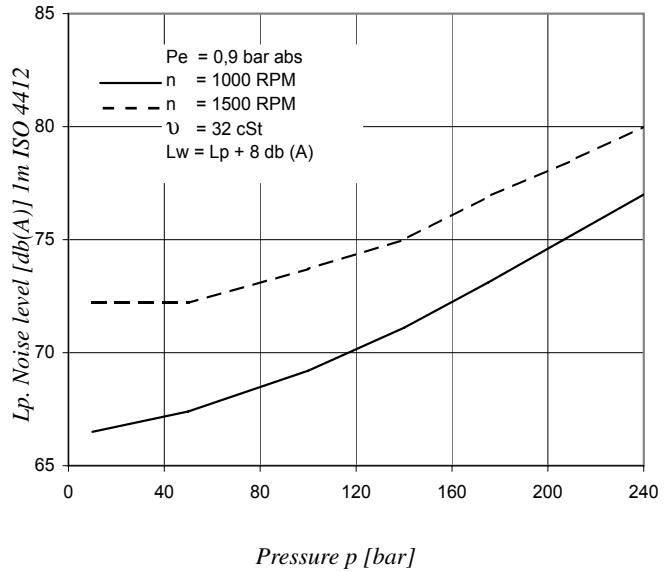
<sup>3)</sup> 045 = 240 bar max. int.

**INTERNAL LEAKAGE (TYPICAL)**



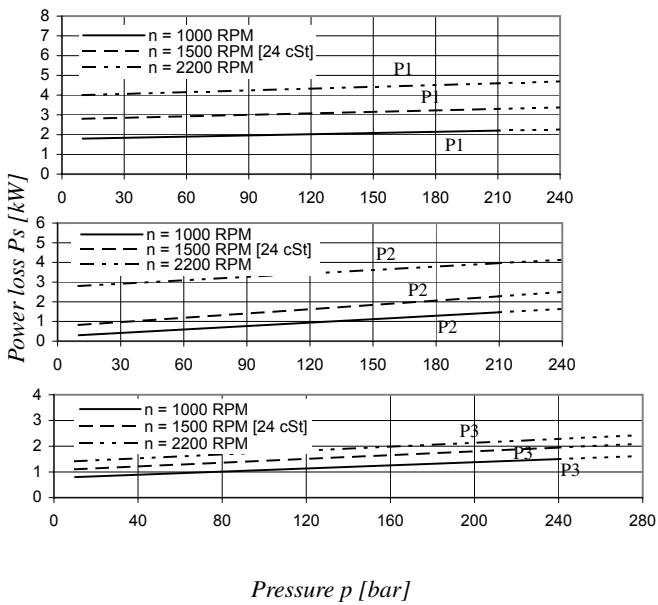
Do not operate pump more than 5 seconds at any speed or viscosity if internal leakage is higher than 50% of theoretical flow.  
 Total leakage is the sum of each section loss under its respective operating conditions.

**NOISE LEVEL (TYPICAL) - T67EDCS - 062 - B35 - 022**



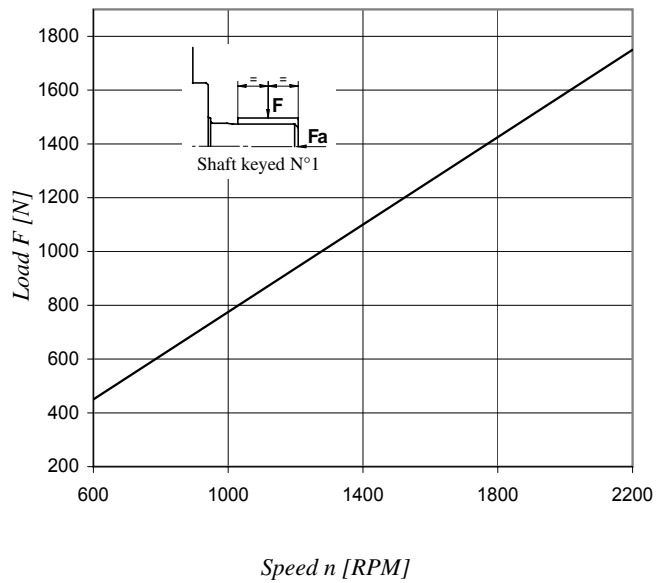
Triple pump noise level is given with all stages discharging at the pressure value indicated on the curve.

**POWER LOSS HYDROMECHANICAL (TYPICAL)**



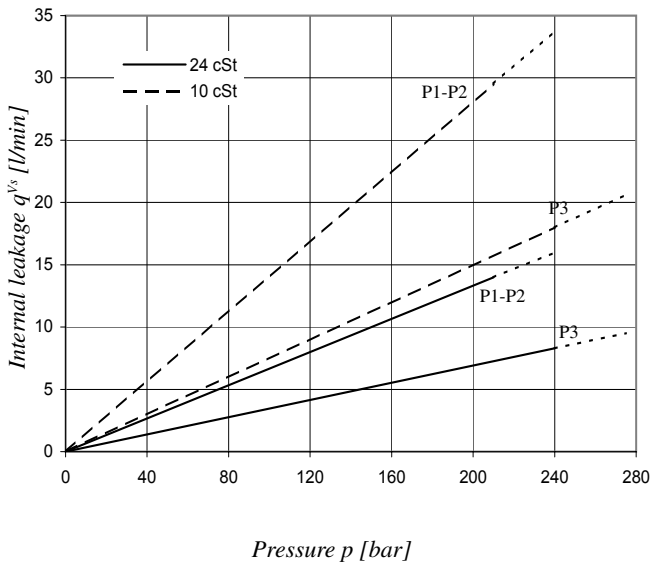
Total hydromechanical power loss is the sum of each section loss under its respective operating conditions.

**PERMISSIBLE RADIAL LOAD**



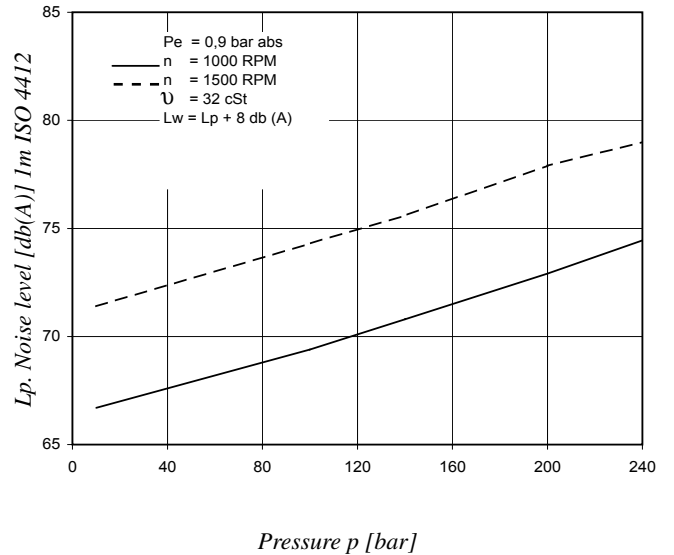
Maximum permissible axial load  $F_a = 2000\text{ N}$

**INTERNAL LEAKAGE (TYPICAL)**



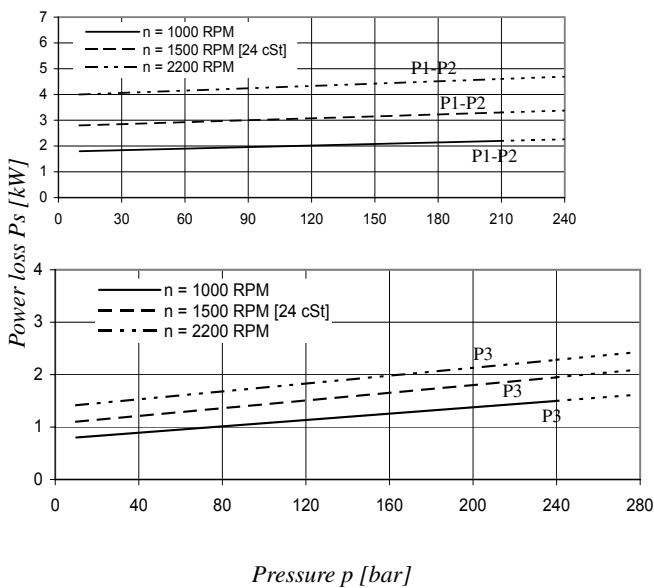
Do not operate pump more than 5 seconds at any speed or viscosity if internal leakage is higher than 50% of theoretical flow.  
 Total leakage is the sum of each section loss under its respective operating conditions.

**NOISE LEVEL (TYPICAL) - T7EECS - 052 - 052 - 025**



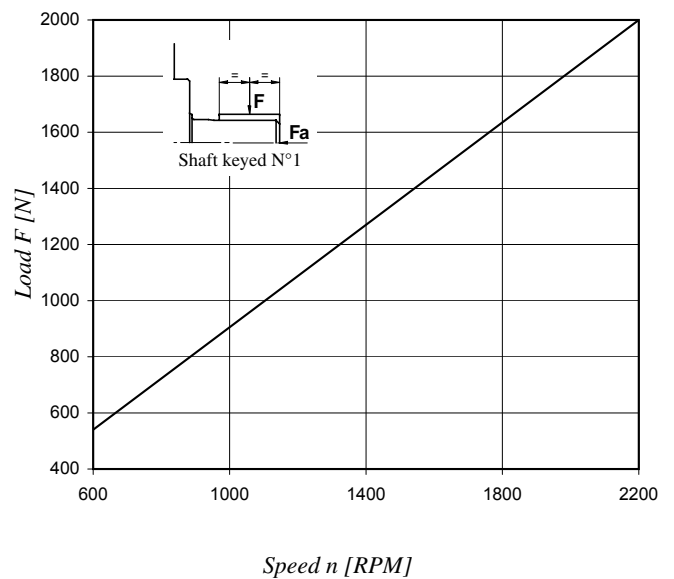
Triple pump noise level is given with all stages discharging at the pressure value indicated on the curve.

**POWER LOSS HYDROMECHANICAL (TYPICAL)**



Total hydromechanical power loss is the sum of each section loss under its respective operating conditions.

**PERMISSIBLE RADIAL LOAD**



Maximum permissible axial load  $F_a = 2000$  N

**Model No.** **T7EEC or T7EECS - 062 - 062 - 017 - 2 R 00 - A 1 - M0 - ..**

**T7EEC series** - 250-B4-HW  
ISO 4 bolts 3019-2 mounting flange

**T7EECS series** - SAE E 4 bolts  
J744 mounting flange

**Displacement for "P1" & "P2"**

Volumetric displacement (ml/rev)

042 = 132,3    057 = 183,3  
045 = 142,4    062 = 196,7  
050 = 158,5    066 = 213,3  
052 = 164,8    072 = 227,1  
054 = 171,0    085 = 268,7

**Displacement for "P3"**

Volumetric displacement (ml/rev.)

003 = 10,8    017 = 58,3  
005 = 17,2    020 = 63,8  
006 = 21,3    022 = 70,3  
008 = 26,4    025 = 79,3  
010 = 34,1    028 = 88,8  
012 = 37,1    031 = 100,0  
014 = 46,0

**Modifications**

**Mounting w/connection variables**

4 bolts SAE flange J518

**P1 = 1.1/2" - P2 = 1.1/2" - P3 = 3/4" & 1" - S = 4"**

	Metric	UNC
T7EEC - 3/4"	M1	
T7EECS - 3/4"	M1	01
T7EEC - 1"	M0	
T7EECS - 1"	M0	00

**Seal class**

1 = S1 BUNA N - 0,7 bar max. (for mineral oil)

**Design letter**

**Porting combination (see pages 72 - 73)**

00 = standard

**Direction of rotation (shaft end view)**

R = Clockwise

L = Counter-clockwise

**Type of shaft T7EEC - T7EECS**

2 = keyed (ISO 3019/2 - G45N))

**Type of shaft T7EECS**

4 = splined 8/16 (SAE D & E) (13 teeth)

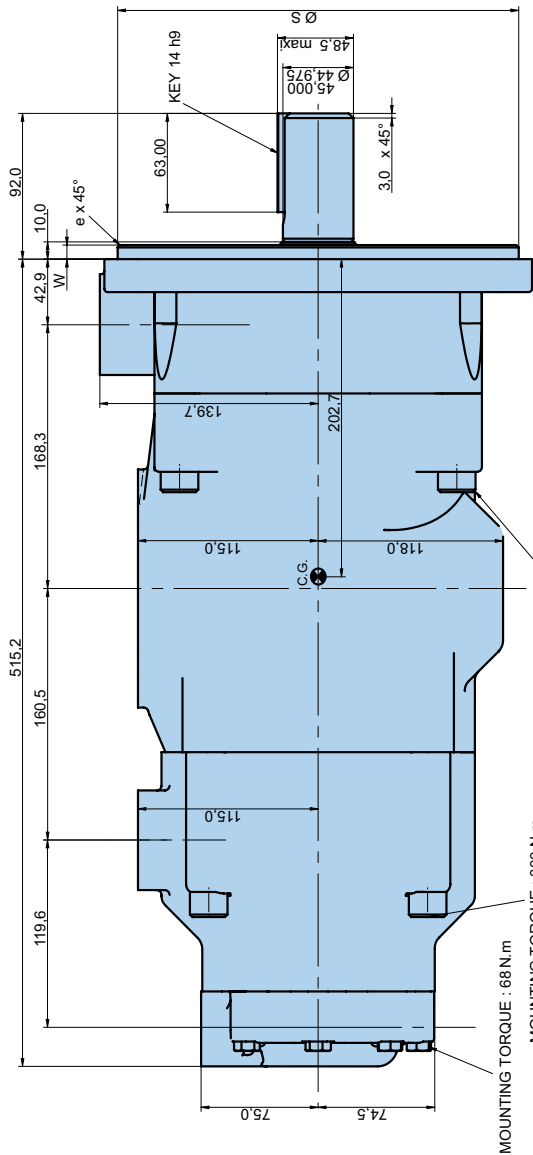
**OPERATING CHARACTERISTICS - TYPICAL [24 cSt]**

Pressure port	Series	Vi Volumetric displacement	Flow q <sub>v</sub> [l/min] & n = 1500 RPM			Input power P [kW] & n = 1500 RPM		
			p = 0 bar	p = 140 bar	p = 240 bar	p = 7 bar	p = 140 bar	p = 240 bar
P1 & P2	042	132,3 ml/rev	198,5	188,5	181,3	5,2	49,4	82,6
	045	142,4 ml/rev	213,6	203,6	196,5	5,4	52,9	88,7
	050	158,5 ml/rev	237,7	227,7	220,6	5,7	58,5	98,3
	052	164,8 ml/rev	247,2	237,2	230,1	5,8	60,8	102,1
	054	171,0 ml/rev	256,5	246,5	239,4	5,9	63,0	105,8
	057	183,3 ml/rev	275,0	265,0	257,9	6,1	67,3	113,2
	062	196,7 ml/rev	295,0	285,0	277,9	6,4	71,9	121,3
	066	213,3 ml/rev	319,9	309,0	302,8	6,7	77,7	131,2
	072	227,1 ml/rev	340,6	330,6	323,5	6,9	82,6	139,5
	085	268,7 ml/rev	403,0	392,0 <sup>2)</sup>	-	9,1	65,8 <sup>2)</sup>	-
			p = 0 bar	p = 140 bar	p = 275 bar	p = 7 bar	p = 140 bar	p = 275 bar
P3	003	10,8 ml/rev	16,2	11,2	*	1,3	5,3	*
	005	17,2 ml/rev	25,8	20,8	16,1	1,4	7,5	13,9
	006	21,3 ml/rev	31,9	26,9	22,2	1,5	8,9	16,8
	008	26,4 ml/rev	39,6	34,6	29,9	1,6	10,7	20,3
	010	34,1 ml/rev	51,1	46,1	41,4	1,7	13,4	25,6
	012	37,1 ml/rev	55,6	50,6	45,9	1,7	14,4	27,6
	014	46,0 ml/rev	69,0	64,0	59,3	1,9	17,6	33,7
	017	58,3 ml/rev	87,4	82,4	77,7	2,1	21,9	42,2
	020	63,8 ml/rev	95,7	90,7	86,0	2,2	23,8	46,0
	022	70,3 ml/rev	105,4	100,4	95,7	2,3	26,1	50,4
	025	79,3 ml/rev	118,9	113,9	109,2	2,5	29,2	56,6
	028	88,8 ml/rev	133,2	128,2	125,8 <sup>1)</sup>	2,8	32,7	48,5 <sup>1)</sup>
	031	100,0 ml/rev	150,0	145,0	142,6 <sup>1)</sup>	2,8	36,5	54,4 <sup>1)</sup>

\* We do not recommend to use the size 003 in P3 at 275 bar & 1500 RPM as the internal leakage is over 50% of theoretical flow.

<sup>1)</sup> 028 - 031 = 210 bar max.int.    <sup>2)</sup> 085 = 90 bar max.int.

**T7EEC/EECS - Dimensions - Weight : 114,8 kg T7/T67/T6C Industrial, Denison Vane Pumps**

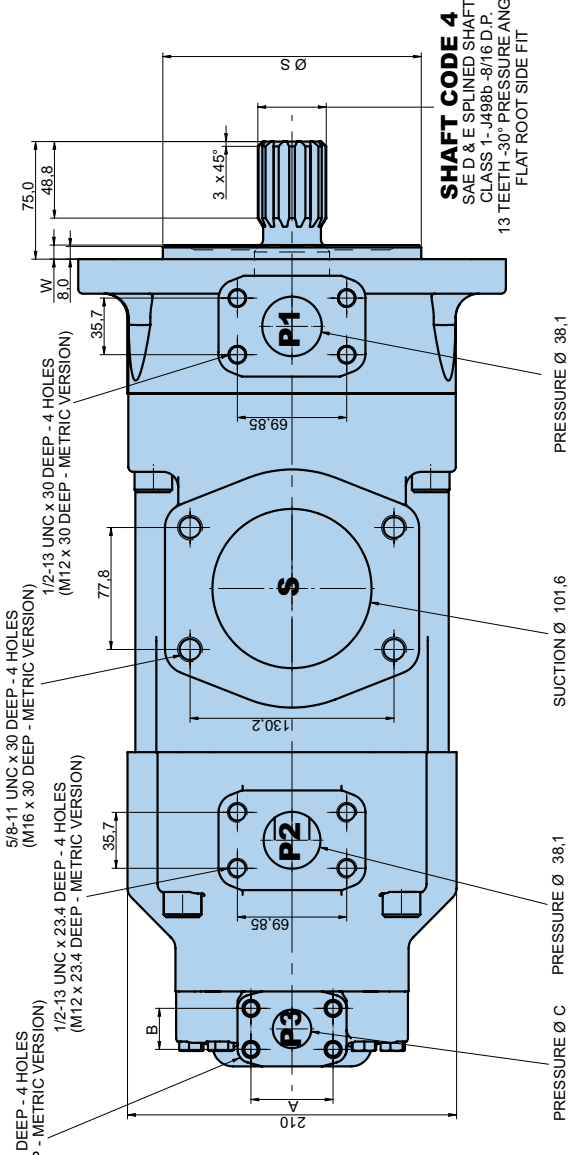


**SHAFT CODE 2**  
(KEYED G45N-ISO 3019-2)

MOUNTING TORQUE : 300 N.m

MOUNTING TORQUE : 68 N.m

MOUNTING TORQUE : 300 N.m



**SHAFT CODE 4**  
SAE D & E SPLINED SHAFT  
CLASS 1 - J4980-8/16 D.P.  
13 TEETH - 30° PRESSURE ANGLE  
FLAT ROOT SIDE FIT

5/8-11 UNC x 30 DEEP - 4 HOLES  
(M16 x 30 DEEP - METRIC VERSION)

3/8-16 UNC x 19 DEEP - 4 HOLES  
(M10 x 19 DEEP - METRIC VERSION)

1/2-13 UNC x 23.4 DEEP - 4 HOLES  
(M12 x 23.4 DEEP - METRIC VERSION)

1/2-13 UNC x 30 DEEP - 4 HOLES  
(M12 x 30 DEEP - METRIC VERSION)

1/2-13 UNC x 30 DEEP - 4 HOLES  
(M12 x 30 DEEP - METRIC VERSION)

3/8-16 UNC x 19 DEEP - 4 HOLES  
(M10 x 19 DEEP - METRIC VERSION)

5/8-11 UNC x 30 DEEP - 4 HOLES  
(M16 x 30 DEEP - METRIC VERSION)

PRESSURE Ø 38,1

SUCTION Ø 101,6

PRESSURE Ø 38,1

PRESSURE Ø C

Alternate connect. variables

	00 & M0	01 & M1
A	52,4	47,6
B	26,2	22,2
C	25,4	19,0

Alternate mounting flange

Series	Dia S		e x 45°	W	K	Dia Z	Dia d
	Max.	Min.					
T7EEC	250,000	249,928	2,0	9,0	-	31,5	22,0
T7EECS	165,100	165,050	2,0	9,0	224,5	-	20,8

Shaft torque limits [ml/rev. x bar]

Shaft	Vi x p max. P1 + P2 + P3
2	118340
4	126800



**Porting Diagrams**

**Hydraulic Pumps**

**T7/T67/T6C Industrial, Denison Vane Pumps**

**T7BB/T7BBS**

**T6CC**

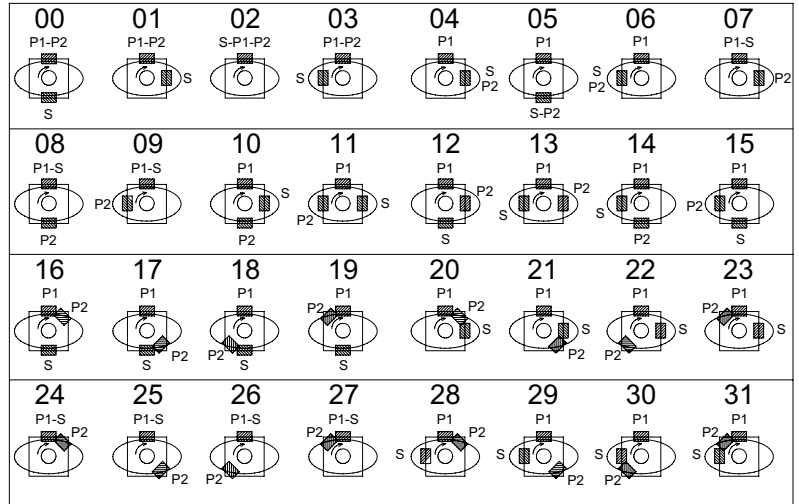
**T67CB**

**T7DB/T7DBS**

**T67DC**

**T7EB/T7EBS**

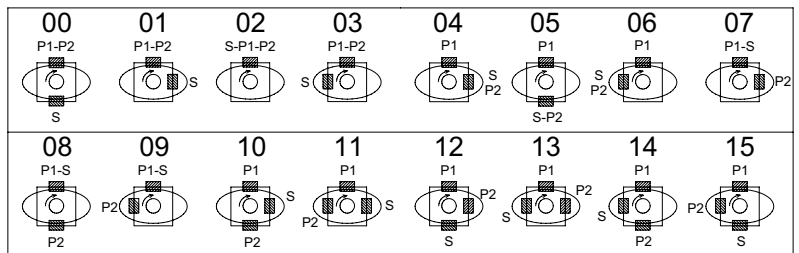
**T67EC**



**T7DD/T7DDS**

**T7ED/T7EDS**

**T7EE/T7EES**



**T7DBB/T7DBBS**

**T7DCB/T7DCBS**

**T7DCC/T7DCCS**

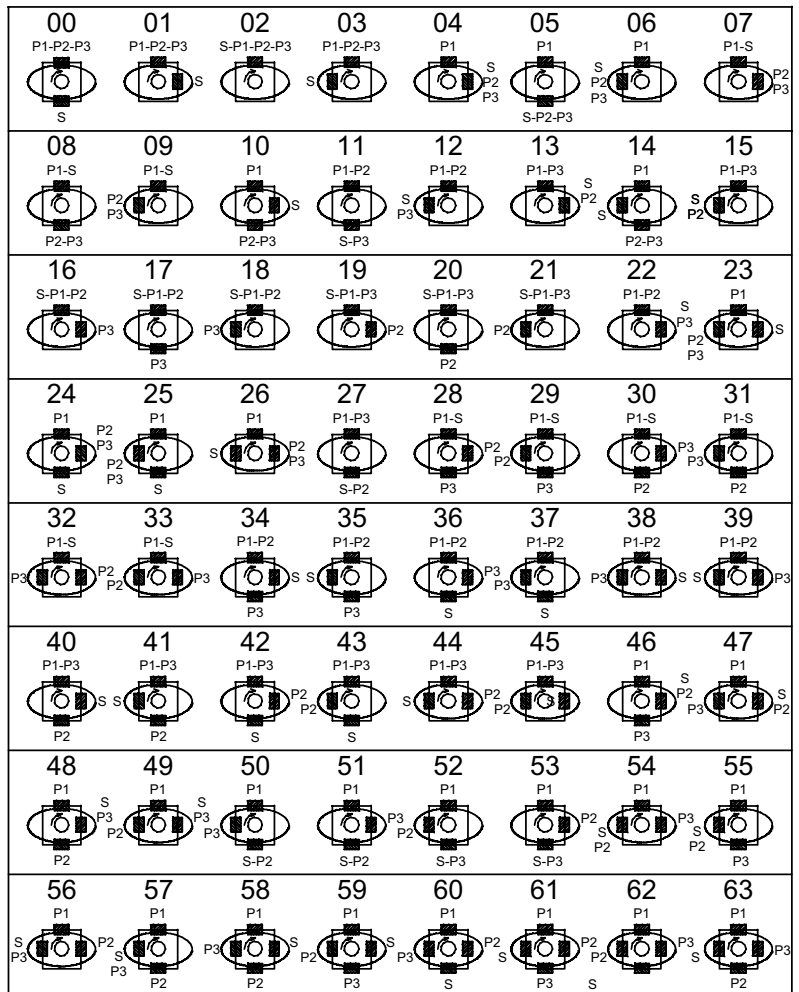
**T7DBB/T7DBBS**

**T67DDCS**

**T7EDB/T7EDBS**

**T67EDC/T67EDCS**

**T7EEC/T7EECS**



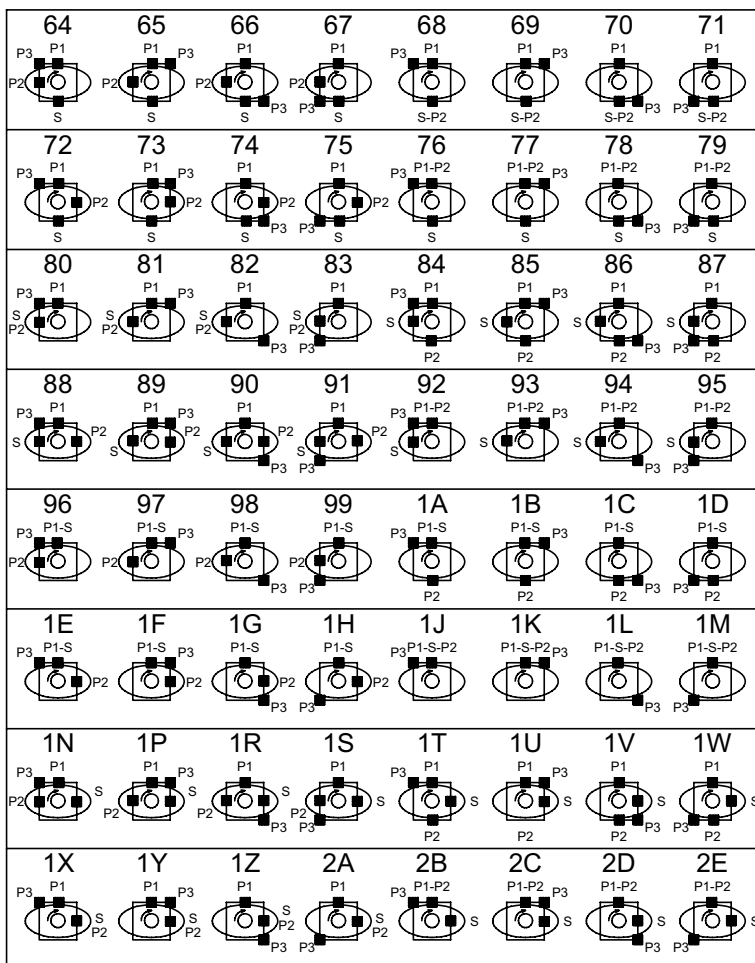


**Porting Diagrams**

**Hydraulic Pumps**

**T7/T67/T6C Industrial, Denison Vane Pumps**

- T7DBB/T7DBBS
- T7DCB/T7DCBS
- T7DCC/T7DCCS
- T7DBB/T7DBBS
- T67DDCS
- T7EDB/T7EDBS
- T67EDC/T67EDCS
- T7EEC/T7EECS



	S	P2	P3				P2	P3			
			02	16	17	18		20	30	08	31
			19	07	28	32		21	33	29	09
			01	22	34	38		40	48	10	58
			13	04	46	47		45	49	59	23
			00	36	11	37		27	51	05	50
			42	24	53	60		43	62	52	25
			03	39	35	12		41	63	14	57
			44	26	61	56		15	54	55	06





## **WARNING — USER RESPONSIBILITY**

**FAILURE OR IMPROPER SELECTION OR IMPROPER USE OF THE PRODUCTS DESCRIBED HEREIN OR RELATED ITEMS CAN CAUSE DEATH, PERSONAL INJURY AND PROPERTY DAMAGE.**

- This document and other information from Parker-Hannifin Corporation, its subsidiaries and authorized distributors provide product or system options for further investigation by users having technical expertise.

- The user, through its own analysis and testing, is solely responsible for making the final selection of the system and components and assuring that all performance, endurance, maintenance, safety and warning requirements of the application are met. The user must analyze all aspects of the application, follow applicable industry standards, and follow the information concerning the product in the current product catalog and in any other materials provided from Parker or its subsidiaries or authorized distributors.

- To the extent that Parker or its subsidiaries or authorized distributors provide component or system options based upon data or specifications provided by the user, the user is responsible for determining that such data and specifications are suitable and sufficient for all applications and reasonably foreseeable uses of the components or systems.

## **Offer of Sale**

Please contact your Parker representation for a detailed "Offer of Sale".

# Parker Worldwide

**AE – UAE, Dubai**  
Tel: +971 4 8127100  
parker.me@parker.com

**AR – Argentina, Buenos Aires**  
Tel: +54 3327 44 4129

**AT – Austria, Wiener Neustadt**  
Tel: +43 (0)2622 23501-0  
parker.austria@parker.com

**AT – Eastern Europe, Wiener Neustadt**  
Tel: +43 (0)2622 23501 900  
parker.easteurope@parker.com

**AU – Australia, Castle Hill**  
Tel: +61 (0)2-9634 7777

**AZ – Azerbaijan, Baku**  
Tel: +994 50 2233 458  
parker.azerbaijan@parker.com

**BE/LU – Belgium, Nivelles**  
Tel: +32 (0)67 280 900  
parker.belgium@parker.com

**BR – Brazil, Cachoeirinha RS**  
Tel: +55 51 3470 9144

**BY – Belarus, Minsk**  
Tel: +375 17 209 9399  
parker.belarus@parker.com

**CA – Canada, Milton, Ontario**  
Tel: +1 905 693 3000

**CH – Switzerland, Etoy**  
Tel: +41 (0) 21 821 02 30  
parker.switzerland@parker.com

**CL – Chile, Santiago**  
Tel: +56 2 623 1216

**CN – China, Shanghai**  
Tel: +86 21 2899 5000

**CZ – Czech Republic, Klecany**  
Tel: +420 284 083 111  
parker.czechrepublic@parker.com

**DE – Germany, Kaarst**  
Tel: +49 (0)2131 4016 0  
parker.germany@parker.com

**DK – Denmark, Ballerup**  
Tel: +45 43 56 04 00  
parker.denmark@parker.com

**ES – Spain, Madrid**  
Tel: +34 902 330 001  
parker.spain@parker.com

**FI – Finland, Vantaa**  
Tel: +358 (0)20 753 2500  
parker.finland@parker.com

**FR – France, Contamine s/Arve**  
Tel: +33 (0)4 50 25 80 25  
parker.france@parker.com

**GR – Greece, Athens**  
Tel: +30 210 933 6450  
parker.greece@parker.com

**HK – Hong Kong**  
Tel: +852 2428 8008

**HU – Hungary, Budapest**  
Tel: +36 1 220 4155  
parker.hungary@parker.com

**IE – Ireland, Dublin**  
Tel: +353 (0)1 466 6370  
parker.ireland@parker.com

**IN – India, Mumbai**  
Tel: +91 22 6513 7081-85

**IT – Italy, Corsico (MI)**  
Tel: +39 02 45 19 21  
parker.italy@parker.com

**JP – Japan, Fujisawa**  
Tel: +(81) 4 6635 3050

**KR – South Korea, Seoul**  
Tel: +82 2 559 0400

**KZ – Kazakhstan, Almaty**  
Tel: +7 7272 505 800  
parker.easteurope@parker.com

**LV – Latvia, Riga**  
Tel: +371 6 745 2601  
parker.latvia@parker.com

**MX – Mexico, Apodaca**  
Tel: +52 81 8156 6000

**MY – Malaysia, Shah Alam**  
Tel: +60 3 7849 0800

**NL – The Netherlands, Oldenzaal**  
Tel: +31 (0)541 585 000  
parker.nl@parker.com

**NO – Norway, Ski**  
Tel: +47 64 91 10 00  
parker.norway@parker.com

**NZ – New Zealand, Mt Wellington**  
Tel: +64 9 574 1744

**PL – Poland, Warsaw**  
Tel: +48 (0)22 573 24 00  
parker.poland@parker.com

**PT – Portugal, Leca da Palmeira**  
Tel: +351 22 999 7360  
parker.portugal@parker.com

**RO – Romania, Bucharest**  
Tel: +40 21 252 1382  
parker.romania@parker.com

**RU – Russia, Moscow**  
Tel: +7 495 645-2156  
parker.russia@parker.com

**SE – Sweden, Spånga**  
Tel: +46 (0)8 59 79 50 00  
parker.sweden@parker.com

**SG – Singapore**  
Tel: +65 6887 6300

**SK – Slovakia, Banská Bystrica**  
Tel: +421 484 162 252  
parker.slovakia@parker.com

**SL – Slovenia, Novo Mesto**  
Tel: +386 7 337 6650  
parker.slovenia@parker.com

**TH – Thailand, Bangkok**  
Tel: +662 717 8140

**TR – Turkey, Istanbul**  
Tel: +90 216 4997081  
parker.turkey@parker.com

**TW – Taiwan, Taipei**  
Tel: +886 2 2298 8987

**UA – Ukraine, Kiev**  
Tel: +380 44 494 2731  
parker.ukraine@parker.com

**UK – United Kingdom, Warwick**  
Tel: +44 (0)1926 317 878  
parker.uk@parker.com

**US – USA, Cleveland (industrial)**  
Tel: +1 216 896 3000

**US – USA, Lincolnshire (mobile)**  
Tel: +1 847 821 1500

**VE – Venezuela, Caracas**  
Tel: +58 212 238 5422

**ZA – South Africa, Kempton Park**  
Tel: +27 (0)11 961 0700  
parker.southafrica@parker.com

**European Product Information Centre**  
Free phone: 00 800 27 27 5374  
(from AT, BE, CH, CZ, DE, DK, EE, ES, FI, FR, IE, IL, IS, IT, LU, MT, NL, NO, PL, PT, RU, SE, UK, ZA)



**Parker Hannifin Ltd.**  
Tachbrook Park Drive  
Tachbrook Park, Warwick CV34 6TU  
United Kingdom  
Tel.: +44 (0) 1926 317 878  
Fax: +44 (0) 1926 317 855  
www.parker.com