

PSR-SCP- 24DC/RSM4/4X1


Order No.: 2981538



<http://catalog.phoenixcontact.net/phoenix/treeViewClick.do?UID=2981538>

Two-channel speed and downtime monitor up to SIL 3 or Cat. 4, PL e according to EN ISO 13849, 4 N/O contacts, suitable for connecting incremental encoders and initiators, plug-in screw connection terminal blocks, width: 45 mm



| Commercial data | |
|--------------------------|--|
| EAN |  4 017918 996826 |
| sales group | G551 |
| Pack | 1 Pcs. |
| Customs tariff | 85371099 |
| Gross weight in pieces | 0.365 KG |
| Net weight per piece | 0.365 KG |
| Catalog page information | Page 35 (IF-2011) |

Product notes

WEEE/RoHS-compliant since:
11/27/2006



<http://www.download.phoenixcontact.com>
Please note that the data given here has been taken from the online catalog. For comprehensive information and data, please refer to the user documentation. The General Terms and Conditions of Use apply to Internet downloads.

Technical data

| Input data | |
|---|-----------------|
| Nominal input voltage U_N | 24 V DC |
| Input voltage range in reference to U_N | 0.85 ... 1.1 |
| Typical input current at U_N | 100 mA |
| Voltage at input/start and feedback circuit | Approx. 24 V DC |

| | |
|-----------------------|------------------------------------|
| Typical response time | 15 ms |
| Typical release time | 12 ms |
| Recovery time | 1 s |
| Limit frequency | 2 kHz (IN1, IN2) 400 kHz (RJ45) |

Output data

| | |
|---------------------------------------|--|
| Contact type | 4 enabling current paths |
| Contact material | AgNi10, + 5 µm Au |
| Maximum switching voltage | 250 V AC/DC (when the gold layer is destroyed) 60 V AC/DC (With gold layer existing) |
| Minimum switching voltage | 100 mV AC/DC |
| Limiting continuous current | 5 A 100 mA (alarm outputs) |
| Maximum inrush current | 6 A |
| Inrush current, minimum | 1 mA |
| Sq. Total current | $42.25 \text{ A}^2 (I_{TH}^2 = I_1^2 + I_2^2 + I_3^2 + I_4^2)$ |
| Interrupting rating (ohmic load) max. | 67 W (24 V DC, $\tau = 0 \text{ ms}$) 36 W (48 V DC, $\tau = 0 \text{ ms}$) 43 MW (110 V DC, $\tau = 0 \text{ ms}$) 68 MW (220 V DC, $\tau = 0 \text{ ms}$) |
| Switching capacity min. | 1 mW |
| Output fuse | 6 A gL |

General data

| | |
|---|--|
| Width | 45 mm |
| Height | 99 mm |
| Depth | 114.5 mm |
| Ambient temperature (operation) | -20 °C ... 55 °C |
| Ambient temperature (storage/transport) | -40 °C ... 70 °C |
| Relay type | Electromechanically forcibly guided, dust-proof relay. |
| Mechanical service life | > 50 x 10 ⁶ cycles |
| Mounting position | Any |
| Assembly instructions | In rows with zero spacing |
| Category according to EN 13849-1 | 4 4 |

| | |
|----------------------------------|--|
| Stop category | 0 |
| Name | Air and creepage distances between the power circuits |
| Standards/regulations | EN 60664/VDE 0110 |
| Rated surge voltage / insulation | 4 kV / Basic isolation, (safe isolation, reinforced insulation and 6 kV between input circuit and enabling current paths.) |
| Rated insulation voltage | 250 V |
| Pollution degree | 2 |
| Surge voltage category | III |
| Interfaces | Encoder |

Connection data

| | |
|--|---------------------|
| Conductor cross section solid min. | 0.2 mm ² |
| Conductor cross section solid max. | 2.5 mm ² |
| Conductor cross section stranded min. | 0.2 mm ² |
| Conductor cross section stranded max. | 2.5 mm ² |
| Conductor cross section AWG/kcmil min. | 24 |
| Conductor cross section AWG/kcmil max | 12 |
| Stripping length | 7 mm |
| Screw thread | M3 |
| Connection method | Screw connection |

Certificates / Approvals



Certification

cULus Listed, GOST, Funktionale Sicherheit

Certifications applied for:

Certification Ex:

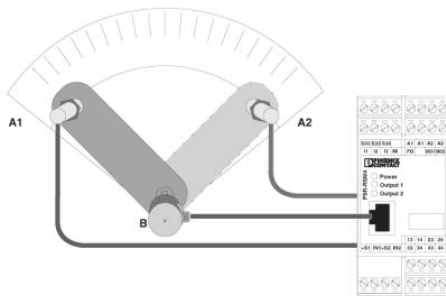
Accessories

| Item | Designation | Description |
|----------------|------------------------|---|
| General | | |
| 2981651 | CABLE-15/8/250/RSM/AMK | Cable adapter for PSR-RSM, 15/8-pos., cable length 2.5 m, for controller: AMK |

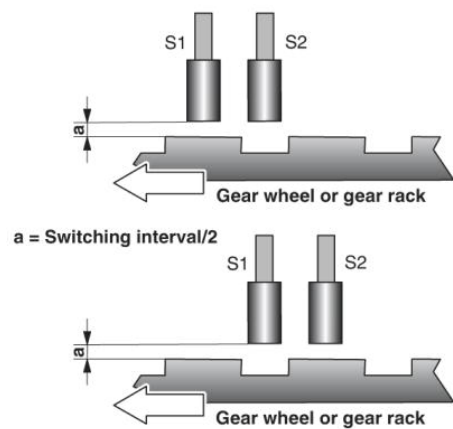
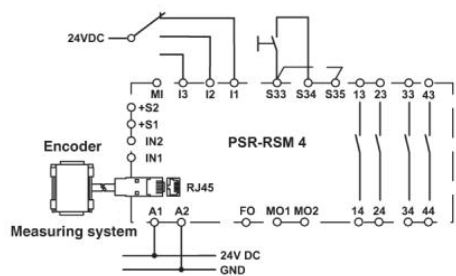
| | | |
|---------|-----------------------------|---|
| 2981648 | CABLE-15/8/250/RSM/DKC | Cable adapter for PSR-RSM, 15/8-pos., cable length 2.5 m, for controller: Indramat |
| 2981635 | CABLE-15/8/250/RSM/FM-NC | Cable adapter for PSR-RSM, 15/8-pos., cable length 2.5 m, for controller: Siemens |
| 2981619 | CABLE-15/8/250/RSM/MHD/G | Cable adapter for PSR-RSM, 15/8-pos., cable length 2.5 m, for controller: Indramat |
| 2981606 | CABLE-15/8/250/RSM/SIMO611D | Cable adapter for PSR-RSM, 15/8-pos., cable length 2.5 m, for controller: Siemens, Heidenhain |
| 2981622 | CABLE-15/8/250/RSM/SIN800 | Cable adapter for PSR-RSM, 15/8-pos., cable length 2.5 m, for controller: Siemens |
| 2981596 | CABLE-25/8/250/RSM/ARADDEX | Cable adapter for PSR-RSM, 25/8-pos., cable length 2.5 m, for controller: Aradex |
| 2981583 | CABLE-25/8/250/RSM/SIMO611D | Cable adapter for PSR-RSM, 25/8-pos., cable length 2.5 m, for controller: Siemens, Heidenhain |
| 2981554 | PSR-CONF-WIN1.0 | Configuration software for PSR-RSM4, with connecting cable |

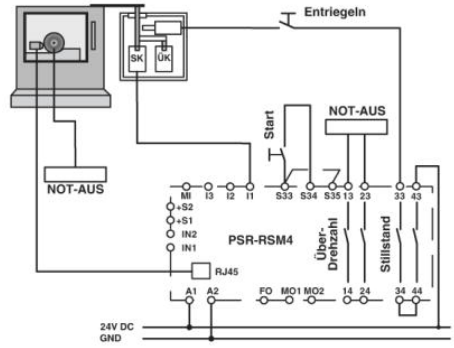
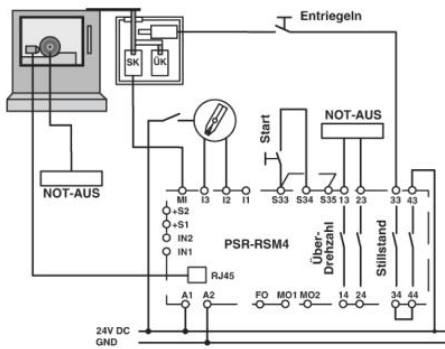
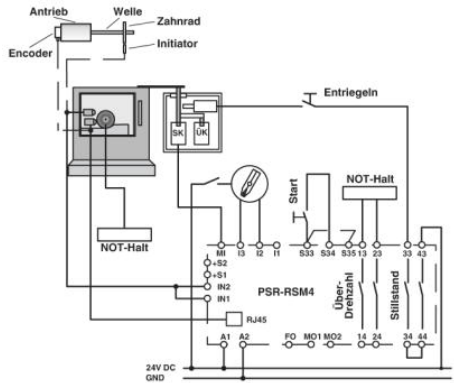
Drawings

Application drawing

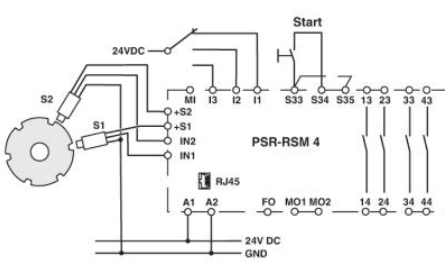
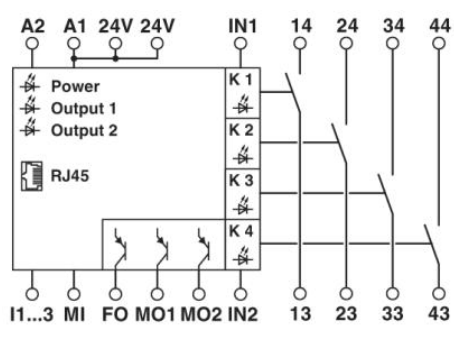


Diagram





Circuit diagram



Address

PHOENIX CONTACT Ind. Com. Ltda.
Rua Gino Cesaro
BR-05038-140 Sao Paulo-SP / 169 - Água
Branca,Brazil
Phone +55/11/3871-6400
Fax +55/11/3871-6401
<http://www.phoenixcontact.com.br>



© 2012 Phoenix Contact
Technical modifications reserved;