

MCR-FL-C-UI-2UI-DCI

Order No.: 2814854



<http://eshop.phoenixcontact.de/phoenix/treeViewClick.do?UID=2814854>


MCR signal multiplier, for doubling and electrical isolation of analog signals, unconfigured



Commercial data	
Note	Made-to-order
sales group	H500
Pack	1 pcs.
Customs tariff	85437090
Catalog page information	Page 406 (IF-2011)

Product notes

WEEE/RoHS-compliant since:
11/14/2006



<http://www.download.phoenixcontact.com>
Please note that the data given here has been taken from the online catalog. For comprehensive information and data, please refer to the user documentation. The General Terms and Conditions of Use apply to Internet downloads.

Technical data

Input data	
Description of the input	Current input
Configurable/programmable	Yes, preconfigured
Current input signal	0 mA ... 24 mA (freely selectable in 0.1 mA steps)
Max. input current	50 mA

Input resistance current input	50 Ω
Description of the input	Voltage input
Configurable/programmable	Yes, preconfigured
Voltage input signal	0 V ... 12 V (freely selectable in 0.1 V steps)
Max. input voltage	30 V
Input resistance of voltage input	200 k Ω

Output data

Output name	Voltage output
Configurable/programmable	Yes, preconfigured
Voltage output signal	(refer to the order key)
Max. output voltage	15 V
Load/output load voltage output	≥ 10 k Ω
Output name	Current output
Configurable/programmable	Yes, preconfigured
Current output signal	(refer to the order key)
Max. output current	35 mA
Load/output load current output	≤ 600 Ω

Power supply

Supply voltage range	20 V DC ... 30 V DC
Max. current consumption	< 25 mA

Connection data

Connection method	Pluggable screw connection
Conductor cross section solid min.	0.2 mm ²
Conductor cross section solid max.	2.5 mm ²
Conductor cross section stranded min.	0.2 mm ²
Conductor cross section stranded max.	2.5 mm ²
Conductor cross section AWG/kcmil min.	24
Conductor cross section AWG/kcmil max	14
Stripping length	8 mm
Screw thread	M3

General data

No. of channels	2
Width	17.5 mm

Height	99 mm
Depth	114.5 mm
Maximum transmission error	≤ 0.15 % (of final value)
Transmission error, typical	0.05 % (of final value)
Maximum temperature coefficient	< 0.015 %/K
Temperature coefficient, typical	0.0075 %/K
Limit frequency (3 dB)	30 Hz
Step response (10-90%)	12 ms
Protective circuit	Transient protection
Ambient temperature (operation)	-25 °C ... 55 °C
Degree of protection	IP20
Test voltage, input/output/supply	1.5 kV (50 Hz, 1 min.)
Color	green
Housing material	Polyamide PA non-reinforced
Mounting position	Any
Conformance	CE-compliant
UL, USA / Canada	Class I, Div. 2, Groups A, B, C, D or non-hazardous locations

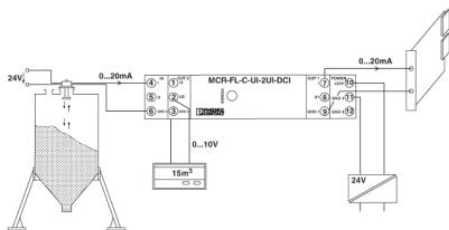
Certificates / Approvals



Certification	CUL, GOST, UL
Certification Ex:	CUL-EX LIS, UL-EX LIS

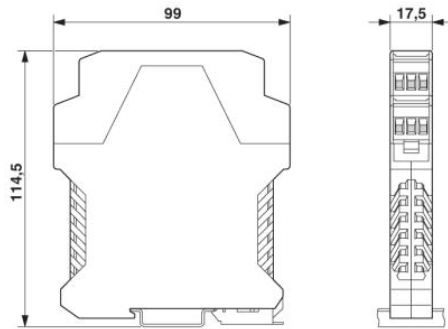
Diagrams/Drawings

Application drawing

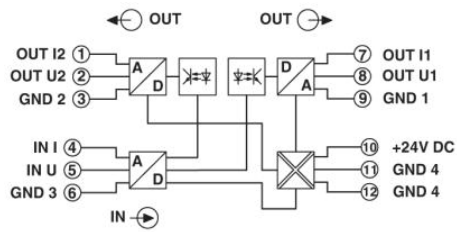


Application example: - Level measurement with subsequent signal multiplication
 1 = filling level sensor
 2 = control
 3 = mains voltage

Dimensioned drawing



Circuit diagram



Address

Phoenix Contact
Rua Gino Cesaro
BR-05038-140 Sao Paulo-SP / 169 - Água
Branca,Brazil
Phone +55/11/3871-6400
Fax +55/11/3871-6401
<http://www.phoenixcontact.com.br>



© 2011 Phoenix Contact
Technical modifications reserved;