

PSM-ME-RS232/RS485-P

Order No.: 2744416




<http://eshop.phoenixcontact.de/phoenix/treeViewClick.do?UID=2744416>

Interface converter, for converting RS-232 (V.24) to RS-422 (V.11) and RS-485, with electrical isolation, 2 channels, rail-mountable



Commercial data

| | |
|--------------------------|--|
| GTIN (EAN) |  4 017918 171780 |
| sales group | H611 |
| Pack | 1 pcs. |
| Customs tariff | 85176200 |
| Catalog page information | Page 497 (IF-2009) |

Product notes

WEEE/RoHS-compliant since:
10/06/2006



<http://www.download.phoenixcontact.com>
Please note that the data given here has been taken from the online catalog. For comprehensive information and data, please refer to the user documentation. The General Terms and Conditions of Use apply to Internet downloads.

Technical data

Serial interface

| | |
|---------------------------------------|---|
| Interface 1 | V.24 (RS-232) interface in acc. with ITU-T V.28, EIA/TIA-232, DIN 66259-1 |
| Type of connection | D-SUB-9 male connector |
| Conductor cross section stranded min. | 0.2 mm ² |

| | |
|--|--|
| Conductor cross section stranded max. | 2.5 mm ² |
| Conductor cross section AWG/kcmil min. | 24 |
| Conductor cross section AWG/kcmil max | 14 |
| Serial transmission speed | 115.2 kbps |
| Interface 2 | RS-422 interface in acc. with ITU-T V.11, EIA/TIA-422, DIN 66348-1 |
| Termination resistor | 150 Ω can be connected; pull up/down 390 Ω |
| Transmission length | 1200 m (twisted pair) |
| Type of connection | Pluggable screw connection |
| Conductor cross section stranded min. | 0.2 mm ² |
| Conductor cross section stranded max. | 2.5 mm ² |
| Conductor cross section AWG/kcmil min. | 24 |
| Conductor cross section AWG/kcmil max | 14 |
| Serial transmission speed | 115.2 kbps |
| Interface 3 | RS-485 interface in acc. with EIA/TIA-485, DIN 66259-1 |
| Type of connection | Pluggable screw connection |
| Transmission length | 1200 m (twisted pair) |
| Termination resistor | 150 Ω can be connected; pull up/down 390 Ω |
| Conductor cross section stranded max. | 2.5 mm ² |
| Conductor cross section stranded min. | 0.2 mm ² |
| Conductor cross section AWG/kcmil max | 14 |
| Conductor cross section AWG/kcmil min. | 24 |
| Data direction switching | Automatic control or via RTS/CTS |
| Serial transmission speed | 115.2 kbps |

Power supply

| | |
|-----------------------------|------------------|
| Nominal supply voltage | 24 V AC/DC ±20 % |
| Typical current consumption | 85 mA (24 V DC) |

General data

| | |
|---|--------------------------------|
| Transmission channels | 2 (1/1), RxD, TxD, full duplex |
| Bit delay | ≤ 3 μs |
| Bit distortion | ≤ 5 % |
| Width | 22.5 mm |
| Height | 99 mm |
| Depth | 118.6 mm |
| Ambient temperature (storage/transport) | -20 °C ... 85 °C |

| | |
|--|--|
| Ambient temperature (operation) | 0 °C ... 55 °C |
| Electrical isolation | RS-232 // RS-422 // supply |
| Test voltage data interfaces | 2 kV AC |
| Test voltage data interface/power supply | 2 kV AC |
| Electromagnetic compatibility | Conformance with EMC Directive 2004/108/EC |
| Noise emission | EN 50 081-1 |
| Noise immunity | EN 61000-6-2:2005 |
| Net weight | 120 g |
| Housing material | PA |
| Color | green |
| MTBF | 923 Years (Telcordia standard, 25°C temperature, 21% operating cycle (5 days a week, 8 hours a day)) |
| | 179 Years (Telcordia standard, 40°C temperature, 34.25% operating cycle (5 days a week, 12 hours a day)) |
| UL, USA / Canada | Class I, Div. 2, Groups A, B, C, D |

Certificates / Approvals



| | |
|-------------------|--------------------|
| Certification | CUL, DNV, GOST, UL |
| Certification Ex: | CUL-EX, UL-EX |

Accessories

| Item | Designation | Description |
|------|-------------|-------------|
|------|-------------|-------------|

Assembly

| | | |
|---------|--------|--|
| 2853899 | ME-SAS | Shield connection clamp for printed circuit terminal block |
|---------|--------|--|

Cable/conductor

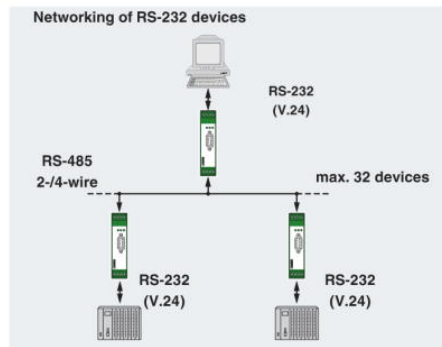
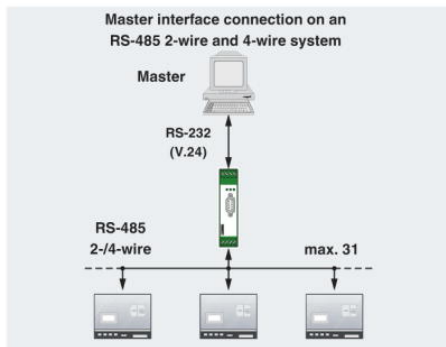
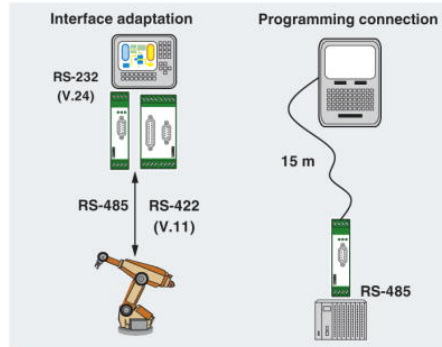
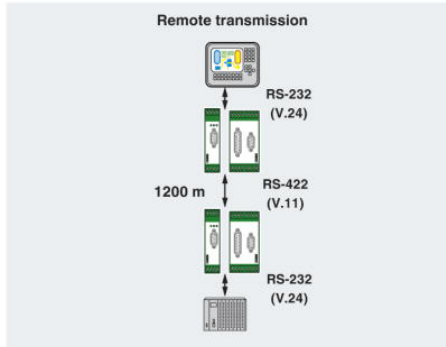
| | | |
|---------|---------------------------|---|
| 2761059 | PSM-KA 9 SUB 25/BB/2METER | RS-232 cable, 9-pos. D-SUB female connector 25-pos on D-SUB female connector |
| 2799474 | PSM-KA9SUB9/BB/2METER | RS-232 cable, 9-pos. D-SUB female connector on 9-pos. D-SUB female connector, 9-wire, 1:1 |

Tools

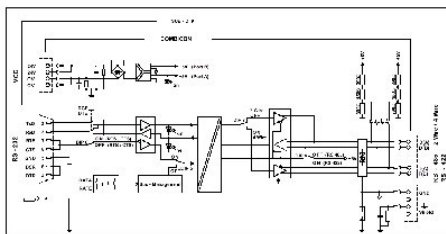
| | | |
|---------|---------------|---|
| 1204517 | SZF 1-0,6X3,5 | Actuation tool, for ST terminal blocks, also suitable for use as a bladed screwdriver, size: 0.6 x 3.5 x 100 mm, 2-component grip, with non-slip grip |
|---------|---------------|---|

Diagrams/Drawings

Application drawing



Circuit diagram



Address

Phoenix Contact
Rua Gino Cesaro
BR-05038-140 Sao Paulo-SP / 169 - Água
Branca,Brazil
Phone +55/11/3871-6400
Fax +55/11/3871-6401
<http://www.phoenixcontact.com.br>



© 2011 Phoenix Contact
Technical modifications reserved;