

## HC-M-KV-M20(9-13)


Order No.: 1690561

The illustration shows version HC-M-KV-M20

<http://catalog.phoenixcontact.net/phoenix/treeViewClick.do?UID=1690561>

Metal screw connection up to 5 bar, thread length: 6 mm, cable diameter: 9 - 13 mm, WAF 22, screw connection: M20

### Commercial data

EAN	 4 017918 822620
sales group	D092
Pack	25 Pcs.
Customs tariff	74199990
Gross weight in pieces	0.03346 KG
Net weight per piece	0.03346 KG
Catalog page information	Page 593 (PC-2011)

### Product notes

WEEE/RoHS-compliant since:  
02/16/2006



<http://www.download.phoenixcontact.com>  
Please note that the data given here has been taken from the online catalog. For comprehensive information and data, please refer to the user documentation. The General Terms and Conditions of Use apply to Internet downloads.

### Technical data

#### General data

Type of the screw connection	M20
Cable gland material	Nickel-plated brass
Seal material	Neoprene
Cable seal material	Neoprene
Material, O-ring	NBR

Wrench size, union nut	22 mm
Wrench size, support	22 mm
Thread type connection side 1	M20
Length of the connecting thread	6.00 mm
External cable diameter	9 mm ... 13 mm
Conductor sealing range	9.00 mm ... 13.00 mm
Tightening torque, union nut	7.50 Nm
Degree of protection	IP68, to 5 bar
Ambient temperature (operation)	-20 °C ... 100 °C

### Certificates / Approvals

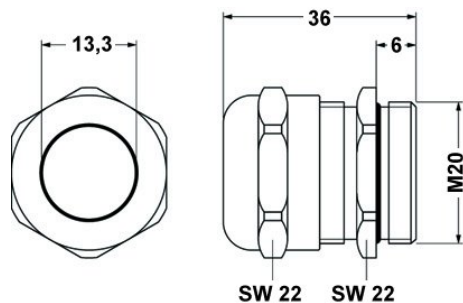
Certification GOST

Certifications applied for:

Certification Ex:

### Drawings

Dimensioned drawing



Connection data incl. use groups

---



**Address**

Phoenix Contact  
Rua Gino Cesaro  
BR-05038-140 Sao Paulo-SP / 169 - Água  
Branca,Brazil  
Phone +55/11/3871-6400  
Fax +55/11/3871-6401  
<http://www.phoenixcontact.com.br>



© 2012 Phoenix Contact  
Technical modifications reserved;