

HC-B 5-ESTC


Order No.: 1687817



<http://catalog.phoenixcontact.net/phoenix/treeViewClick.do?UID=1687817>

HEAVYCON male insert, B5 series, 5-pos., crimp connection

Commercial data

EAN	 4 017918 831493
sales group	D000
Pack	10 Pcs.
Customs tariff	85369010
Gross weight in pieces	0.01314 KG
Net weight per piece	0.01314 KG
Catalog page information	Page 514 (PC-2011)

Product notes

WEEE/RoHS-compliant since:
08/01/2005



<http://www.download.phoenixcontact.com>
Please note that the data given here has been taken from the online catalog. For comprehensive information and data, please refer to the user documentation. The General Terms and Conditions of Use apply to Internet downloads.

Technical data

General data

Note	for HC-D7 housing, CK2,5-ED crimp contacts (crimp contacts not included in scope of supply)
Connection method	Crimp connection
Ambient temperature (operation)	-40 °C ... 125 °C (including heating up of contacts)

Pollution degree	3
Surge voltage category	III
Number of positions	5
Insertion/withdrawal cycles	≥ 500
Design	D7
Connection in acc. with standard	IEC / EN
Conductor cross section	0.5 mm ² ... 2.5 mm ²
Connection cross section AWG	20 ... 14
Stripping length of the individual wire	7.5 mm
Assembly instructions	Connectors may be operated only when there is no load/voltage.

Material data

Inflammability class according to UL 94	V0
Seal material	NBR
Contact material	Copper alloy
Contact surface material	Ag (alternatively Au)
Contact carrier material	PA

Electrical characteristics

Rated voltage (III/3)	230 V (Conductor-PE)
	400 V (Conductor-Conductor)
Rated surge voltage	4 kV
Rated current	16 A

Certificates / Approvals

Certification CUL, GOST, UL

Certifications applied for:

Certification Ex:

Accessories

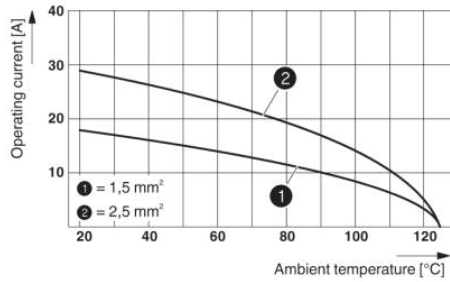
Item	Designation	Description
General		
1584693	CK2,5-ED-BB	Dummy socket for contact carrier with turned CK 2,5-ED... socket contacts. For HC-A../HC-BB../HC-M... series contact inserts.

Tools

1662722	CK2,5-EWZ	Contact removal tool, for turned CK 2,5... contacts
1687419	CRIMPFOX-1,6/2,5-ED-4,0	Crimping pliers, for turned contacts, CK 1.6 ED... and CK 2.5 ED...

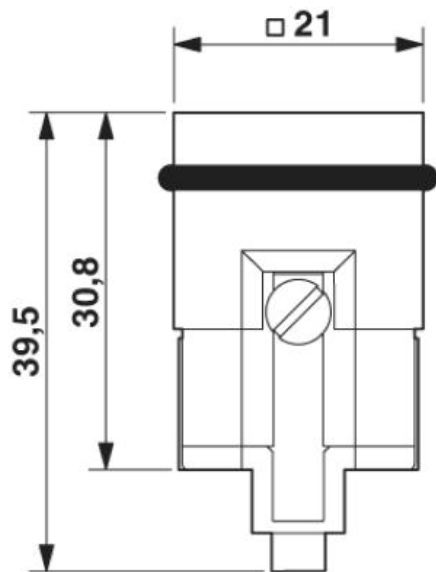
Drawings

Diagram



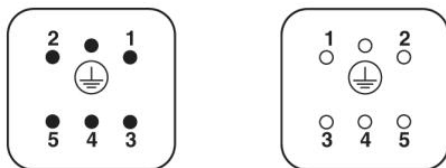
Derating diagram: Series B 5

Dimensioned drawing



Male insert

Schematic diagram



Connection data incl. use groups



Address

Phoenix Contact
Rua Gino Cesaro
BR-05038-140 Sao Paulo-SP / 169 - Água
Branca,Brazil
Phone +55/11/3871-6400
Fax +55/11/3871-6401
<http://www.phoenixcontact.com.br>



© 2012 Phoenix Contact
Technical modifications reserved;