


HC-D 7-TFL-48/O1M20S/PA

Order No.: 1604890

<http://catalog.phoenixcontact.net/phoenix/treeViewClick.do?UID=1604890>

HEAVYCON sleeve housing D7, for single locking latch, height 48 mm, with support, lateral conductor exit, PA

Commercial data	
EAN	 4 017918 881566
sales group	D011
Pack	10 Pcs.
Customs tariff	85472000
Gross weight in pieces	0.02094 KG
Net weight per piece	0.02094 KG
Catalog page information	Page 574 (PC-2011)

Product notes

WEEE/RoHS-compliant since:
01/31/2006

<http://www.download.phoenixcontact.com>
Please note that the data given here has been taken from the online catalog. For comprehensive information and data, please refer to the user documentation. The General Terms and Conditions of Use apply to Internet downloads.

Technical data

General data	
Note	For contact inserts HC-D7, D8, A3, A4, B5, HS2-D7
Design	D7
Height	48 mm
Width	28 mm
Length	26.5 mm

Housing type	Sleeve housings
Locking type	for single locking latch
No. of cable exits	1
Cable exit	Lateral
Screw connection	None
Type of the screw connection	1x M20
Degree of protection for housing	IP54 / IP65 with sealing screw
Ambient temperature (operation)	-40 °C ... 125 °C
Housing material	Polyamide
Housing surface material	PA, light gray
Material lock	PA

Certificates / Approvals

Certification GOST

Certifications applied for:

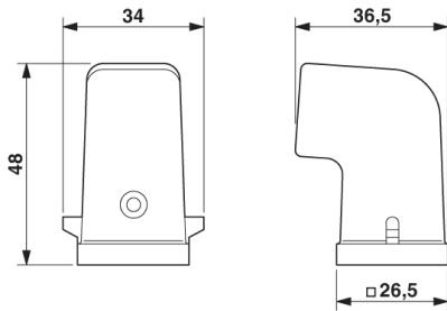
Certification Ex:

Accessories

Item	Designation	Description
General		
1690626	HC-K-KV-M20(8-13)	Plastic screw connection up to 5 bar, thread length: 8 mm, cable diameter: 8 - 13 mm, WAF 24, screw connection: M20
1645998	HC-M-KV-M20(11-16)	Metal screw connection up to 5 bar, thread length: 6 mm, cable diameter: 11 - 16 mm, WAF 27, screw connection: M20
1584017	HC-M-KV-M20(1ASI)	Metal screw connection for an AS-Interface flat-ribbon conductor, thread type M20
1690561	HC-M-KV-M20(9-13)	Metal screw connection up to 5 bar, thread length: 6 mm, cable diameter: 9 - 13 mm, WAF 22, screw connection: M20

Drawings

Dimensioned drawing



Connection data incl. use groups



Address

Phoenix Contact
Rua Gino Cesaro
BR-05038-140 Sao Paulo-SP / 169 - Água
Branca,Brazil
Phone +55/11/3871-6400
Fax +55/11/3871-6401
<http://www.phoenixcontact.com.br>



© 2012 Phoenix Contact
Technical modifications reserved;